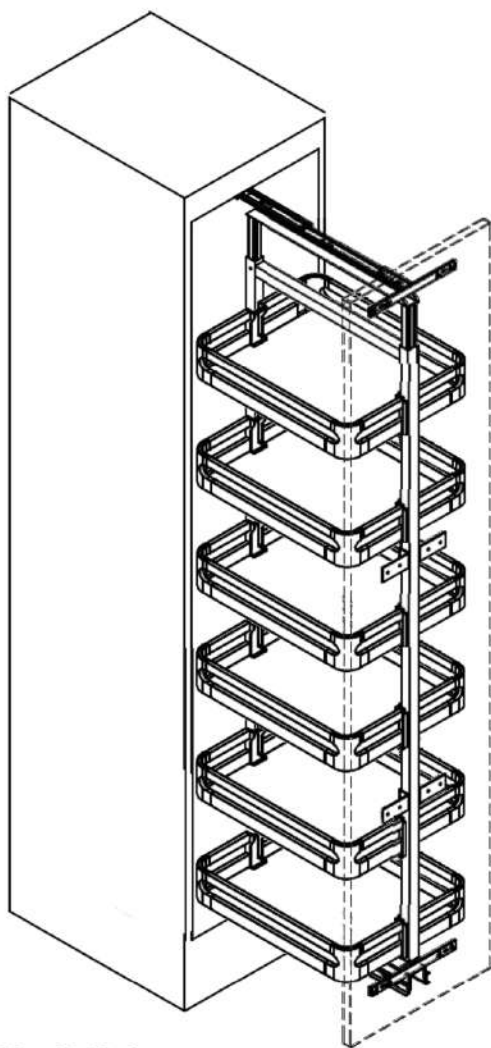


ELITE Pull Out Pantry Adjustable Height - Internal Unit

ELITEPOP-C / ELITEPOP-B / ELITEPOP-P / ELITEPOP-L / ELITEPOP-G

ELITE[®]
STORAGE SOLUTIONS



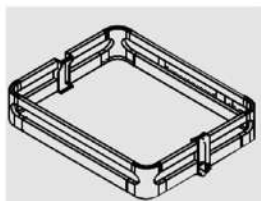
Features

- Five styles of shelf design
- Soft close heavy duty runner
- Three widths to suit standard cabinet widths: 300mm, 400mm, and 450mm
- Adjustable frame heights
LOW: 1400mm - 1700mm
HIGH: 1700mm - 2000mm
VERY HIGH: 1850mm - 2200mm
- Adjustable shelf positions
- Door position adjustments
- Max. 35kg loading capacity
- Full extension maximum accessibility

Note:

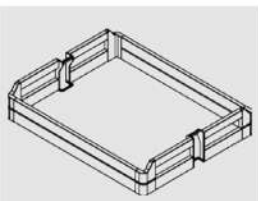
Shelf style in diagram may differ from your model.

Basket Shelf Styles:



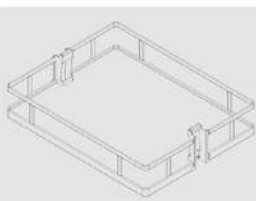
CHEF

Stainless steel construction
Flat easy clean base



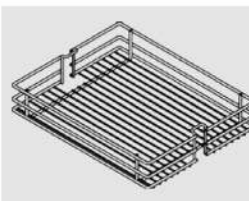
BISTRO

Low profile stainless steel
Flat easy clean base



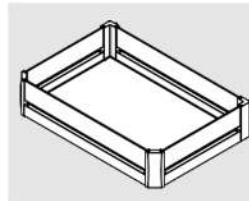
PROVEDORE

Luxury wood base and frame
Optional anti-slip mat



LARDER

Traditional wire frame
High Strength and visibility



GALLEY

Safety glass sides
Luxury wood base

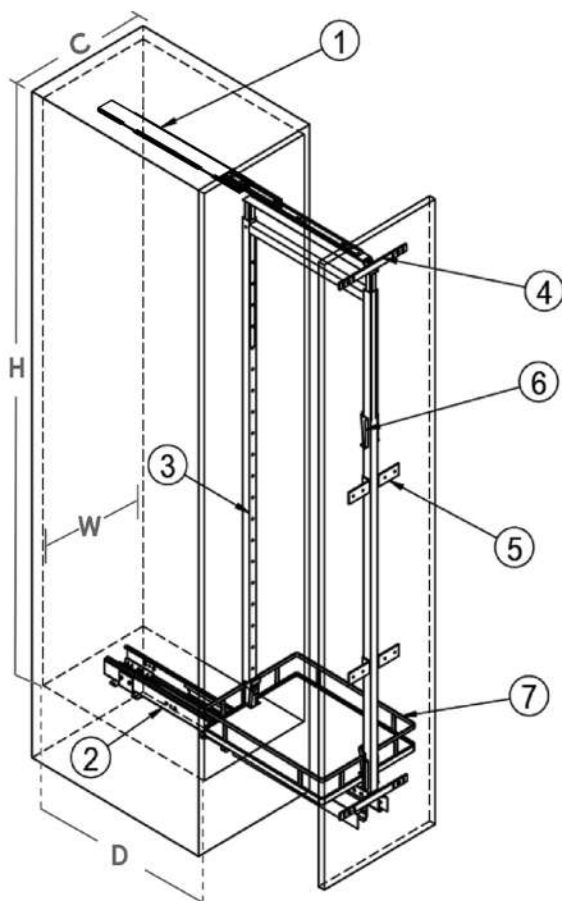
ELITE Pull Out Pantry Adjustable Height - Internal Unit

ELITEPOP-C / ELITEPOP-B / ELITEPOP-P / ELITEPOP-L / ELITEPOP-G



Listing of key parts

- ① 1 x Top Runner
- ② 1 x Bottom Runner
- ③ 1 x Adjustable Main Frame in your selected height range
- ④ 2 x T-Bar
- ⑤ 2 x Saddle Backed Stabiliser
- ⑥ 12 x Basket Anchor
- ⑦ 5/6 x Basket Shelves in your selected style and size



Listing of fixing hardware

28 x ST4*14 Pan Head Screws

- 6 pcs for fixing Top Runner to cabinet ceiling
- 8 pcs for fixing Bottom Runner to cabinet floor
- 12 pcs for fixing T-Bar to cabinet door
- 2 pcs spare screws



8 x ST4*14 Countersunk Head Screws

- 8 pcs for fixing Saddle Backed Stabilisers to door

8 x M6*16 Hex Bolts

- 6 pcs for fixing T-Bar to frame
- 2 pcs for adjusting height of Frame



2 x M8*20 Hex Bolts

- 2 pcs for adjusting position of door
- Supplid affixed to Frame base

Model Dimensions

Model	300mm	400mm	450mm
C Cabinet Width (external)	Suits 300mm standard width cupboard	Suits 400mm standard width cupboard	Suits 450mm standard width cupboard
W Cabinet Width (internal)	Minimum of 260mm to fit tray width of 250mm	Minimum of 360mm to fit tray width of 350mm	Minimum of 410mm to fit tray width of 400mm
H Cabinet Height (internal)	Adjustable frame options: Low: 1400mm - 1700mm High: 1700mm - 2000mm Very High: 1850mm - 2200mm		
D Cabinet Depth (internal)	Minimum cabinet depth of 482mm		

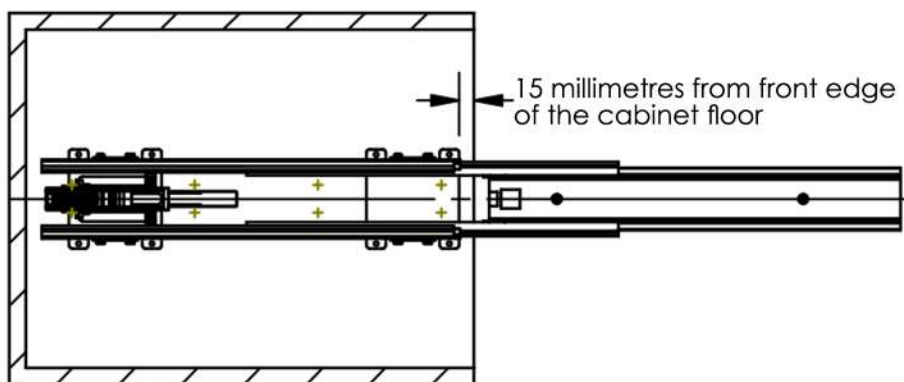
ELITE Pull Out Pantry Adjustable Height - Internal Unit

ELITEPOP-C / ELITEPOP-B / ELITEPOP-P / ELITEPOP-L / ELITEPOP-G

ELITE[®]
STORAGE SOLUTIONS

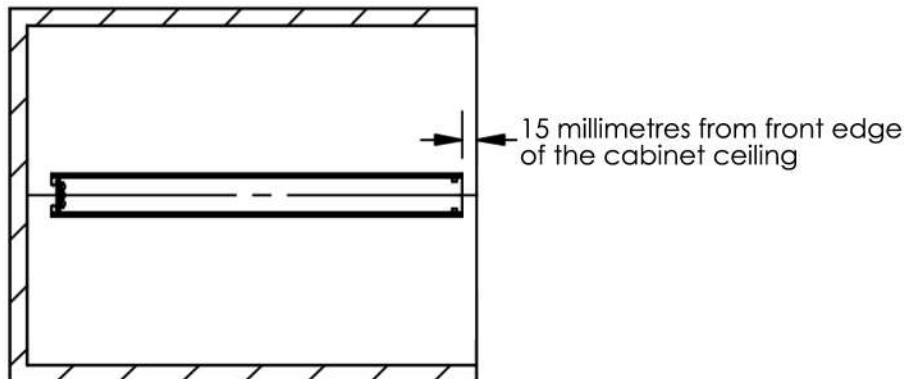
Step One – Fix Bottom Runner

- ① Position runner on centre axis of cabinet floor 15mm from front edge
- ② Ensure the runner is square with cabinet and centred
- ③ Securely fix with 8 x ST4*14 Pan Head Wood Screws
- ④ Check that when runner is pulled out it engages with the soft close mechanism



Step Two – Fix Top Runner

- ① Position runner on centre axis of cabinet ceiling 15mm from front edge
- ② Ensure the runner is square with cabinet and centred;
and exactly aligned with the bottom runner
- ③ Extend runner out to expose to six fixing holes
- ④ Securely fix with 6 x ST4*14 Pan Head Wood Screws



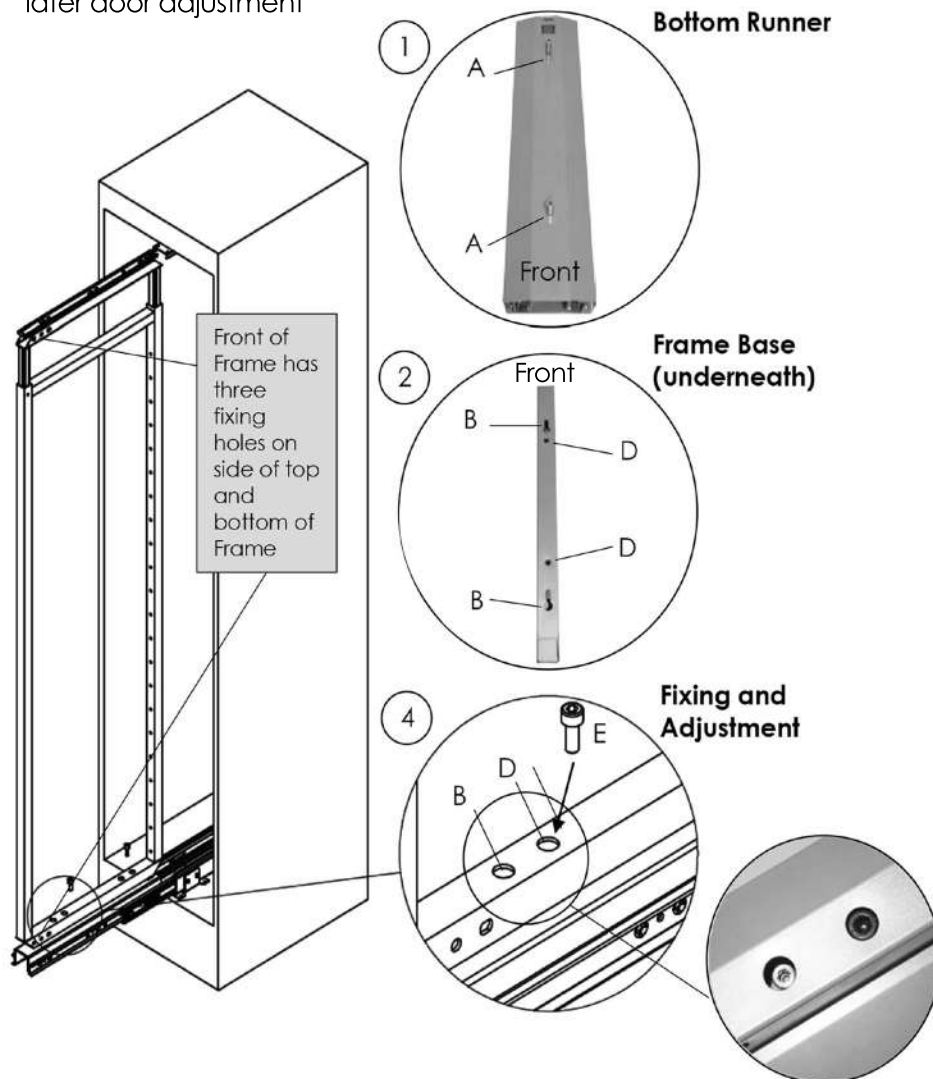
ELITE Pull Out Pantry Adjustable Height - Internal Unit

ELITEPOP-C / ELITEPOP-B / ELITEPOP-P / ELITEPOP-L / ELITEPOP-G

ELITE[®]
STORAGE SOLUTIONS

Step Three – Fix Frame to Bottom Runner

- ① Loosen two Riser Anchor Nuts (A) on the Bottom Runner with hex key
- ② Place Frame holes (B) on riser anchor nuts (A) and slide towards rear so Riser Anchor Nuts (A) are visible through the Frame holes (B)
- ③ Adjust Frame position so its front is aligned with front of cabinet
- ④ Tighten Riser Anchor Nuts (A) through Frame hole (B) with hex key, so Frame is affixed firmly to Bottom Runner. If your frame is not solidly affixed to your bottom runner, it is not installed correctly and the pantry unit will not function properly
- ⑤ Ensure M8*20 Adjustment Bolts (E) are in place in Frame hole (D) for later door adjustment



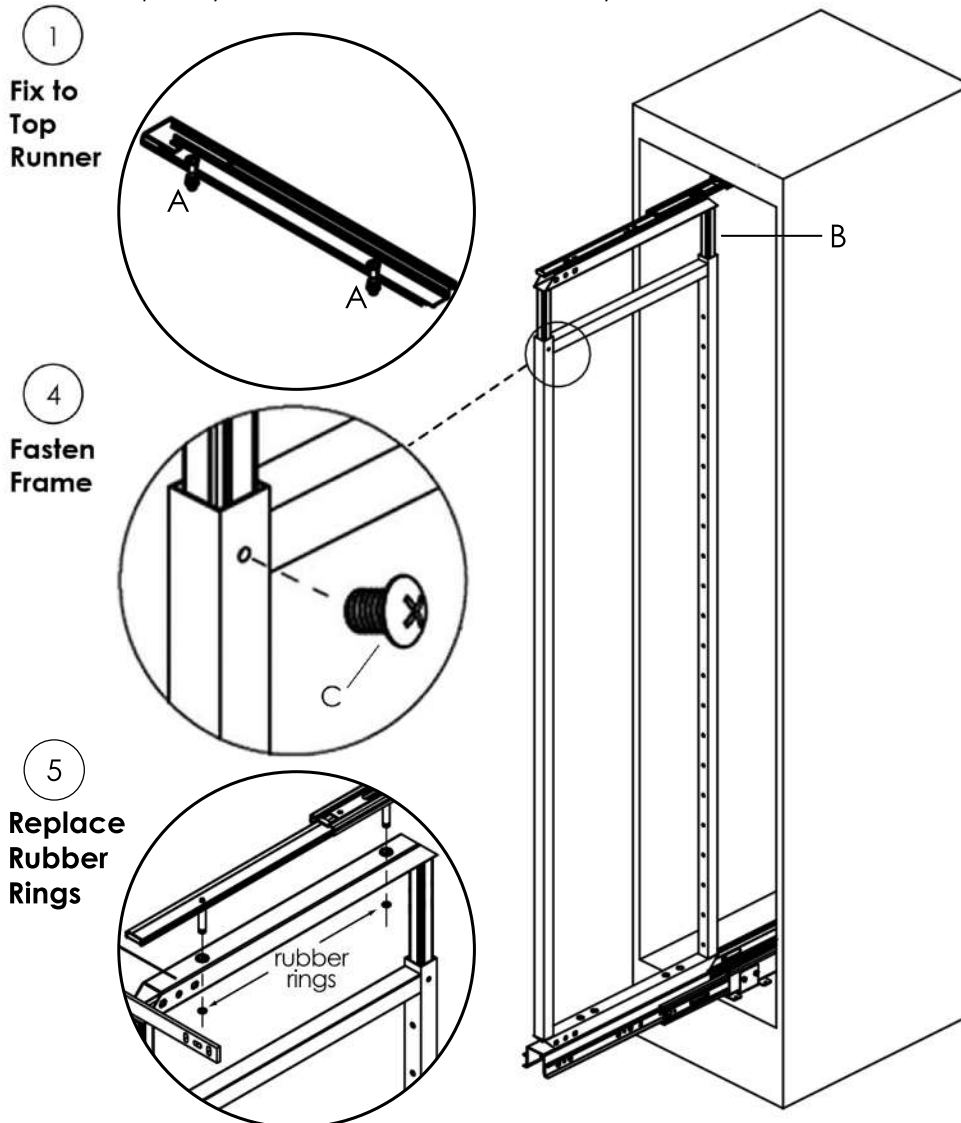
ELITE Pull Out Pantry Adjustable Height - Internal Unit

ELITEPOP-C / ELITEPOP-B / ELITEPOP-P / ELITEPOP-L / ELITEPOP-G

ELITE[®]
STORAGE SOLUTIONS

Step Four – Fix Frame to Top Runner

- ① Ensure Top Runner is fully assembled with Top Runner Anchors (A)
- ② Remove rubber rings from Top Runner Anchors (A)
- ③ Slide top of Frame (B) up so the Top Runner Anchors (A) insert through the holes in the top of the Frame
- ④ Fasten the height of the top of Frame (B) in place with 2 x M6*16 (C). The top of the Frame should be about 2mm from the Top Runner.
- ⑤ Replace the rubber rings over the Top Runner Anchors (A). Your pantry frame should now be securely installed.

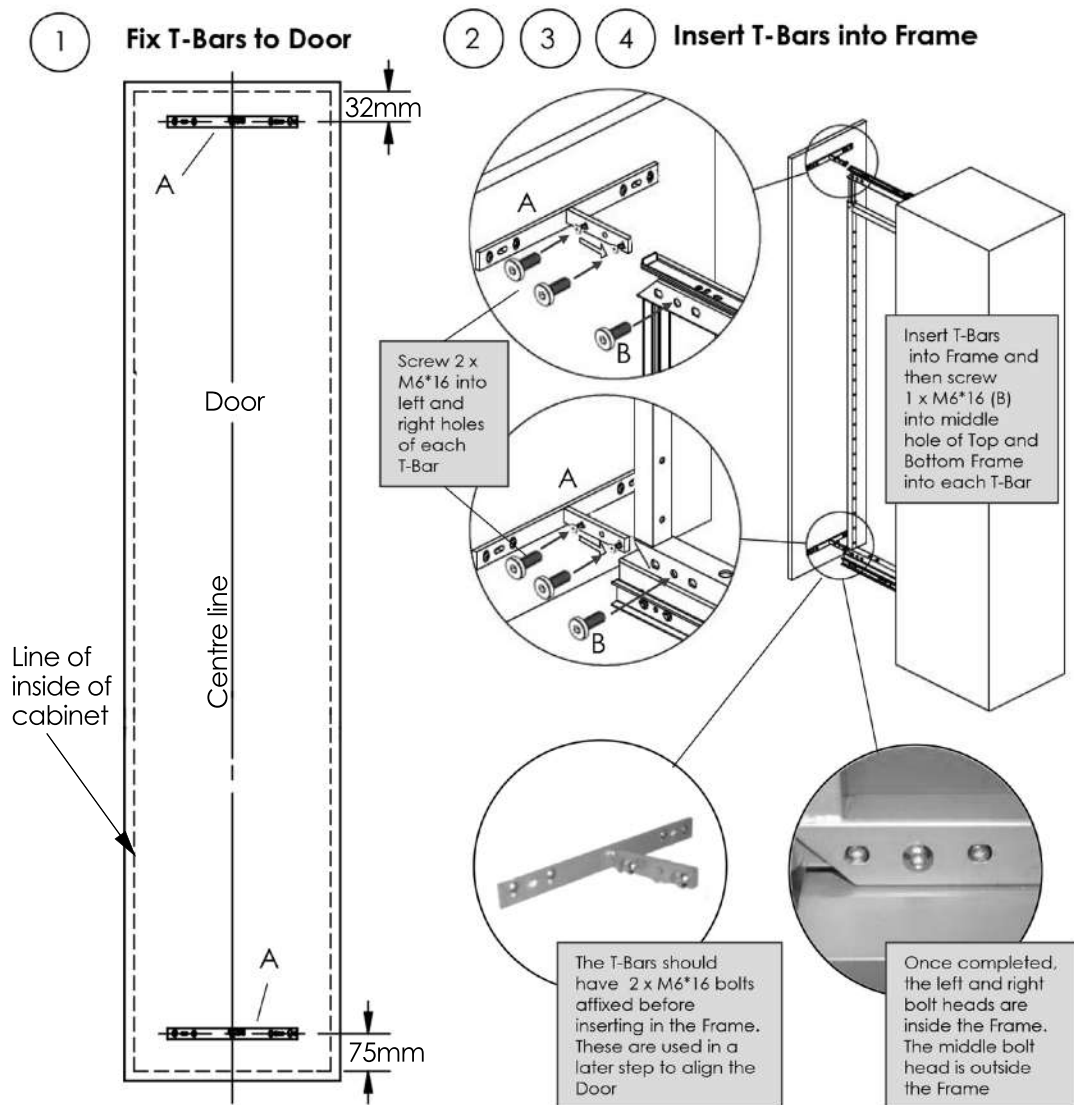


ELITE Pull Out Pantry Adjustable Height - Internal Unit

ELITEPOP-C / ELITEPOP-B / ELITEPOP-P / ELITEPOP-L / ELITEPOP-G

Step Five – Fix Frame to Cabinet Door

- ① Fix each T-Bar (A) to Door with 6 x ST4*14 Pan Head Screws. Position T-Bars as per diagram
- ② Fix 2 x M6*16 Hex Bolts onto Top T-Bar and Bottom T-Bar as per diagram
- ③ Slide T-Bars (A) into frame until the Hex Bolt heads are visible and aligned with the side holes of Frame
- ④ Fix a M6*16 Hex Bolt (B) through the middle side hole of Frame for the Top and Bottom T-Bar (you may need a friend to hold the door steady)
- ⑤ In the next step you can adjust the door position to align with cabinet



ELITE Pull Out Pantry Adjustable Height - Internal Unit

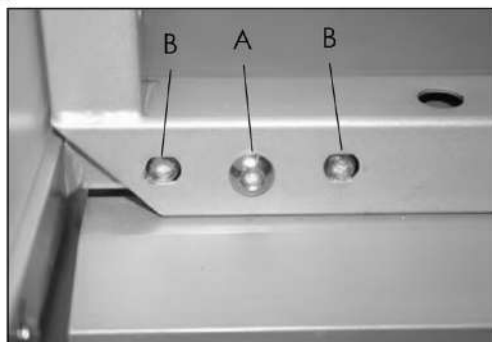
ELITEPOP-C / ELITEPOP-B / ELITEPOP-P / ELITEPOP-L / ELITEPOP-G

ELITE[®]
STORAGE SOLUTIONS

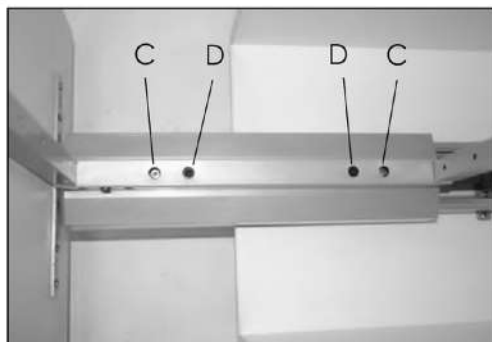
Step Six – Door Alignment and Stabilisation

- ① **Horizontal Door Adjustment:** Loosen (but do not remove) the middle Hex Bolt on Top and Bottom T-Bars (A) (see Step 5). Then use the left and right Hex Bolts (B) to position the Door horizontally. When the horizontal position is correct, tighten the middle Hex Bolts to fasten the Door to the Frame
- ② **Vertical Door Adjustment:** Loosen (but do not remove) the Riser Anchor Nuts (C) (see Step 3) on the Base Runner. Then use the M8*20 Adjustment Bolts (D) (see Step 3) to position the Door vertically. When the vertical position is correct, tighten Riser Anchor Nuts (C).
- ③ **Affix Saddle Backed Stabilisers:** (Note: You may wish to do this after Step 7 so the position of the Stabilisers does not interfere with the pantry baskets.) Affix the two Saddle Backed Stabilisers (E) over the Frame front vertical bar to the Door to stabilise the Door using 4 x ST4*14 Countersunk Head Screws for each Stabiliser

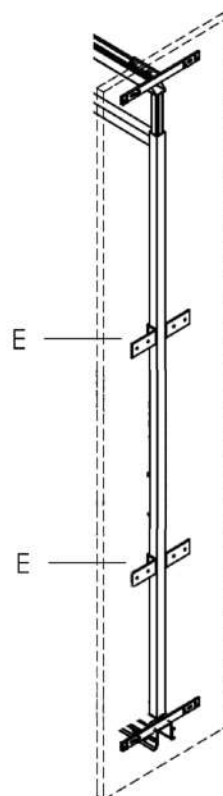
① Horizontal Door Adjustment



② Vertical Door Adjustment



③ Affix Stabilisers



ELITE Pull Out Pantry Adjustable Height - Internal Unit

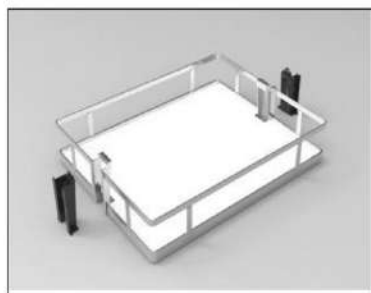
ELITEPOP-C / ELITEPOP-B / ELITEPOP-P / ELITEPOP-L / ELITEPOP-G

ELITE[®]
STORAGE SOLUTIONS

Step Seven – Installation of Pantry Baskets

- ① **Clip Basket Anchors to Baskets:** Carefully attach the Basket Anchors (A) to the Baskets as per the diagram (shelf style in diagram may differ from your model)
- ② **Clip Baskets to Frame:** Carefully attach each Basket to the Frame by first inserting one attached Basket Anchor into the Frame and then gently lowering or raising the other side carefully until its Basket Anchor clips in. Do not force the Baskets into place – they should be gently inserted one side at a time and the other side raised or lowered until it clips into place.

① Clip Anchors to Baskets

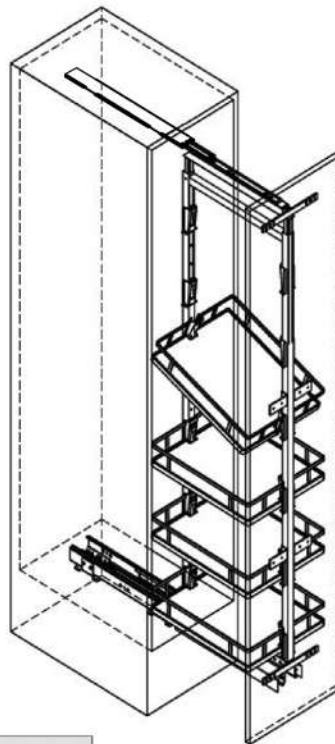


Carefully clip each Basket Anchor (A) onto the Anchor cavities on each Basket. Do not use force – gently clip it on.



With the Basket Anchors clipped on, the Basket is ready to attach to the Pull Out Pantry Frame.

② Clip Baskets to Frame



Carefully insert Baskets into Frame on an angle. Clip Anchor in one side, then gently lower or raise the other side until it clips in – do not force the Baskets into place.

Note:
Shelf style in diagram may differ from your model.

Important:

It is recommended not to exceed 5kg per basket shelf and 35kg in total.