


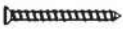
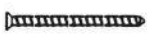








Domestique 40L Triple Slide Out Concealed Waste Bin - 450mm Cupboard

ELITE®

STORAGE SOLUTIONS

Contents List

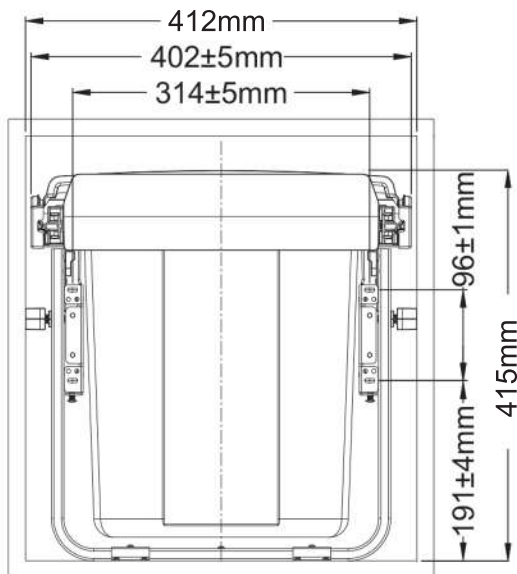
	Item Name	Image	Quantity
1	Saddle Brackets		4 PCS
2	PA4X16		16 PCS
3	PA4X25		6 PCS
4	KA4X50		4 PCS
5	KA4X60		4 PCS
6	Side Stabiliser		4 PCS
7	Nuts & Bolts for Door Mount Kit		6 PCS
8	TF04X14 Screws		8 PCS
For Door Mount			
9	M6x16mm		2 PCS
10	M5x10mm		6 PCS
11	Door connector (PRE-ATTACHED TO THE FRAME IN SOME MODELS)		2 PCS

Models

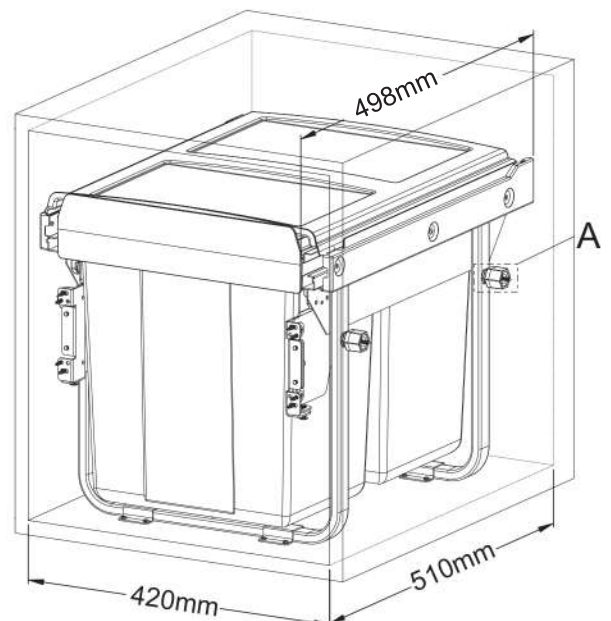
ELITEPOB-450-3-1215-D

- Triple 40L pull-out - 1x20L + 2x10L
- Suits standard 450mm wide cabinet (external)
- Includes integrated door mount to attach frame to cabinet door

Dimensions



Unit Dimensions



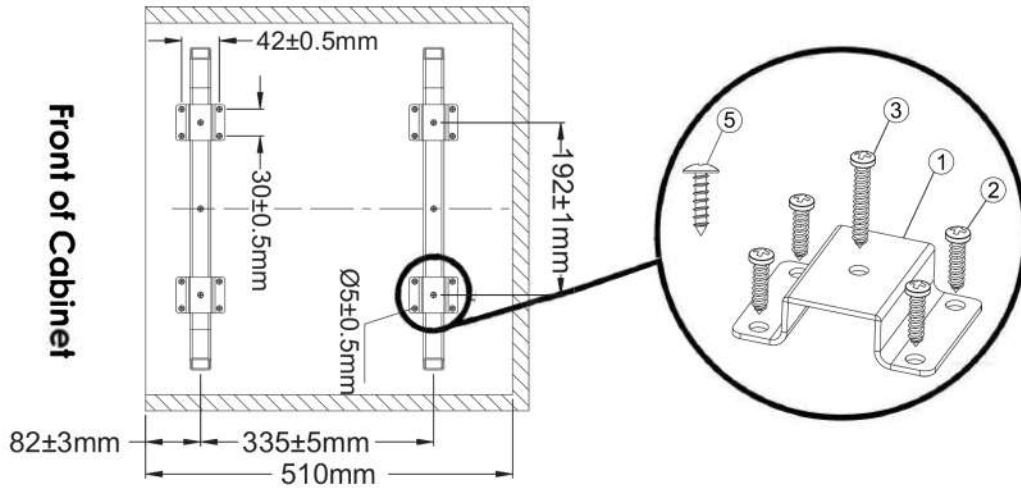
Minimum Cabinet Interior
Dimension Requirements

Domestique 40L Triple Slide Out Concealed Waste Bin - 450mm Cupboard

ELITE®

STORAGE SOLUTIONS

STEP 1: Mount frame to cabinet base



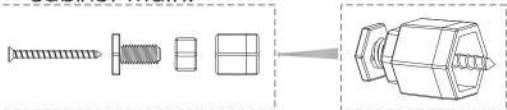
Position frame on cabinet floor (see diagram)

Affix saddles (1) to frame using screws (2) and screws (3) – (see diagram)

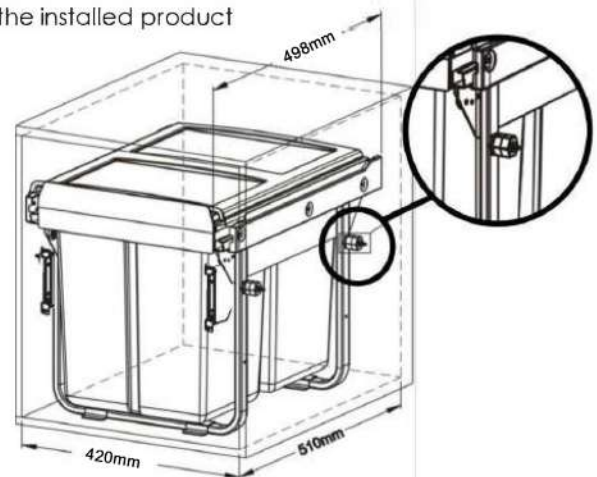
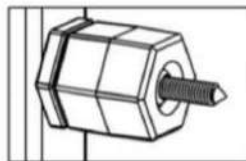
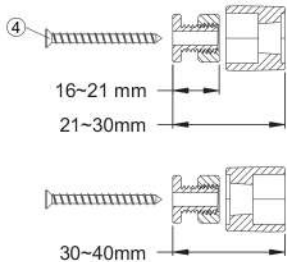
STEP 2: Affixing side stabilisers

NOTE: It is recommended to install the stabilisers to enhance the stability of the installed product

Adjust the stabiliser width to suit cabinet width.



Attach stabiliser to frame using part 4 or part 5 screw to suit cabinet



STEP 3: Affixing door

Mounting the cabinet door to the frame allows the bin to slide out when the cabinet door is pulled out. The optional door mount kit is included in the box (if you purchased the door mount version).

1. Lift the locking levers and remove the front part of the runner
2. Put the cabinet door on a flat surface, front facing down. Place the front part of the runner with the door connector on the top of the door
3. Measure and make sure the door will be aligned with the cabinet before drilling the hole and screw the door connector onto the door.
4. Put the front part of the runner (with the door attached) back to the frame, push it back into the runner until it clicks.
5. Align the door to the cabinet using the adjustment screws.

