





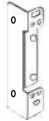


Domestique 40L Twin Slide Out Concealed Waste Bin - 400mm Cupboard

Contents List

	Item Name	Image	Quantity
1	Saddle Brackets		4 PCS
2	PA4X16		16 PCS
3	PA4X25		6 PCS
4	TF04X14 Screws		8 PCS
For Door Mount			
5	M6x16mm		2 PCS
6	M5x10mm		6 PCS
7	Door connector (PRE-ATTACHED TO THE FRAME IN SOME MODELS)		2 PCS

Models

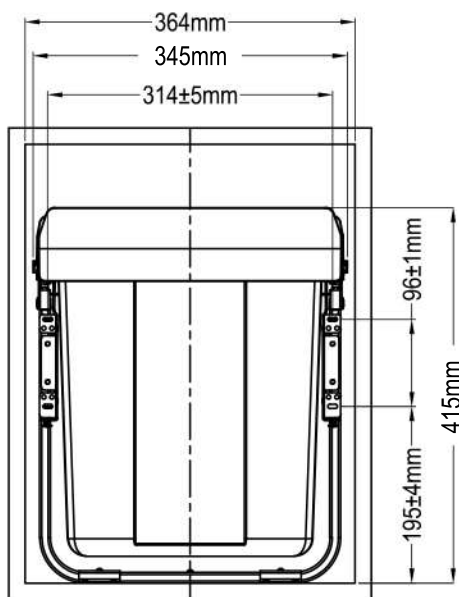
ELITEPOB-400-2-0217

- Twin 40L pull-out – 2 x 20L
- Suits standard 400mm wide cabinet (external)
- Does not include integrated door mount
- 25kg weight limit

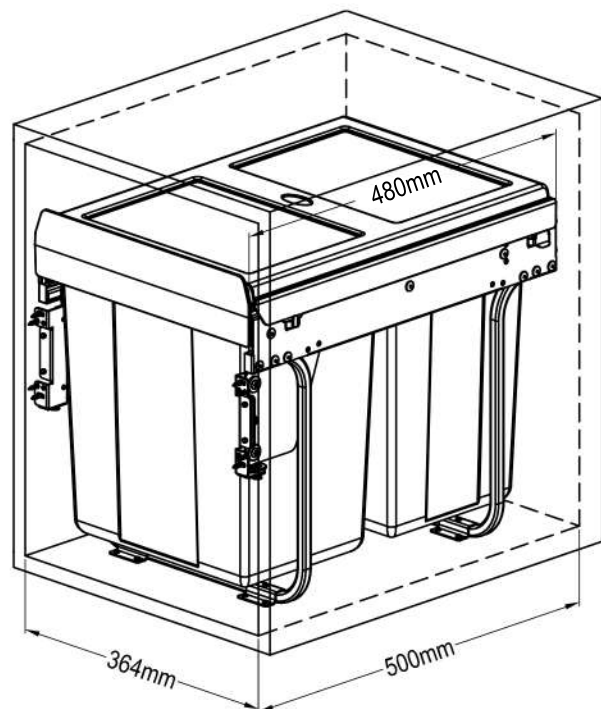
ELITEPOB-400-2-0217-D

- Twin 40L pull-out – 2 x 20L
- Suits standard 400mm wide cabinet (external)
- Includes integrated door mount to attach frame to cabinet door
- 25kg weight limit

Dimensions



Unit Dimensions

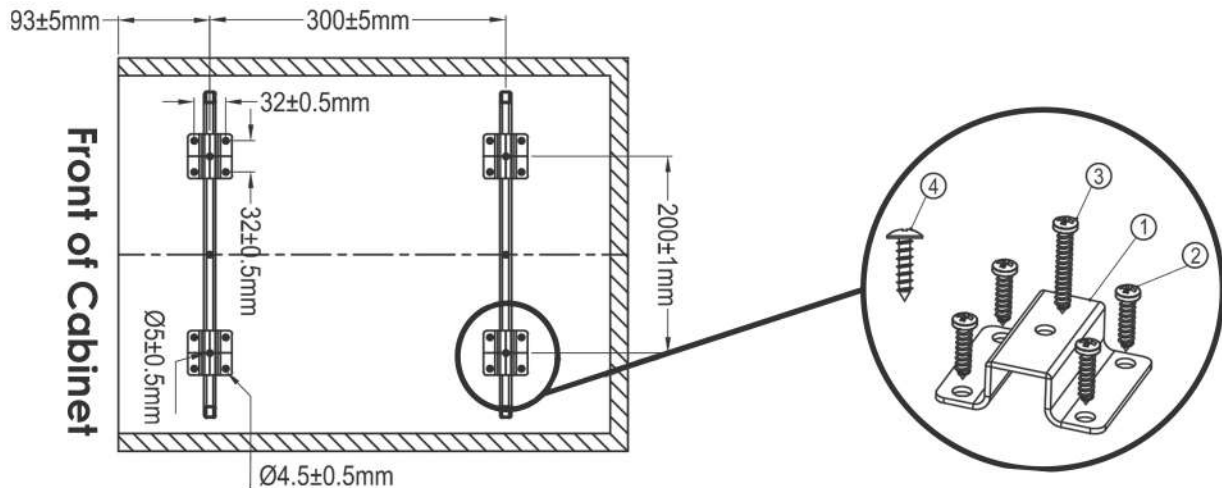


Minimum Cabinet Interior
Dimension Requirements

Domestique 40L Twin Slide Out Concealed Waste Bin - 400mm Cupboard

ELITE[®]
STORAGE SOLUTIONS

Mount frame to cabinet base



Affixing door (Model ELITEPOB-400-2-0217-D only)

Mounting the cabinet door to the frame allows the bin to slide out when the cabinet door is pulled out. The optional door mount kit is included in the box (if you purchased the door mount version).

1. Lift the locking levers and remove the front part of the runner
2. Put the cabinet door on a flat surface, front facing down. Place the front part of the runner with the door connector on the top of the door
3. Measure and make sure the door will be aligned with the cabinet before drilling the hole and screw the door connector onto the door.
4. Put the front part of the runner (with the door attached) back to the frame, push it back into the runner until it clicks.
5. Align the door to the cabinet using the adjustment screws.

