




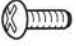



# Domestique 30L Twin Slide Out Concealed Waste Bin - 300mm Cupboard

# ELITE®

STORAGE SOLUTIONS

## Contents List

	Item Name	Image	Quantity
1	Saddle Brackets		4 PCS
2	PA4X16		16 PCS
3	PA4X25		6 PCS
4	TF04X14 Screws		8 PCS
<b>For Door Mount</b>			
5	M6x16mm		2 PCS
6	M5x10mm		6 PCS
7	Door connector (PRE-ATTACHED TO THE FRAME IN SOME MODELS)		2 PCS

## Models

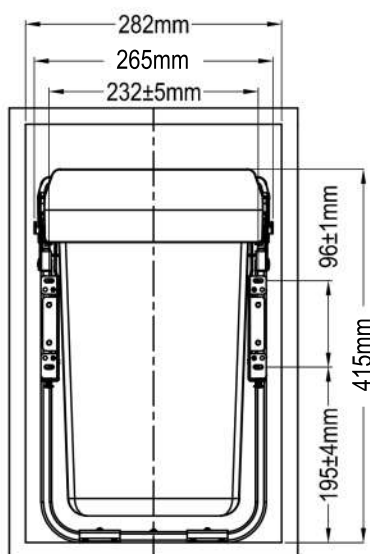
### ELITEPOB-300-2-0215

- Twin 30L pull-out – 1 x 20L + 1 x 10L
- Suits standard 300mm wide cabinet (external)
- Does not include integrated door mount
- 25kg weight limit

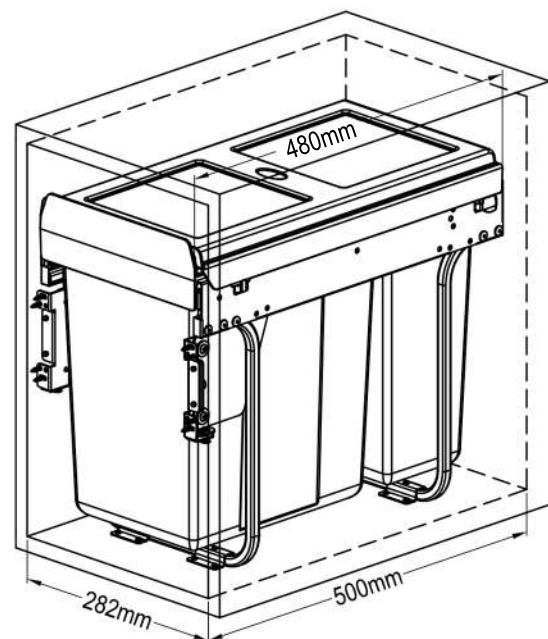
### ELITEPOB-300-2-0215-D

- Twin 30L pull-out – 1 x 20L + 1 x 10L
- Suits standard 300mm wide cabinet (external)
- Includes integrated door mount to attach frame to cabinet door
- 25kg weight limit

## Dimensions



Unit Dimensions

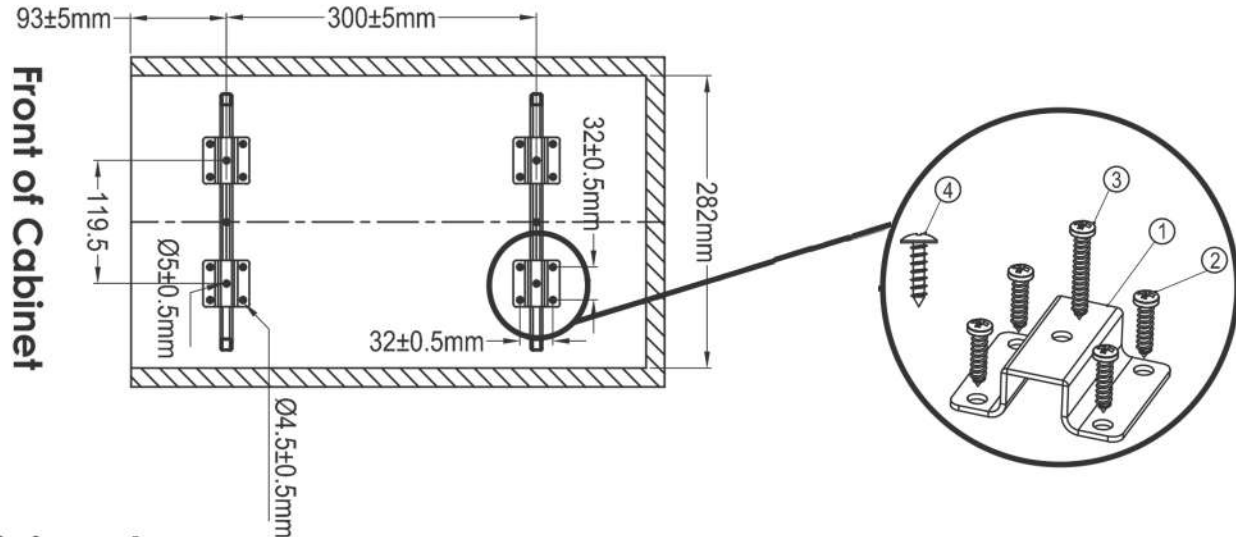


Minimum Cabinet Interior  
Dimension Requirements

# Domestique 30L Twin Slide Out Concealed Waste Bin - 300mm Cupboard

**ELITE**<sup>®</sup>  
STORAGE SOLUTIONS

## Mount frame to cabinet base



## Affixing door (Model ELITEPOB-300-2-0215-D only)

Mounting the cabinet door to the frame allows the bin to slide out when the cabinet door is pulled out. The optional door mount kit is included in the box (if you purchased the door mount version).

- . Lift the locking levers and remove the front part of the runner
- . Put the cabinet door on a flat surface, front facing down. Place the front part of the runner with the door connector on the top of the door
- . Measure and make sure the door will be aligned with the cabinet before drilling the hole and screw the door connector onto the door.
- . Put the front part of the runner (with the door attached) back to the frame, push it back into the runner until it clicks.
- . Align the door to the cabinet using the adjustment screws.

