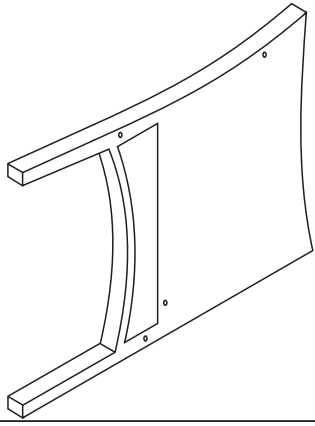


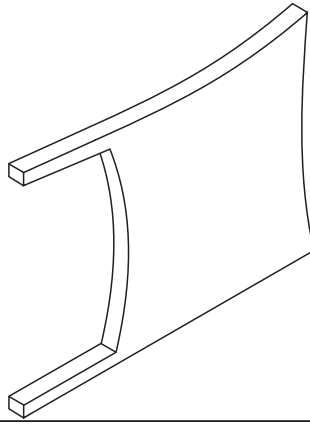
NOTE:50% TIGHTEN BEFORE FIXING ALL BOLTS

A



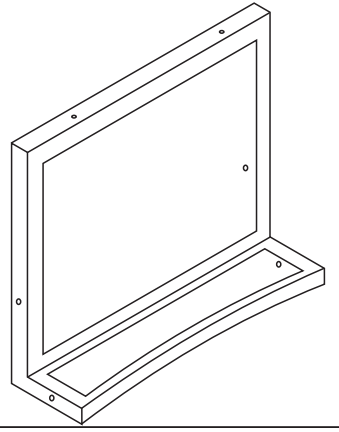
X4

B



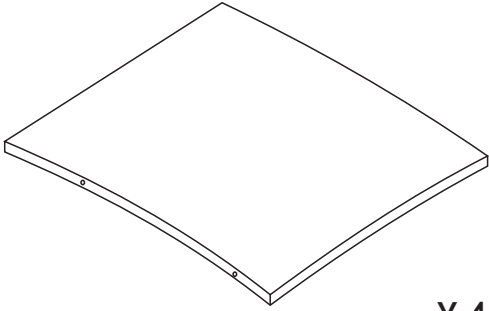
X4

C



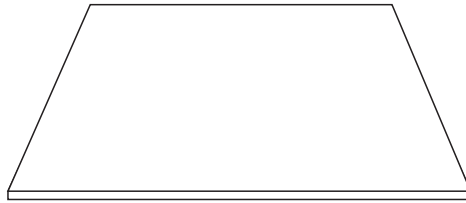
X4

D



X4

E



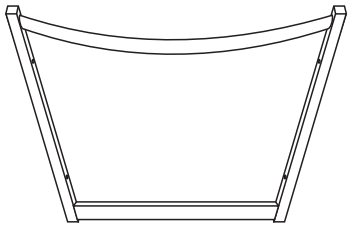
X1

F



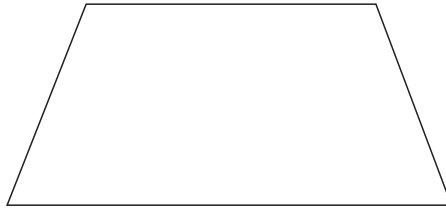
X2

G



X2

H



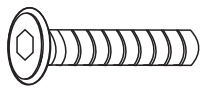
X1

I



X1

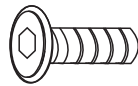
J



M 6X35

X48

K

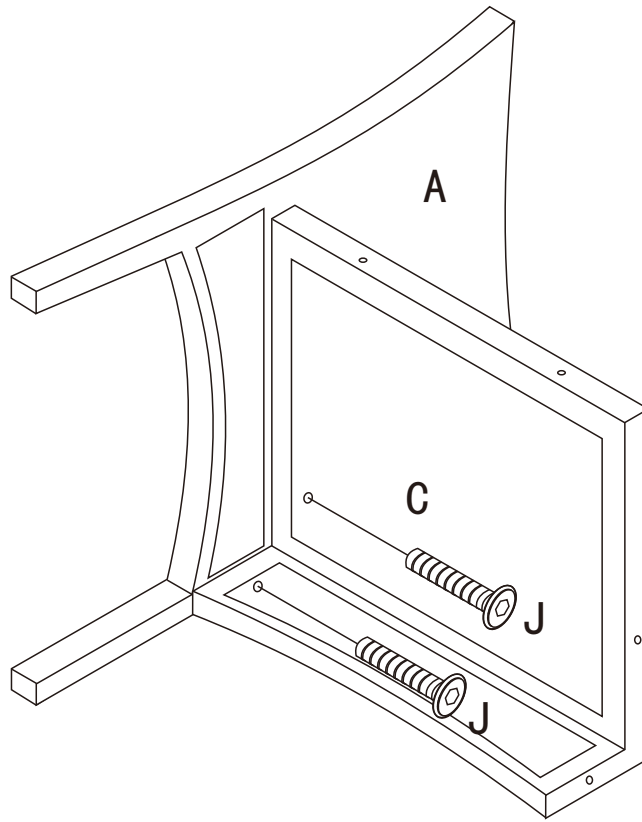


M 6X15

X4

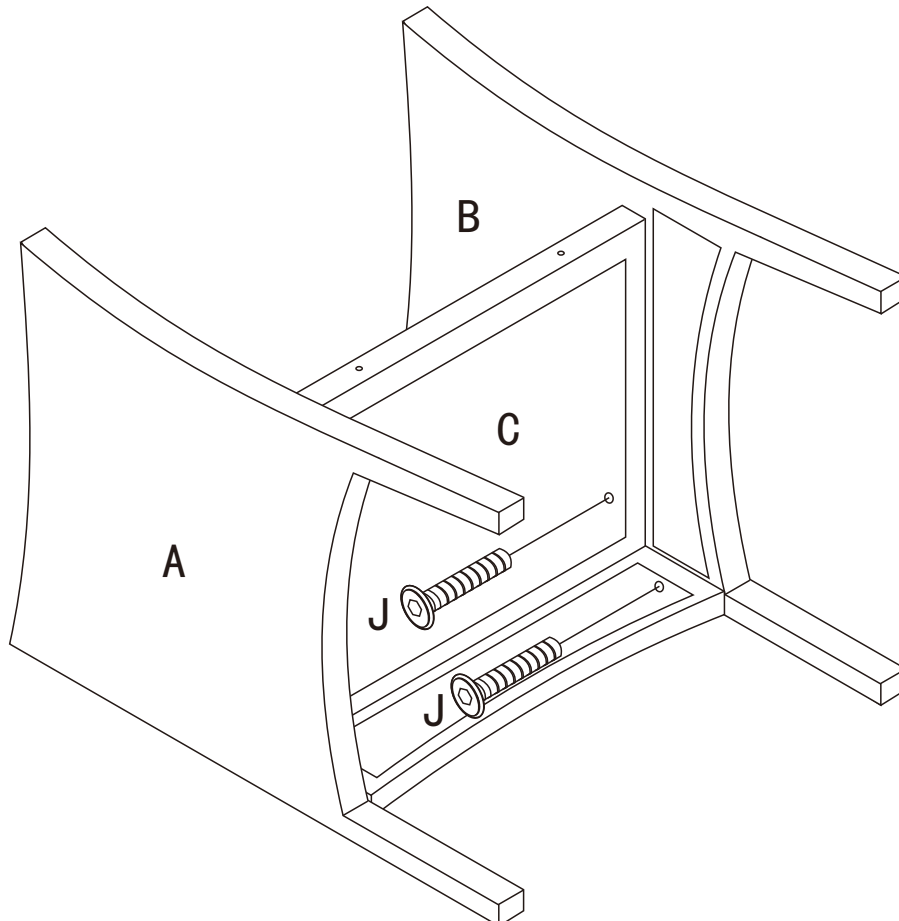
1

NOTE:50% TIGHTEN BEFORE FIXING ALL BOLTS



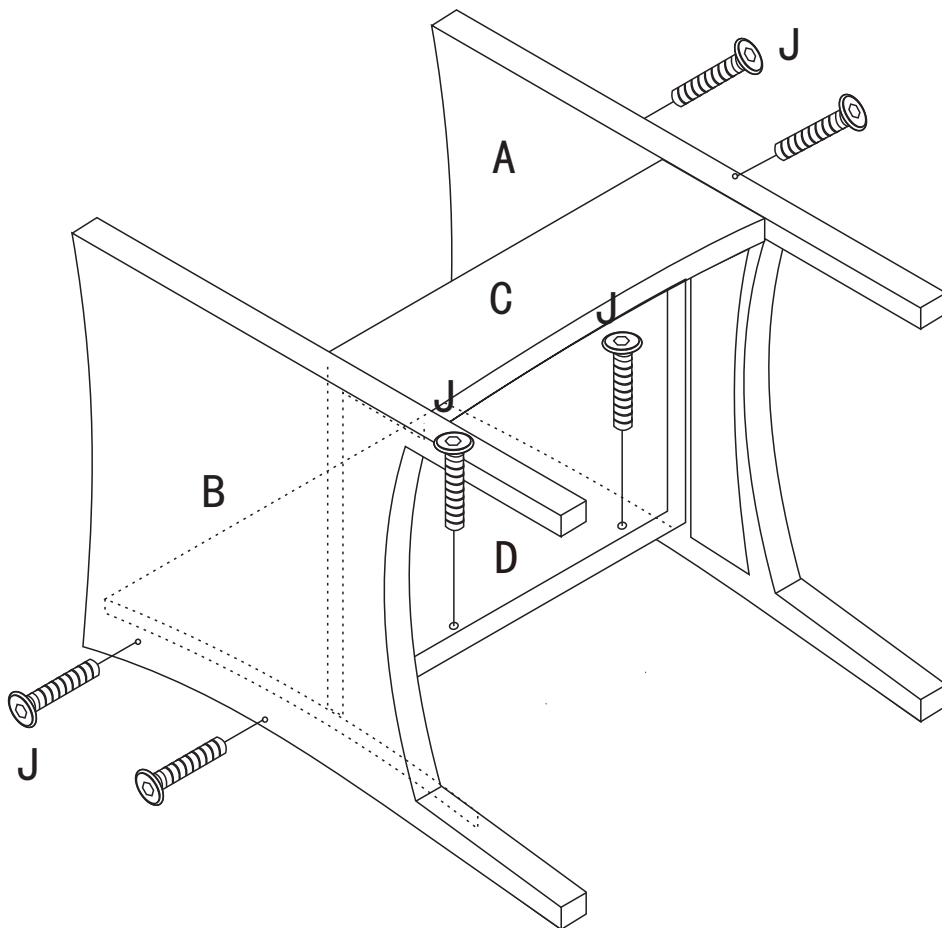
2

NOTE:50% TIGHTEN BEFORE FIXING ALL BOLTS



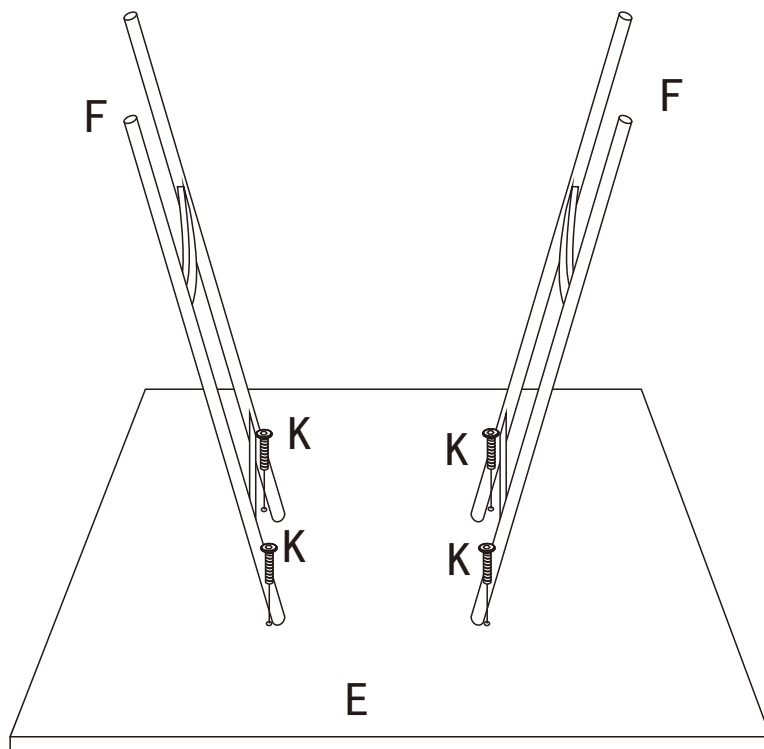
3

NOTE:50% TIGHTEN BEFORE FIXING ALL BOLTS



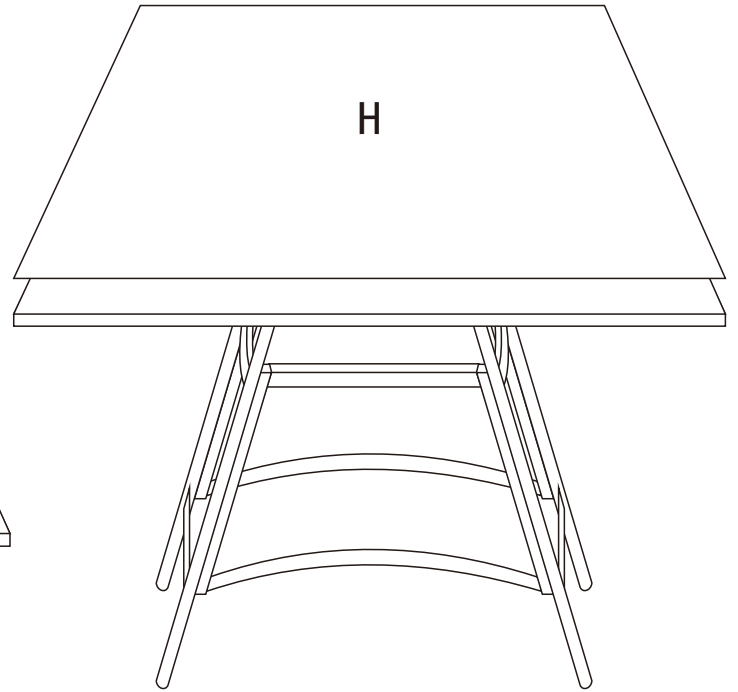
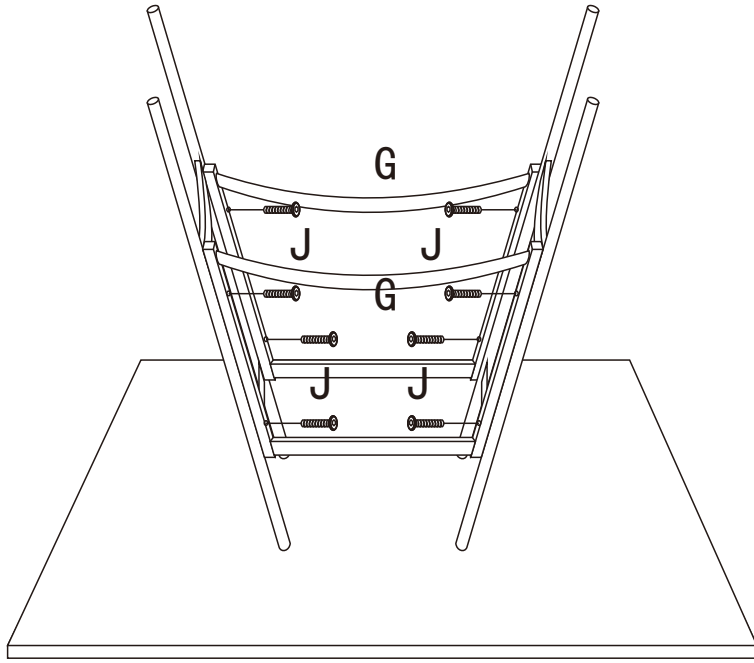
4

NOTE:50% TIGHTEN BEFORE FIXING ALL BOLTS



5

NOTE:50% TIGHTEN BEFORE FIXING ALL BOLTS



6

NOTE:50% TIGHTEN BEFORE FIXING ALL BOLTS

