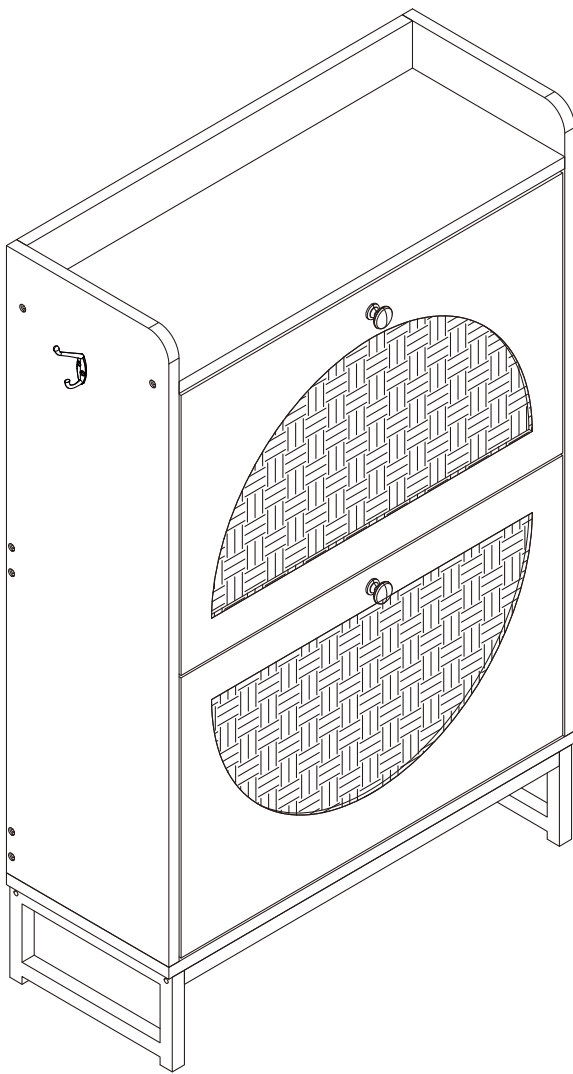
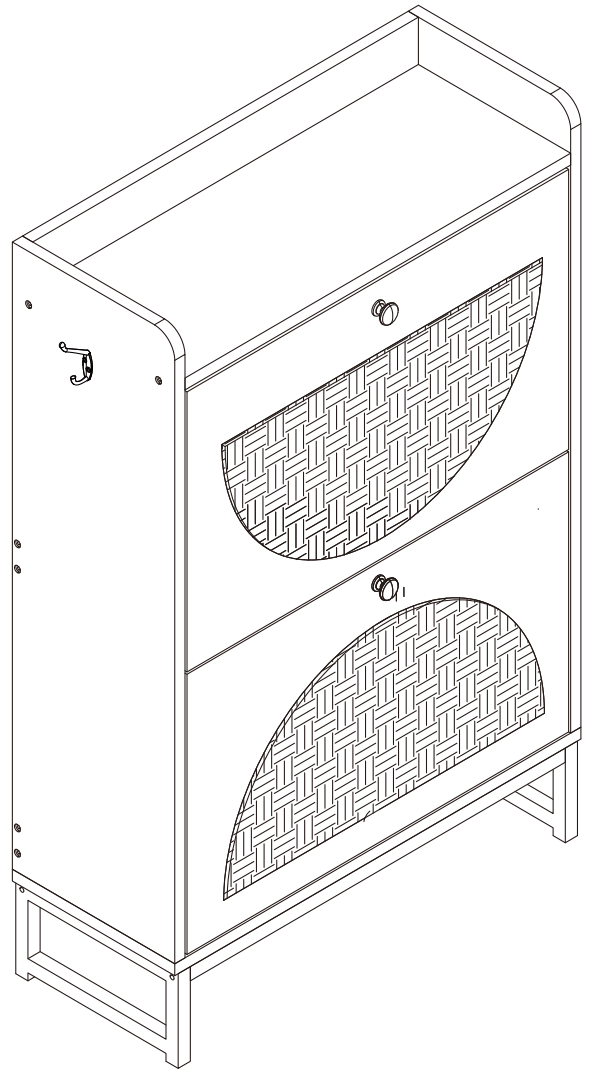


ASSEMBLY INSTRUCTIONS



OR



THIS INSTRUCTIONS CONTAINS IMPORTANT SAFETY INFORMATION.
PLEASE READ BEFORE ASSEMBLY AND KEEP FOR FUTURE REFERENCE

IMPORTANT NOTICE

- This product contains small components, please ensure that they are kept away from small children.
- THIS INSTRUCTION CONTAINS IMPORTANT SAFETY INFORMATION.
PLEASE READ IT BEFORE ASSEMBLY AND KEEP IT FOR FUTURE REFERENCE.
- Read each step carefully. It's very important that each step of instruction is performed in the correct order.
- If these steps are not followed in sequence, assembly difficulties will occur.
- Make sure all parts are included. Most parts are labeled or stamped on the raw edge.
- Work in a spacious area, near the place the unit will be used.
- Do not use power tools to assemble your furniture. Power tools may strip or damage the parts.
- Move your new furniture carefully, with two people lifting and carrying the unit to its new location.
- Don't push, drag or pull your furniture(especially on carpet)



If you have any questions regarding product specifications, please check the product number, serial number, and order number of each product, and contact the place of purchase or the Customer Service Center as below.

After-sales service email address: vikker1976@gmail.com

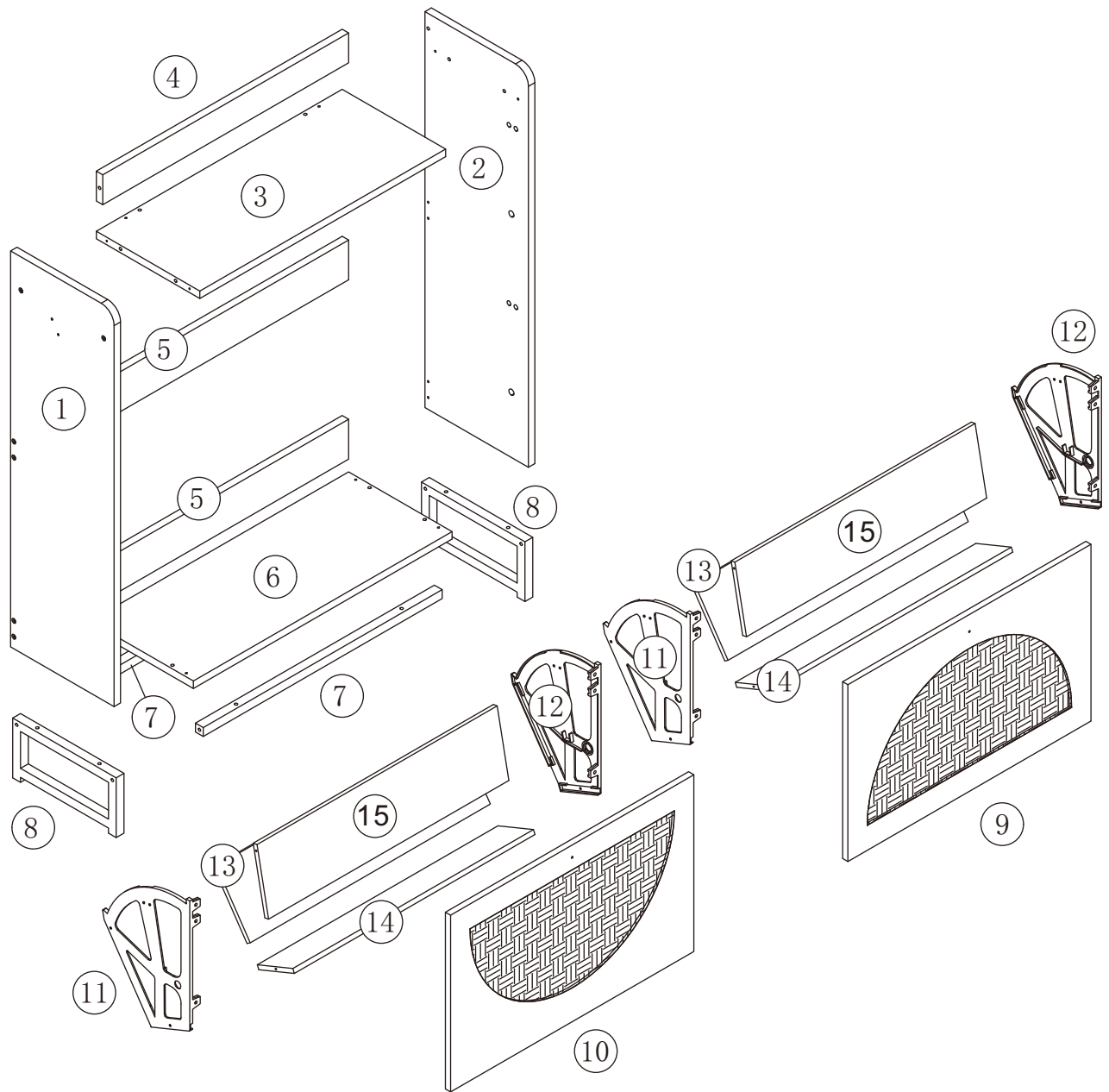
WARNING




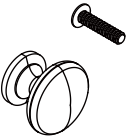
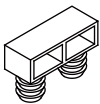



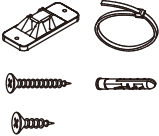

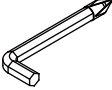

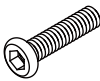


**Dangers to children from furniture tip-over.
To avoid the risk of furniture tipping over.:**

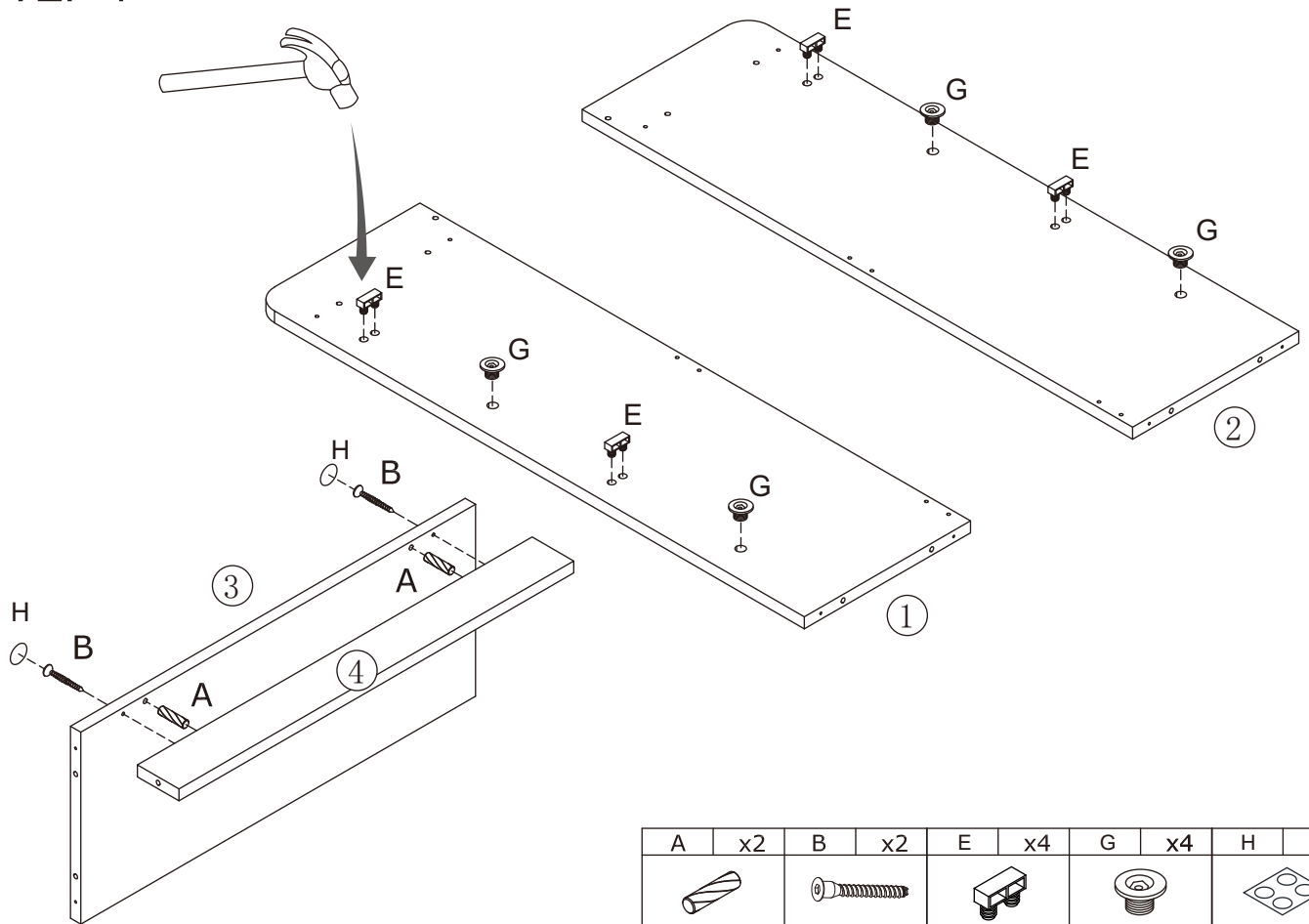
- ALWAYS install tip-over restraint provided.
- Don't put a TV on this product.
- Don't allow children to stand, climb or hand on drawers, doors, or shelves.
- Don't open more than one drawer at a time.
- Place heaviest items in the lowest drawers.










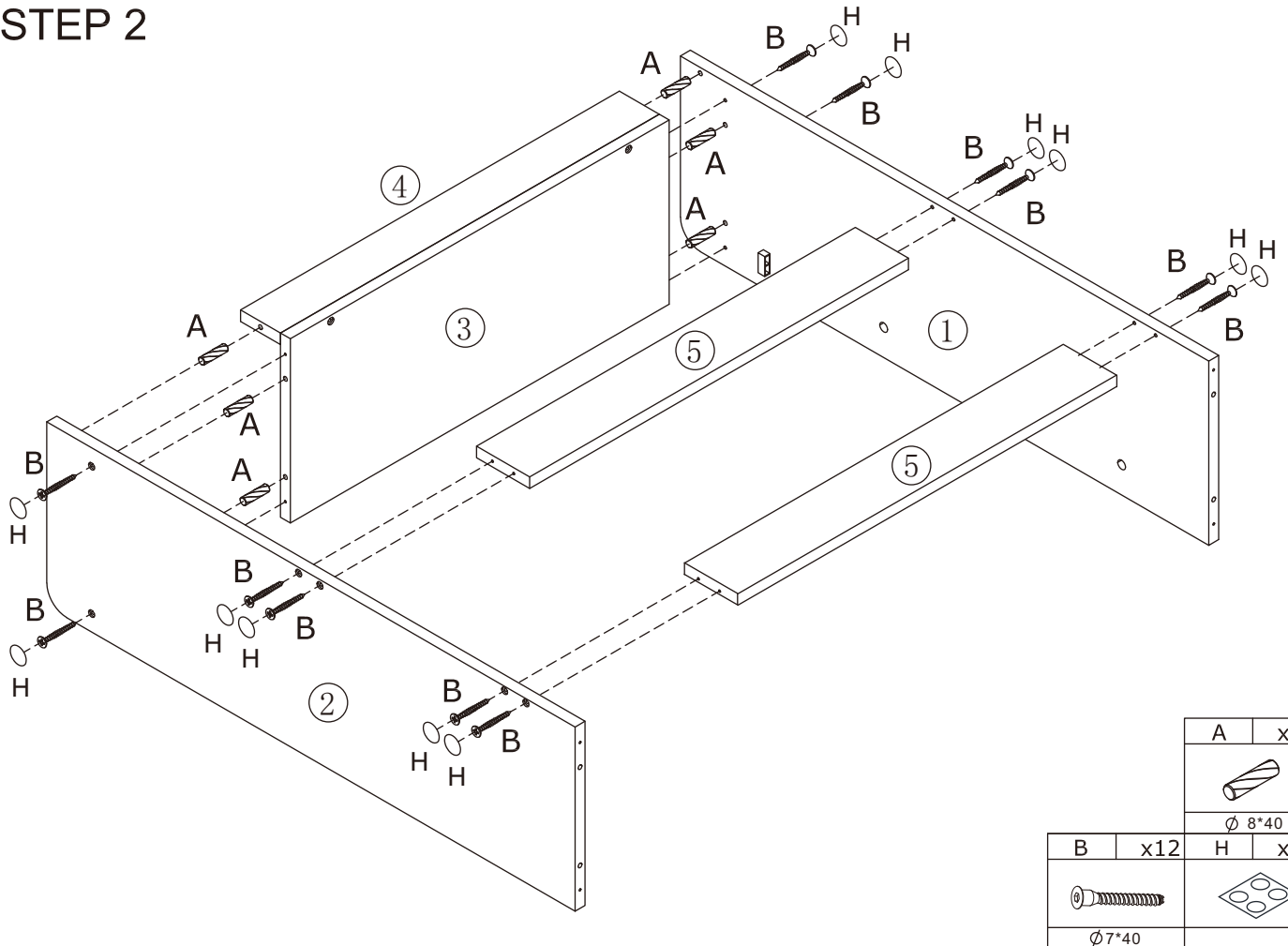
<p>A x 12+2</p>  <p>∅ 8X40MM</p>	<p>B x 18</p>  <p>∅ 7X40MM</p>	<p>C x 38</p>  <p>∅ 3.5X14MM</p>	<p>D x 2</p> 	<p>E x 4</p> 	<p>F x 4</p> 
<p>G x 4</p> 	<p>H x 14</p> 	<p>J x 1</p> 	<p>K x 4</p>  <p>M6X35mm</p>	<p>L x 1</p> 	<p>M x 1</p> 
<p>N x 8</p>  <p>M8X30mm</p>					




STEP 1



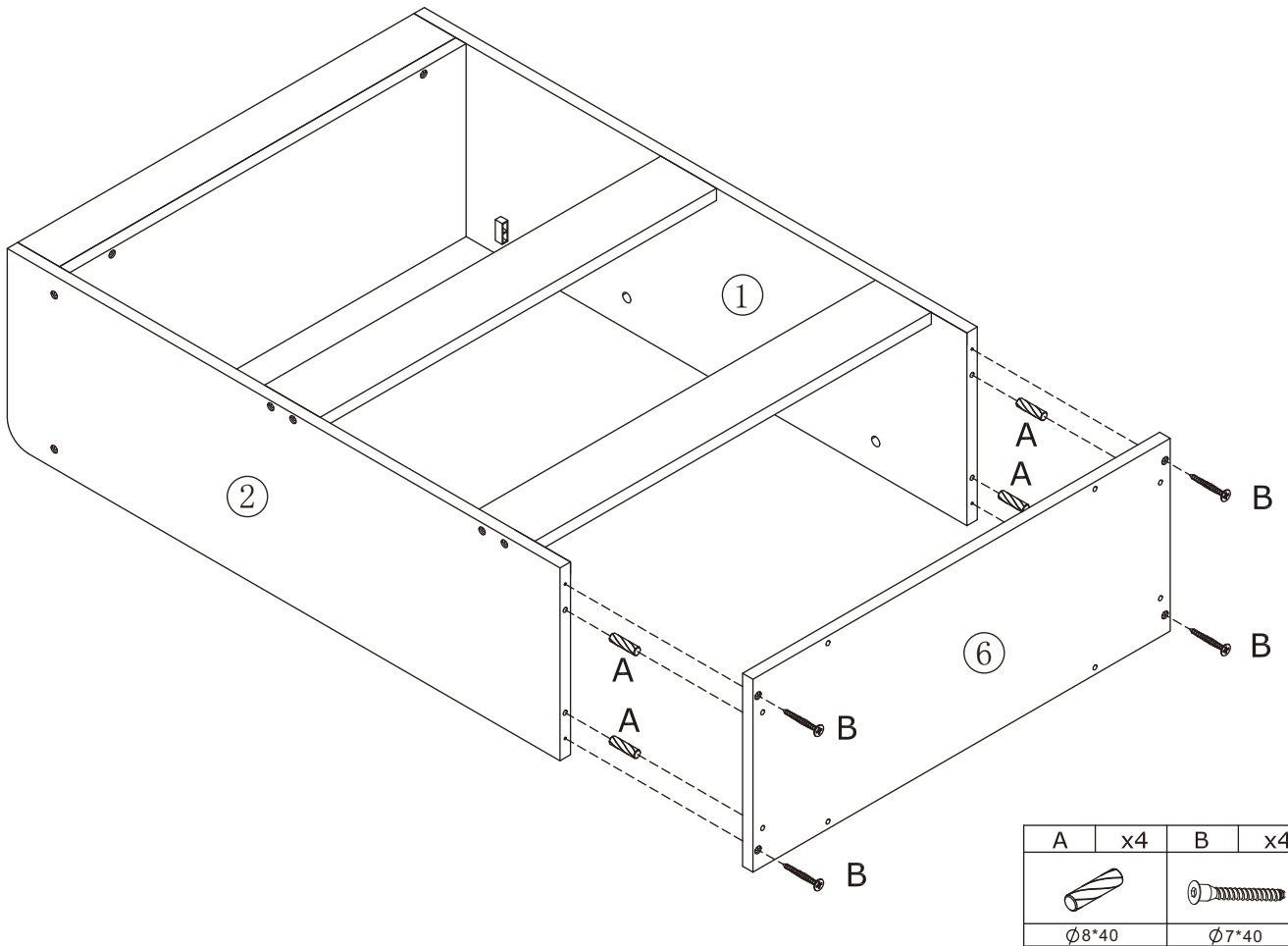
A	x2	B	x2	E	x4	G	x4	H	x2
									
$\varnothing 8 \times 40$		$\varnothing 7 \times 40$							

STEP 2

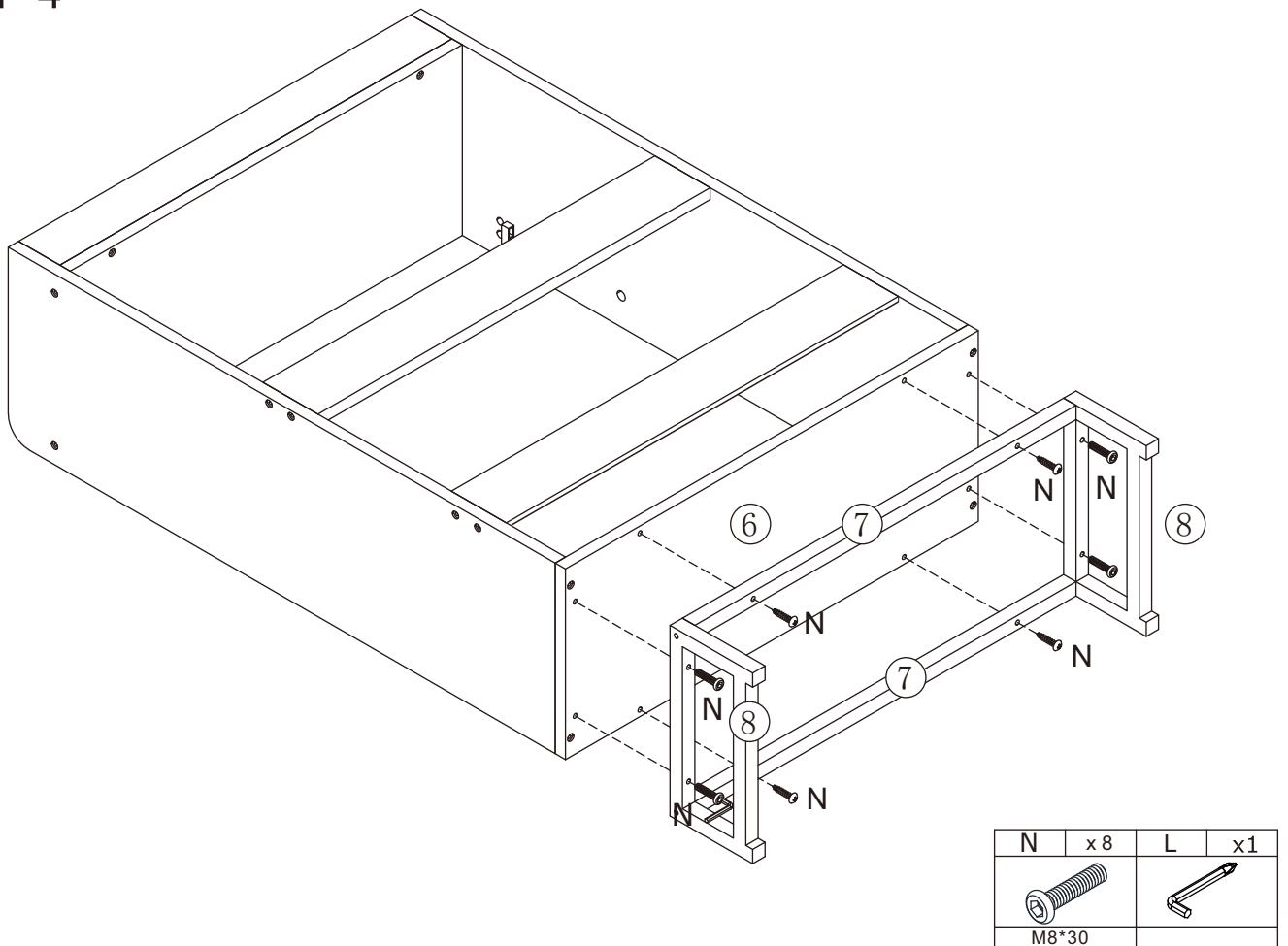


A	x6		
			
		$\varnothing 8 \times 40$	
B	x12	H	x12
			
$\varnothing 7 \times 40$			

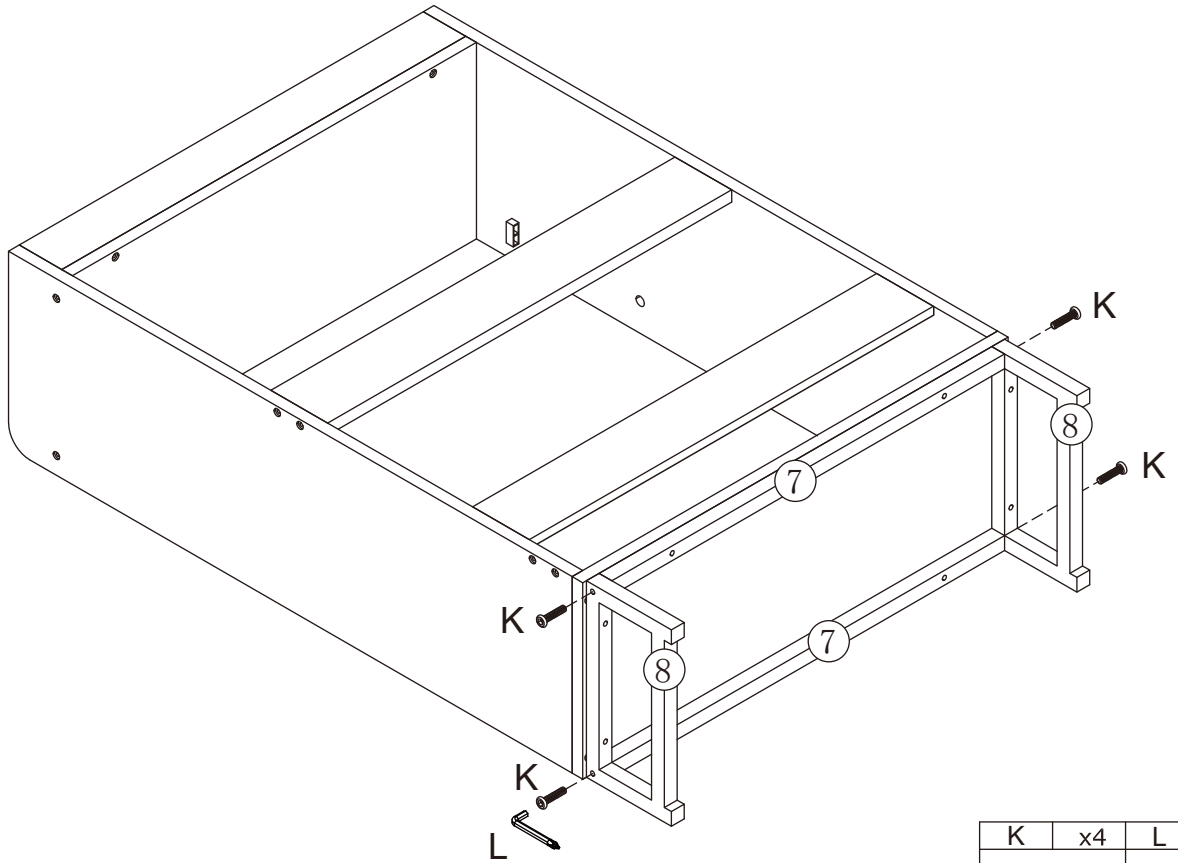
STEP 3





STEP 4

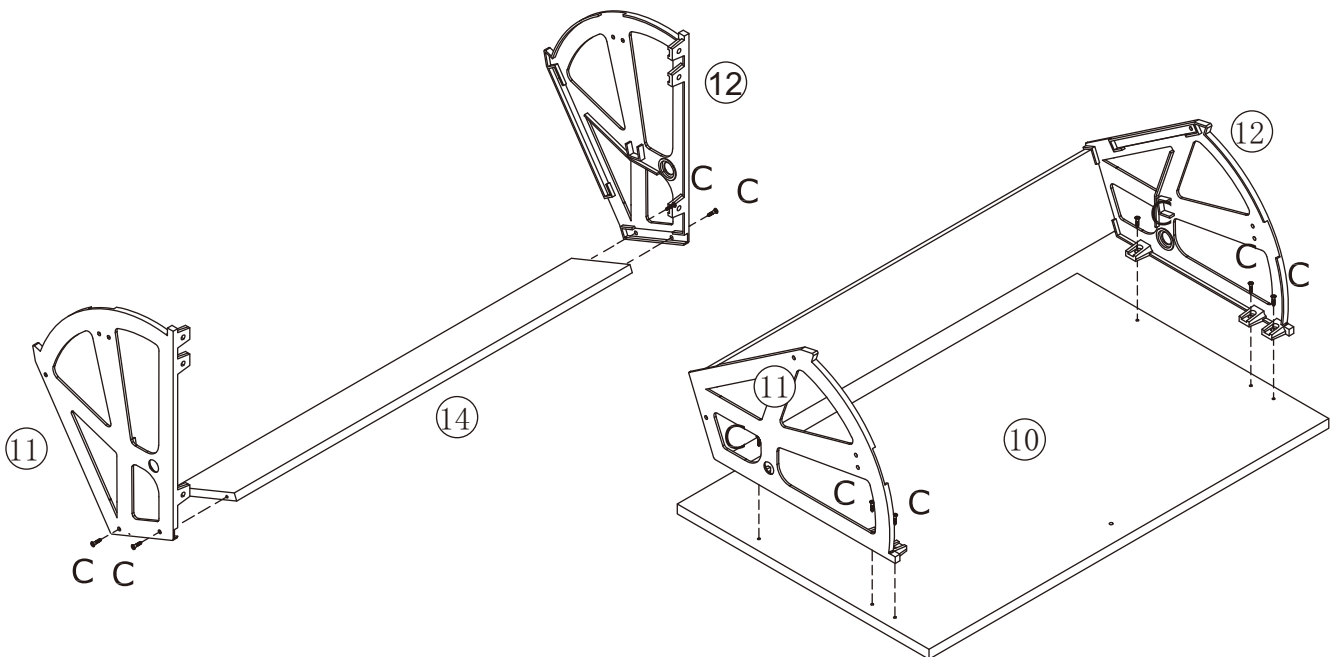



STEP 5



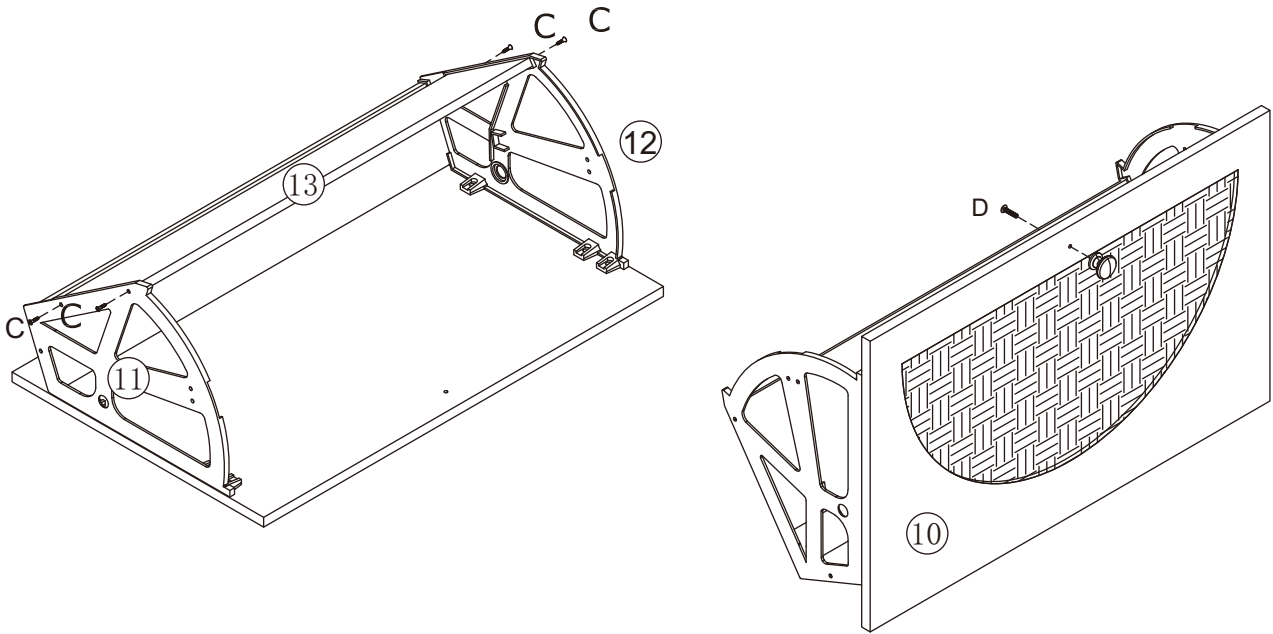
K	x4	L	x1
			
M6*35			



STEP 6



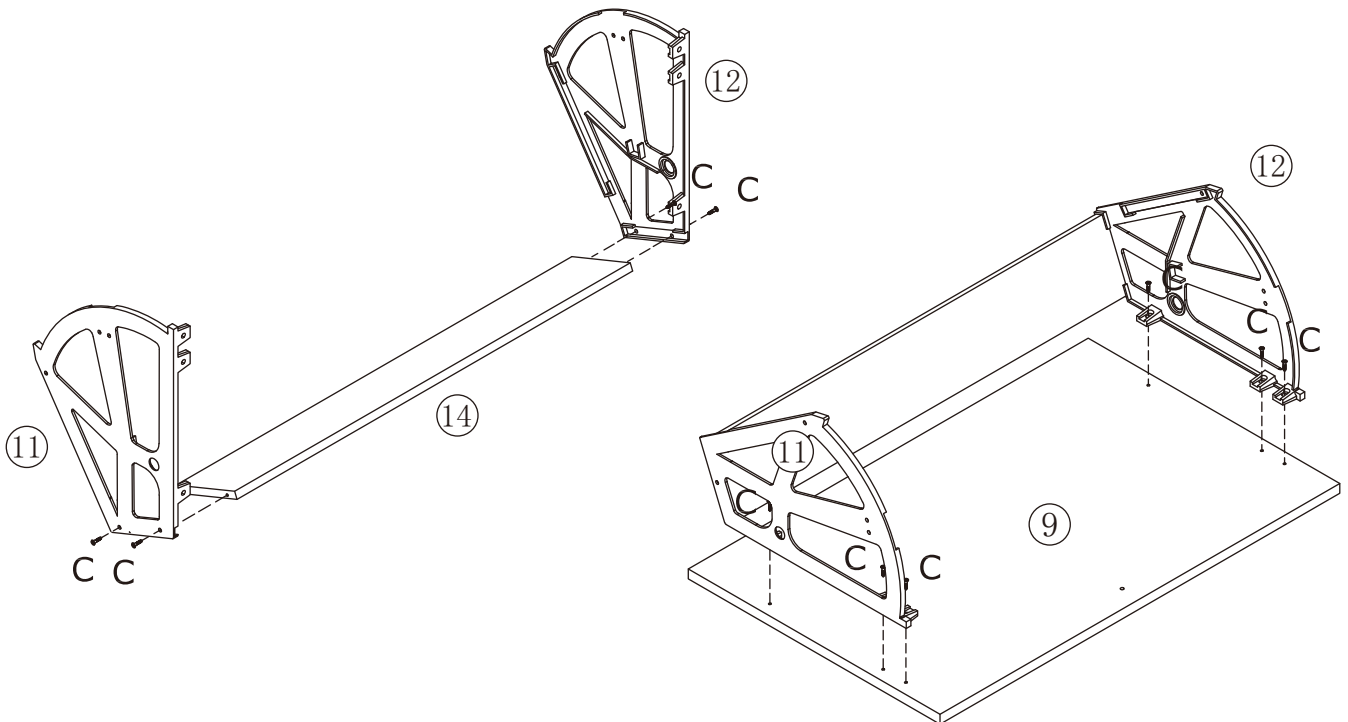
C	x10
	
Ø3.5*14	


STEP 7



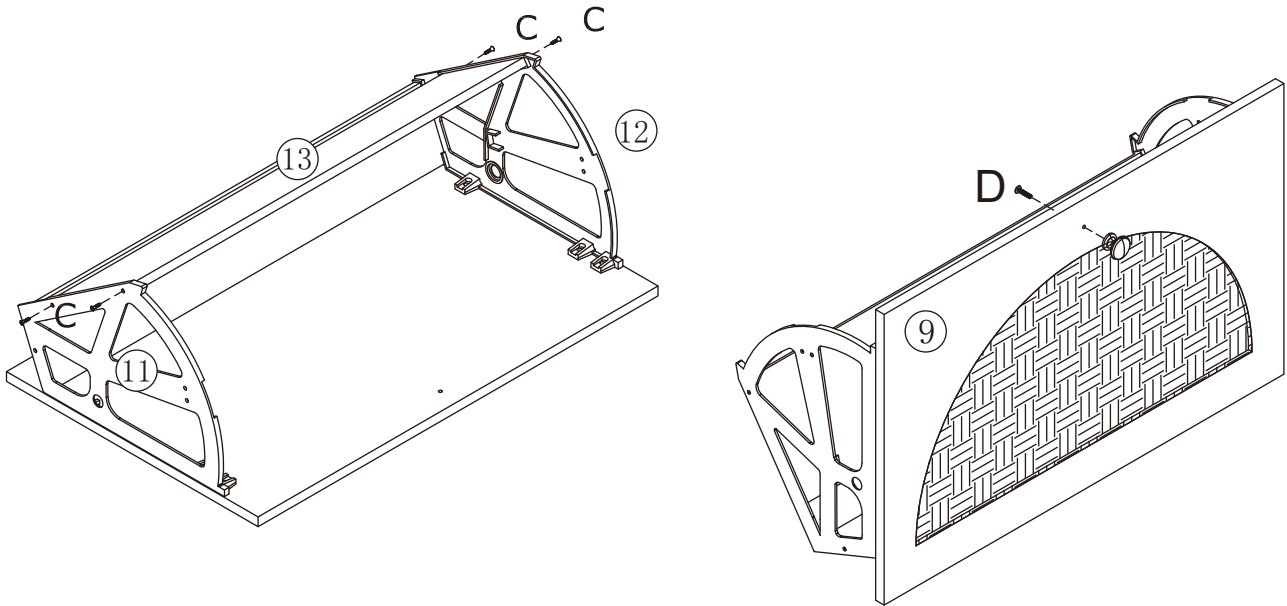
C	x4	D	x1
			
Ø3.5*14			



STEP 8



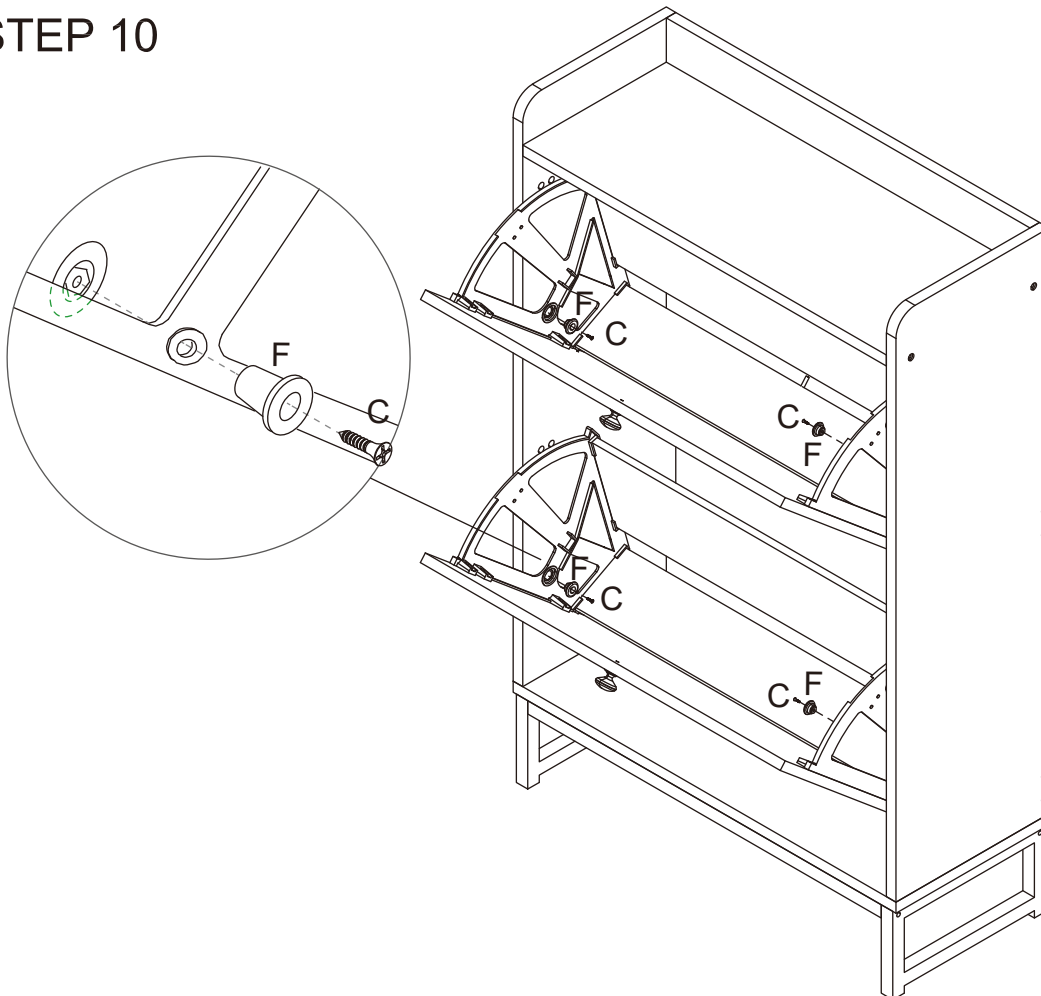
C	x10
	
Ø3.5*14	



STEP 9



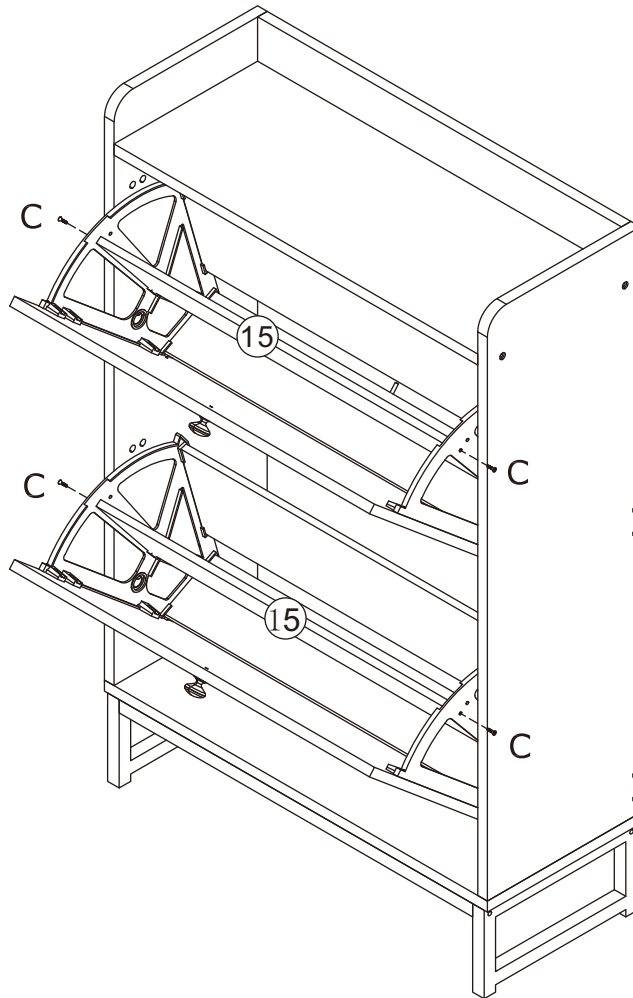
C	x4	D	x1
			
Ø3.5*14			


STEP 10



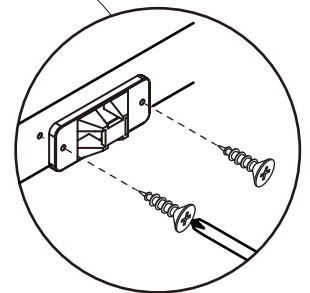
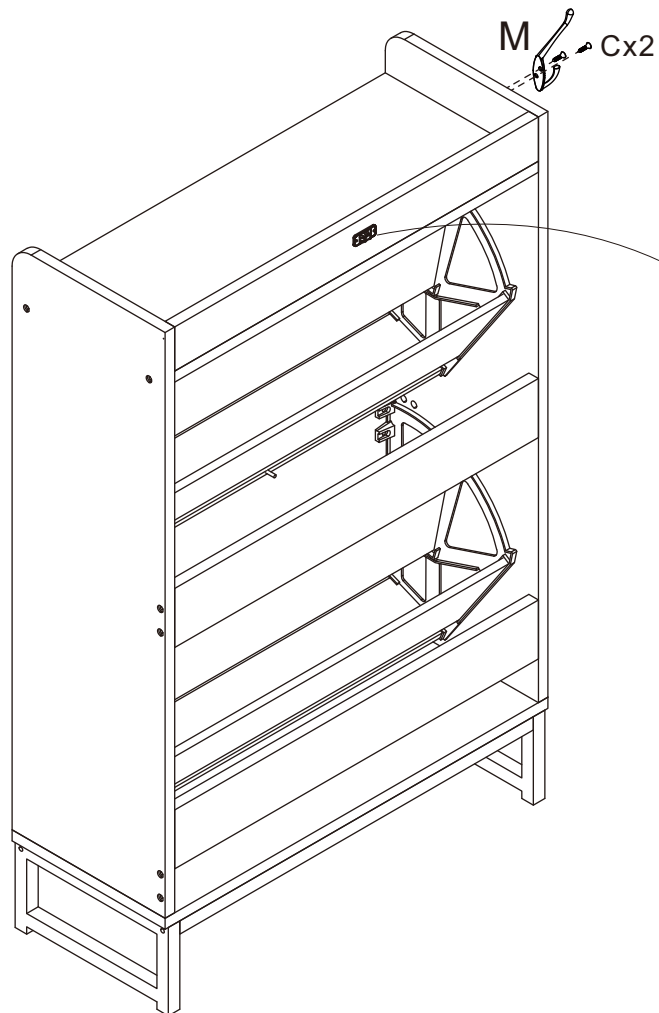
C	x4	F	x4
			
Ø3.5*14			



STEP 11



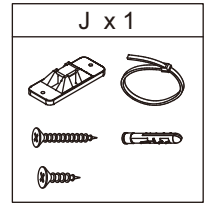
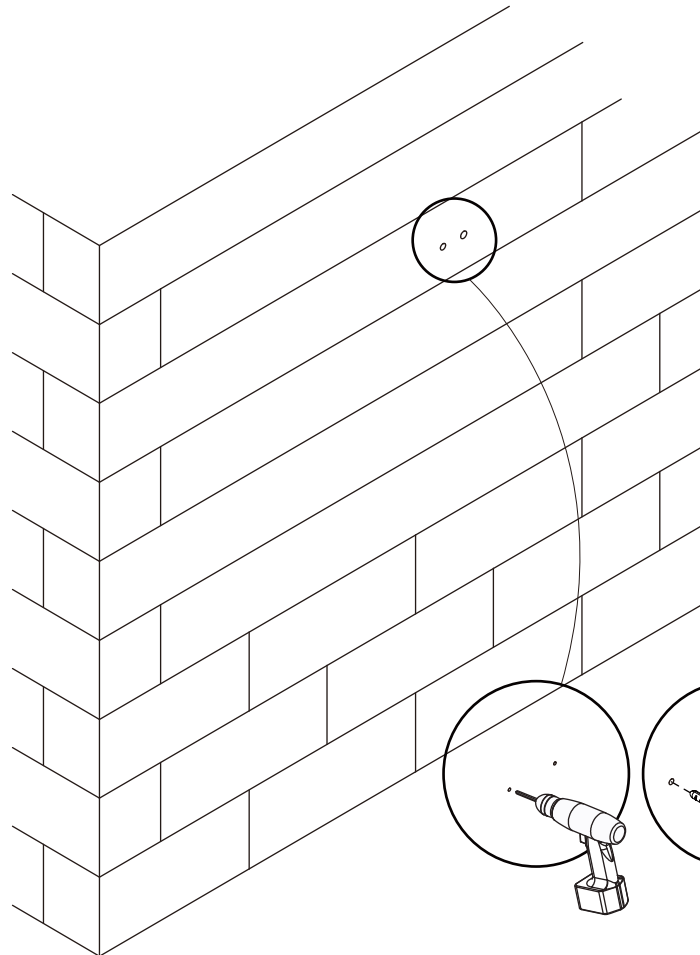
C	x4
	
$\text{Ø}3.5 \times 14$	

STEP 12



C		x2		M		x1	
							
$\text{Ø}3.5 \times 14$							

STEP 13



STEP 14

