


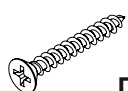
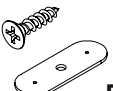


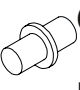

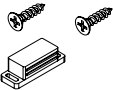




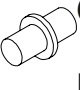
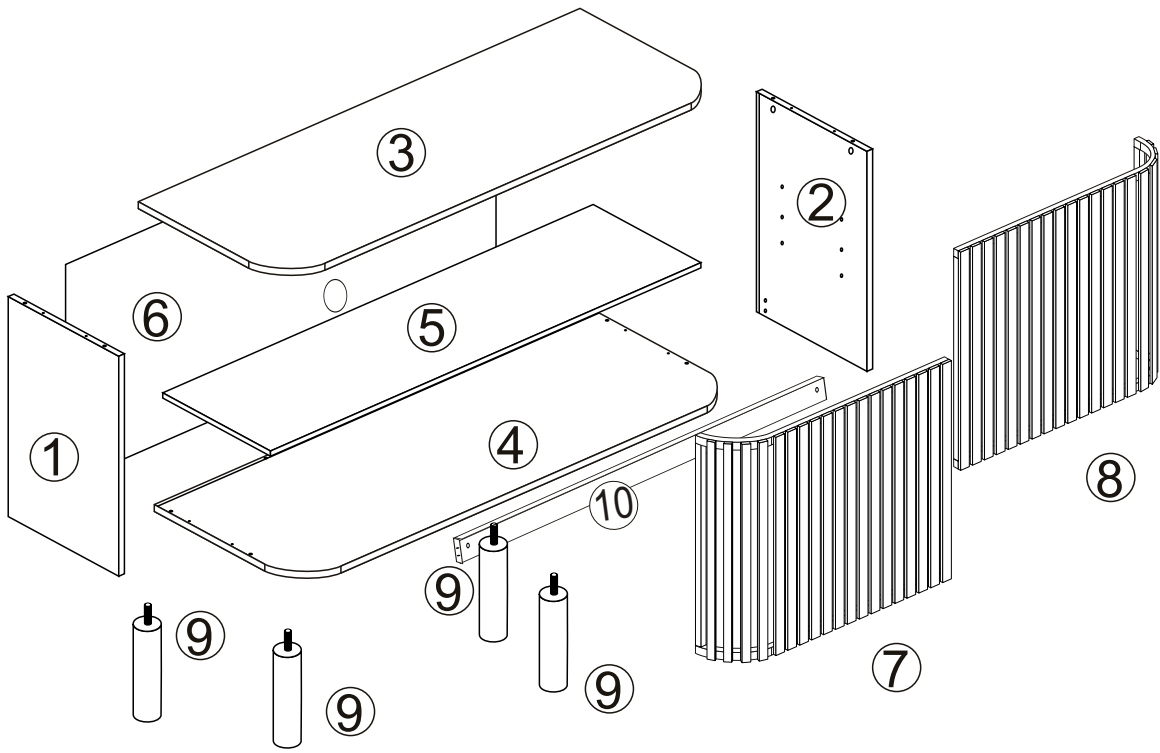
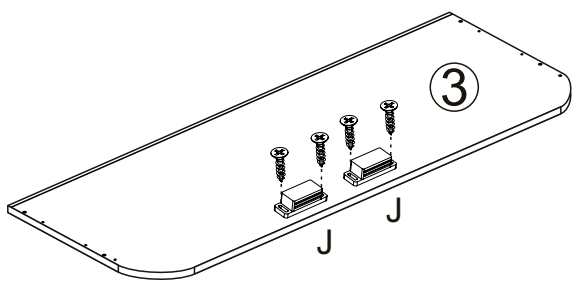


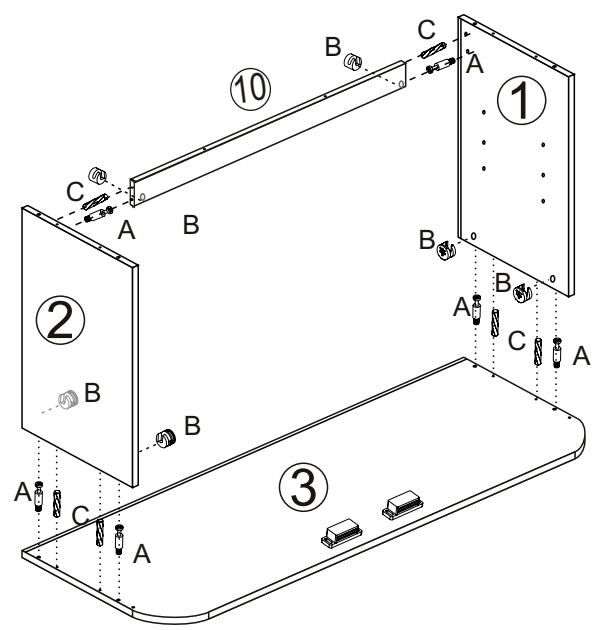
|  |   |   |   |   |   |   |
|--|---|---|---|---|---|---|
|  Ax6  |  Bx6  |  Cx10 |  Dx6  |  Ex2 |  Fx20 |  Gx2  |
|  Gx2 |  Ix4 |  Jx2 |  Kx2 |  Lx4 |  Mx6 |  Nx4 |
|  Hx4 |   |   |   |   |   |   |



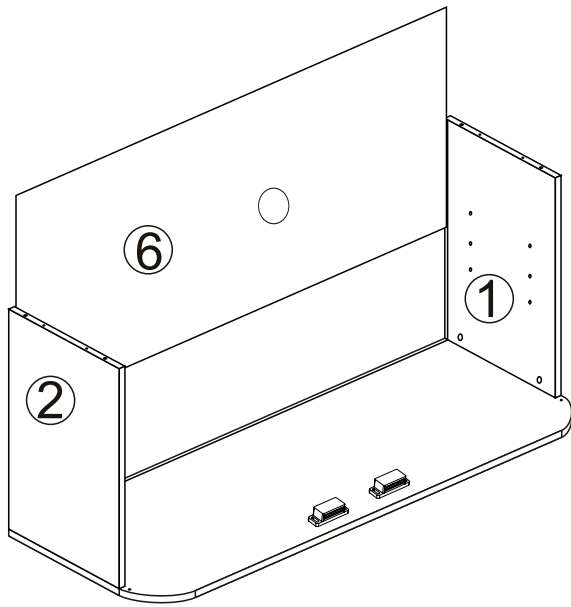
1



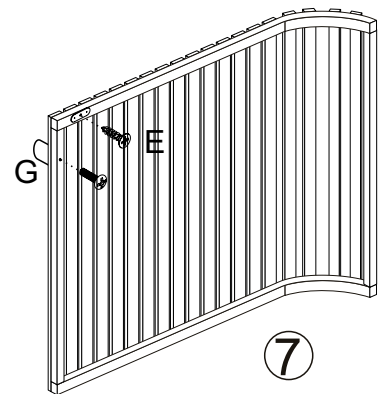
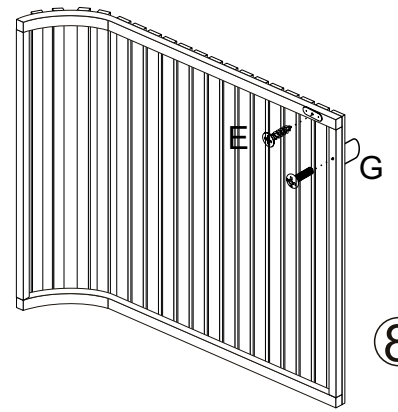
2



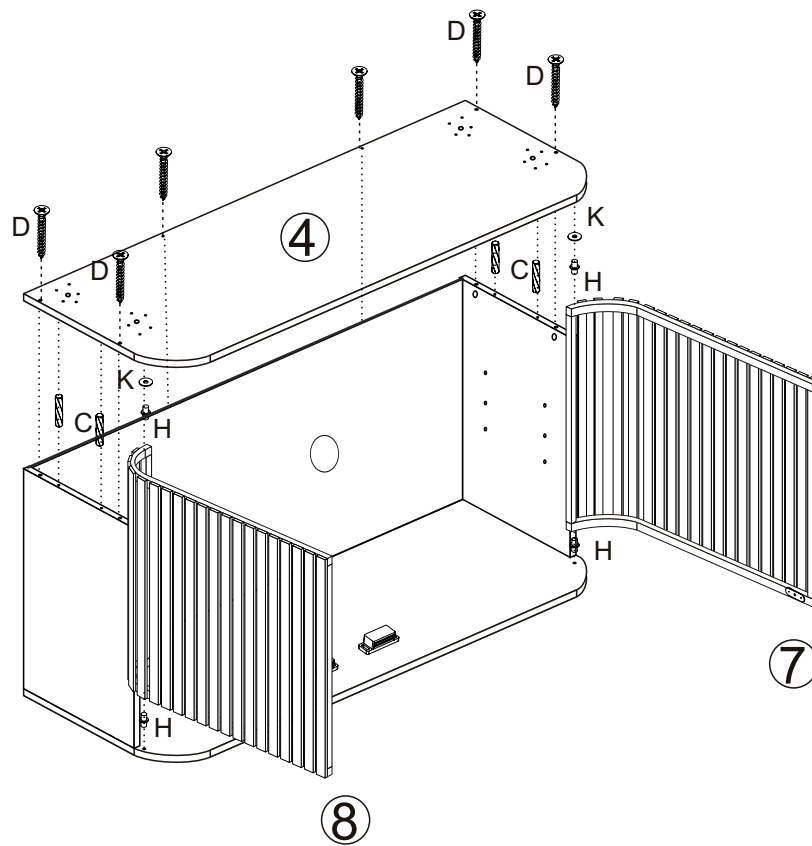
3



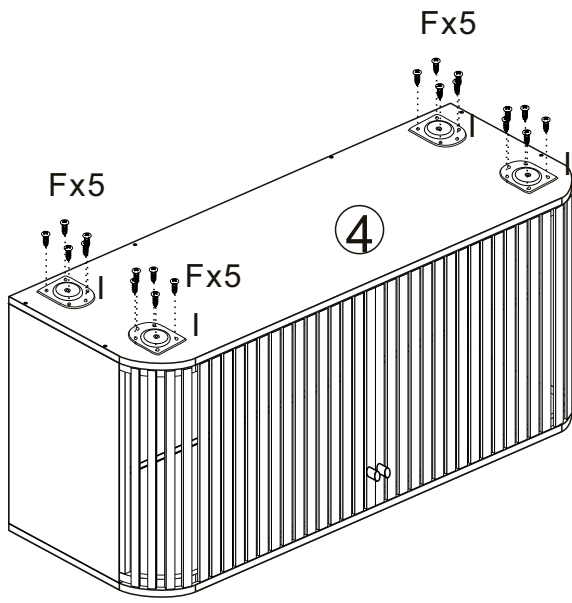
4



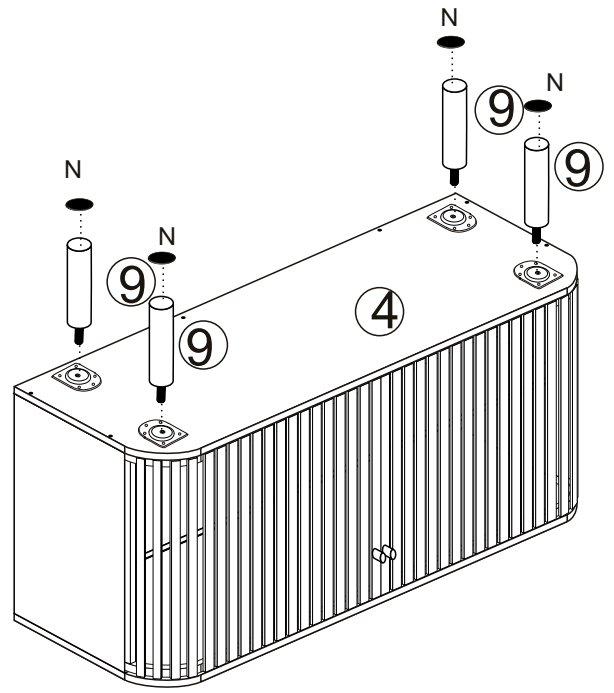
5



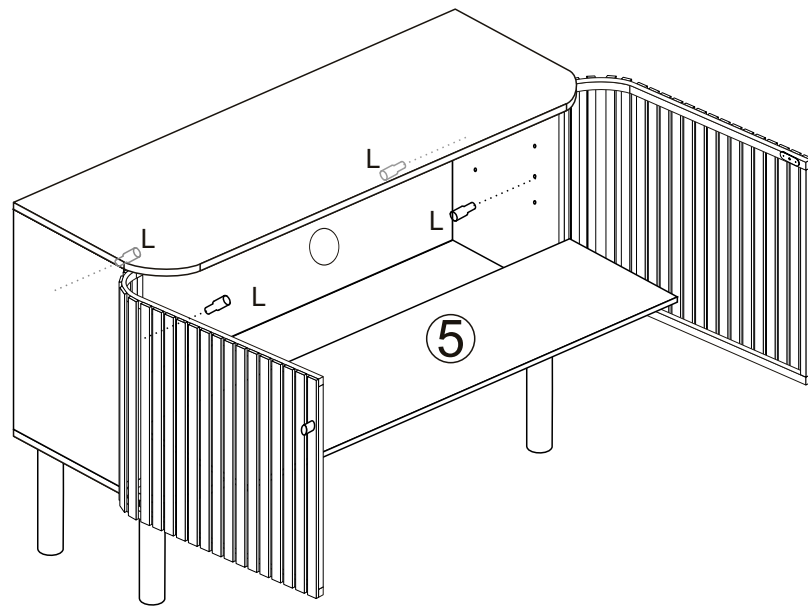
6



7



8



9

