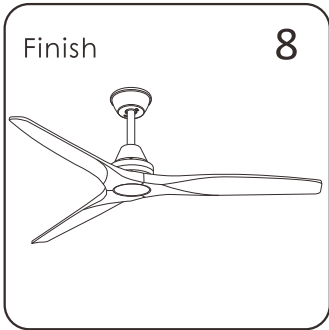
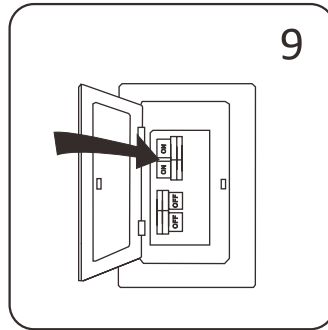


## ASSEMBLY INSTRUCTIONS



Installation completion effect



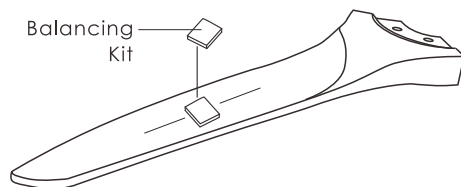
Restore the power at the main fuse or circuit breaker.

## SAFETY PRECAUTION

### IMPORTANT: PLEASE READ BEFORE INSTALLATION

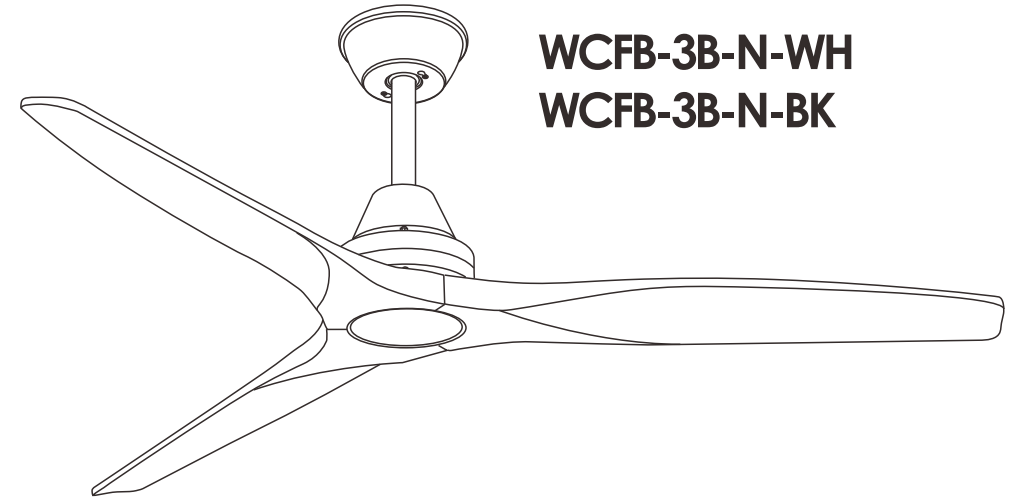
1. Installation must be carried out by a qualified wiring installer.
2. Turn off the electrical mains at the circuit breaker fuse box.
3. Use power supply 220V ~50Hz.
4. When mounting the fan, ensure that the safety cable is loop across the ceiling mounting hook.
5. The ceiling mounting hook must be able to withhold a min. of 35 pounds.
6. The ceiling fan must be mounted at a min. height of 8 ft of clearance from the floor.
7. Do not place any objects in the path of the blades.
8. When all electrical connections are done, store all wires neatly.
9. Make sure that all screws and connection are tightly screwed and secured.

If the fan encounter wobbling during operation, do the following steps to solve the problem:

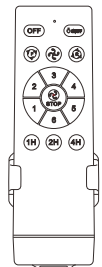


1. Tighten all screws
2. Unscrew the blades and fix them back at different combination of position on the motor
3. Measure the level between the ceiling and all blades.
4. Use the blade Balancing Kit provided if the fan still wobbles.

# WOODEN CEILING FAN



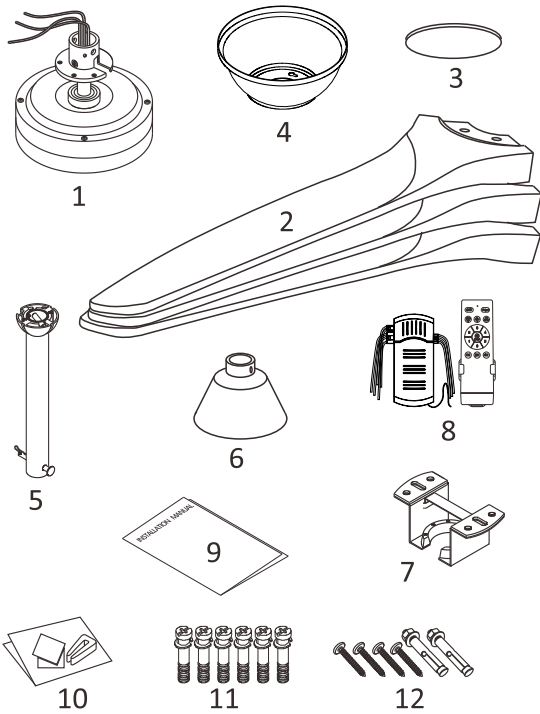
- \* DC energy-saving motor
- \* High quality baking white paint
- \* 3 wooden fan Blades
- \* 6-speed remote control
- \* Reverse rotation



## TOOLS REQUIRED (not included)



## PACKAGE CONTENTS



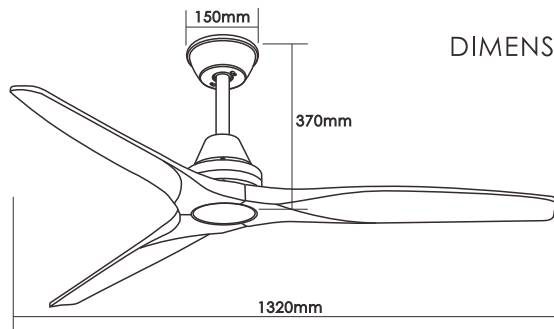
Unpack your fan and check the contents. You should have the following items:

### PACKAGE CONTENTS

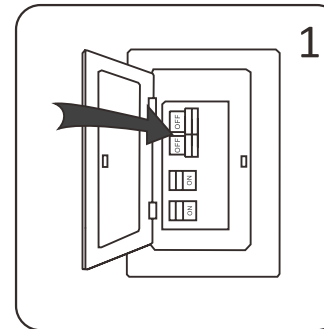
- 1.DC motor x1
- 2.Wood Blade x3
- 3.Decorative cover x1
- 4.Hanging cup x1
- 5.Boom x1
- 6.Decorative cover x1
- 7.Hanger x1
- 8.remote control x1
- 9.Instructions x1
- 10.Balance pack x1
- 11.Fan blade screws x6
- 12.Hanger screws x4

Note: Some extra hardware has been included. The quantity listed above is the number required for installation.

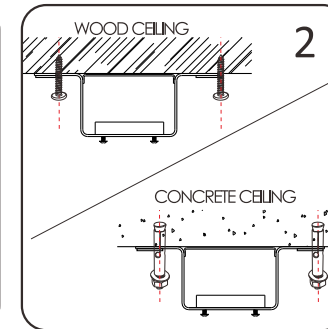
### DIMENSION REFERENCE



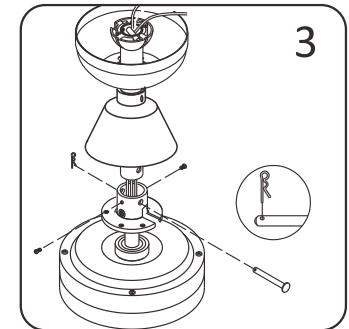
## ASSEMBLY INSTRUCTIONS



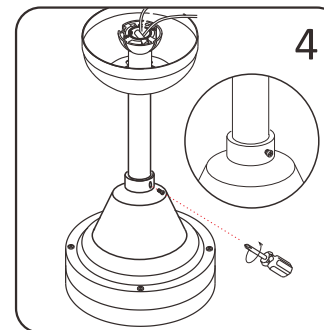
Turn OFF the electrical power at the main fuse of circuit breaker.



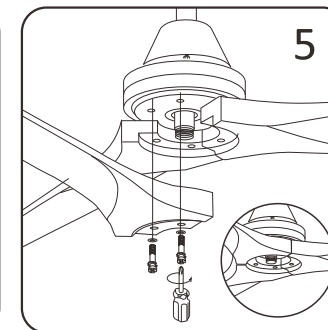
According to the different installation ceiling, select the corresponding installation screw for installation



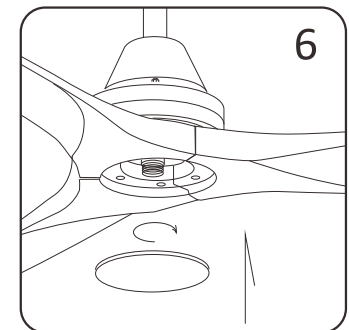
Insert the boom into the motor wire according to the diagram, and then insert the connecting head, and insert the cross bolt and the two diagonal screws on the lock



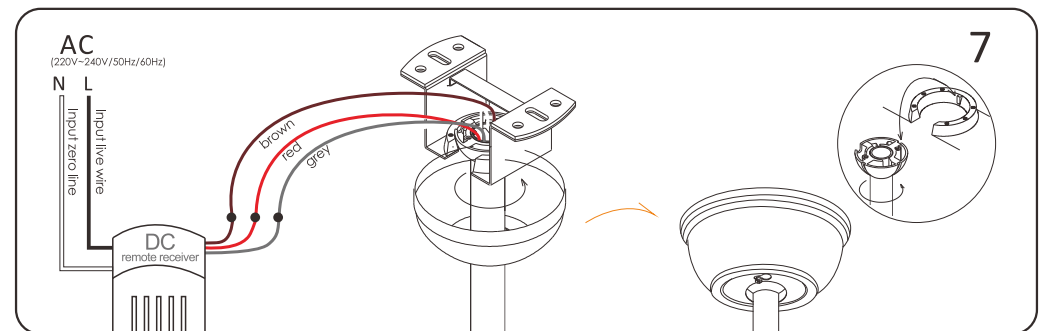
Move the decorative cover down to the appropriate position as shown, and then lock the screws to secure



Align the fan blade with the screw hole on the motor according to the figure, put on the gasket and lock the motor, and fix all the fan blade in this way



Turn the bottom decorative cover clockwise into the motor shaft according to the figure, and ensure that it is fixed firmly



After hanging the fan suspender into the hanger, rotate and clip it into the groove, then connect the wires according to the color, and finally put on the hanging cup. After rotating the hanging cup, lock the hanging cup screw