



INSTRUCTION MANUAL



Contents

04 Welcome Section

04 General Information and Safety Instructions

04 Warning

05 Parts List

05 Specifications

06 Assembly instructions

06 Cleaning & Maintenance

Welcome

Thanks for you choosing to buy **NEW ORIENTAL**[®] Product.
All products brought to you by **NEW ORIENTAL**[®] are manufactured to the highest standards of performance and safety. We hope you will enjoy using your purchase for many years to come.

General information and Safety Instructions

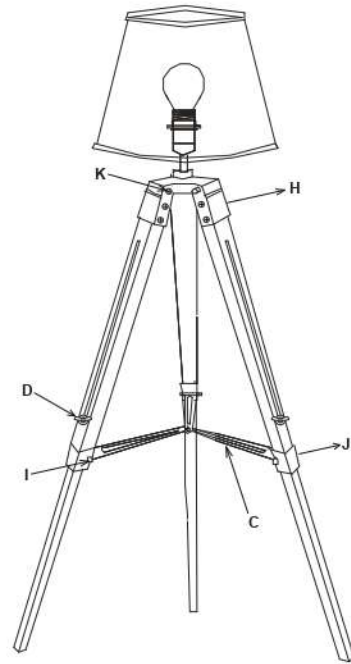
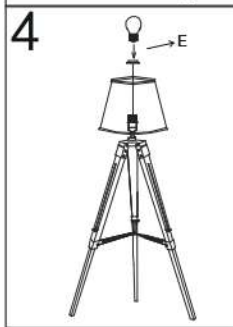
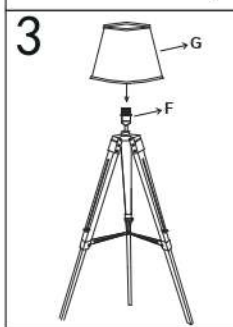
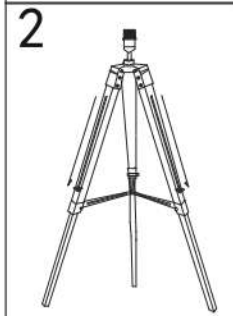
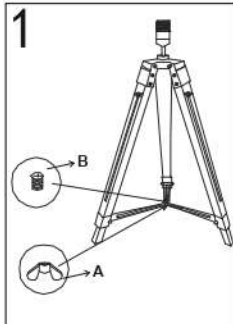
To obtain the best performance and ensure years of trouble free use ,please read this instruction manual carefully.
After read them ,Please store them in a safe place for future reference.

Warning

- Always ensure the power is disconnected before installation or maintenance.
- Do not operate in a position where flammable materials can come into contact with the lamp.
- During use the bulb will become hot ,When you need to change the bulb (incandescent light bulb), Please ensure the power is disconnected, and waiting 5 minutes .
- If the power cord is damaged or loose , stop using immediately, and contact the supplier.
- This floor lamp must be connected to a 220-240V~50Hz power source.
- Young children should be supervised to ensure they Do not play with this lamp.
- This floor lamp is designed for indoor use only.

Parts list

- A. Wing nut
- B. Screw
- C. Metal support brackets
- D. Leg adjustment nut
- E. Shade ring
- F. Lampholder
- G. Shade
- H. Lampholder base
- I. Leg



Specifications

Model Number: 75005

Product Description: LARGE TRIPOD FLOOR LAMP+ BEIGE LINON SHADE

Bulb: E27 MAX 40W

Construction: Class II

Assembly instructions

Follow these instructions closely to avoid a possible safety hazard.

Carefully unpack shade ,legs,lampholder etc.,from the protective packaging.

- Before you begin to assemble this floor lamp check that all parts have been supplied. It is recommended that any assembly is performed on a soft surface to avoid any damage ore scratches.
- Join the three metal brackets(C)using the wing nut(A) and Screw(B).
- Adjust the leg length using the leg adjustment nut (D)
Remove the packing wraps on the shade , fit the Linon shade (G) onto the lampholder (F),and secure in place using the shade ring(E).
- Install the Globe (E27 MAX 40W)
- Plug into the socket and swith on

Cleaning & Maintenance

In order to made your Spotlight Tripod floor lamp with years of use,Please Cleaning and Maintenance as follow.

To Clean:

- Always turn the power off before cleaning or maintenance.
- Wipe regularly with a soft damp cloth ,taking care not to wet the electrical components within the head.
- Never use harsh abrasives on your table lamp.