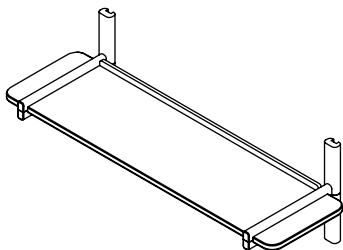
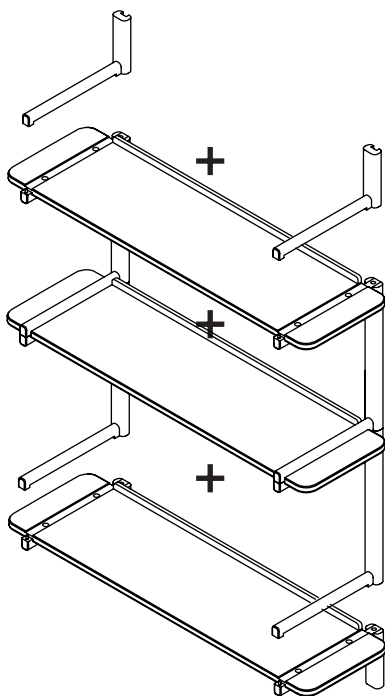
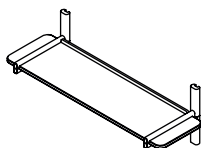


P. 4

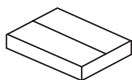


P. 11

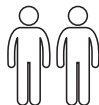




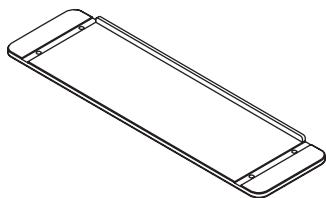
15 min



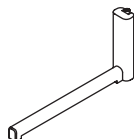
x2



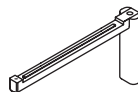
x2



**A** x1



**B** x2



**C** x2



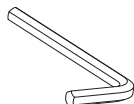
**E** x4  
M6x40mm



**F** x2  
ø5x20mm



**G** x2  
ø10x60mm



**H** x1  
5mm

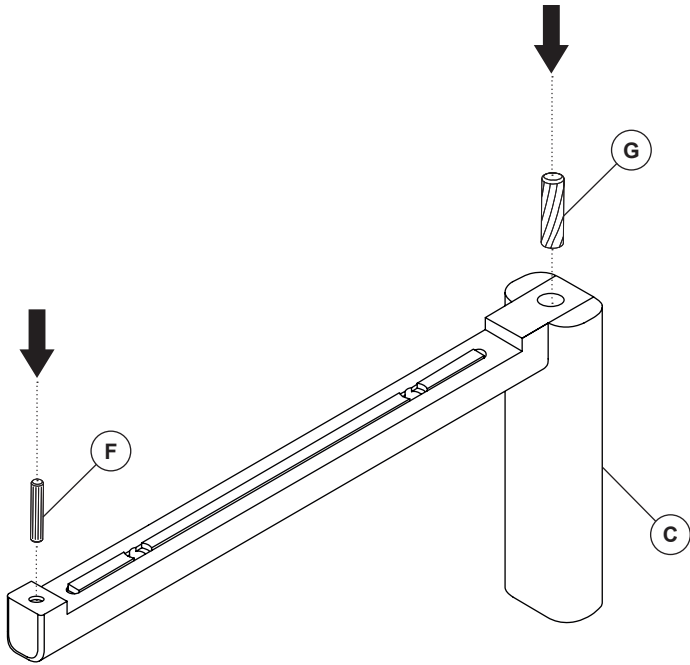


**I** x2



**J** x4  
M6x1mm

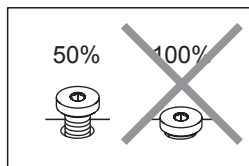
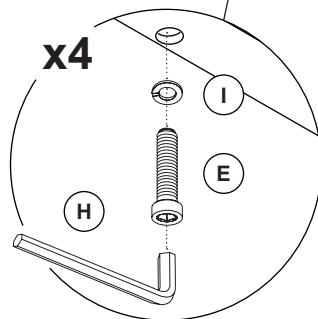
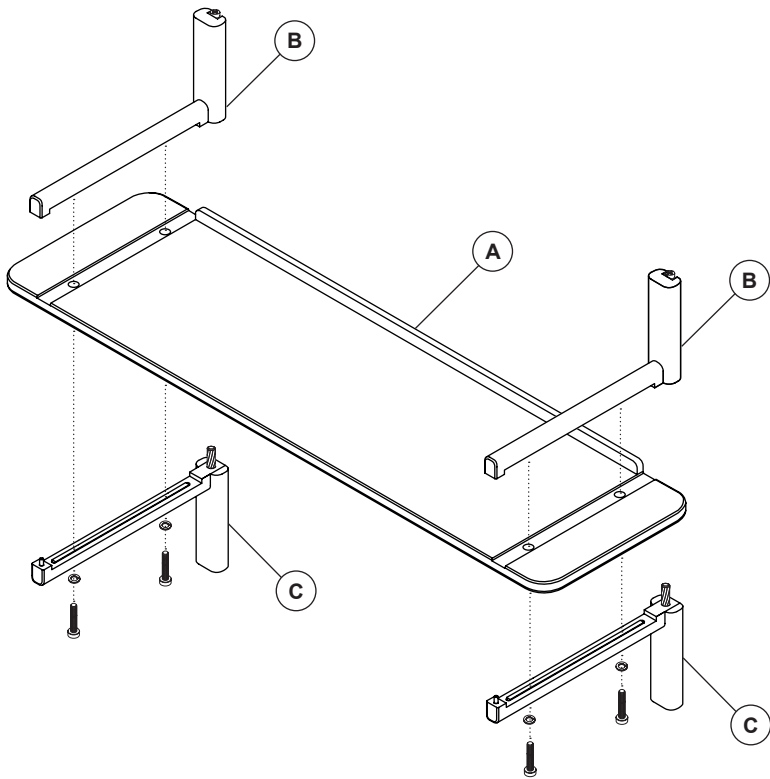
1



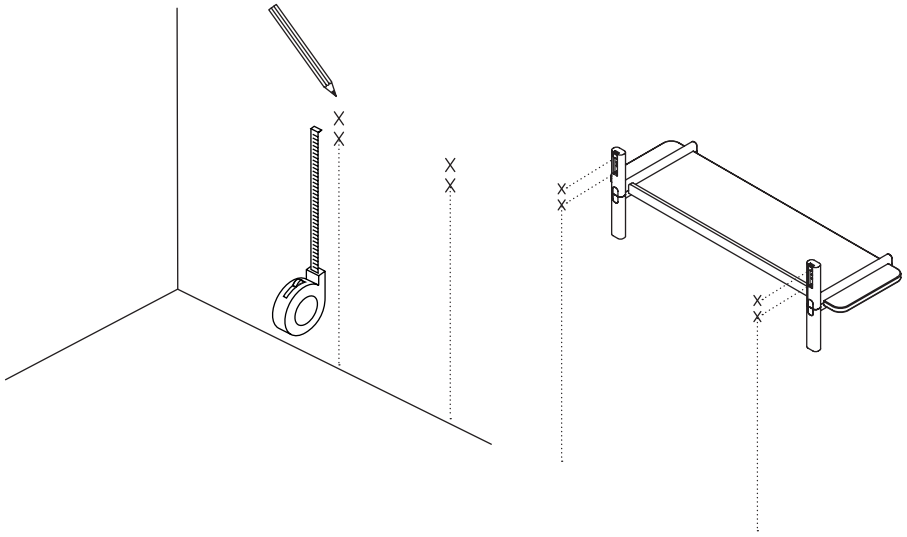
x2



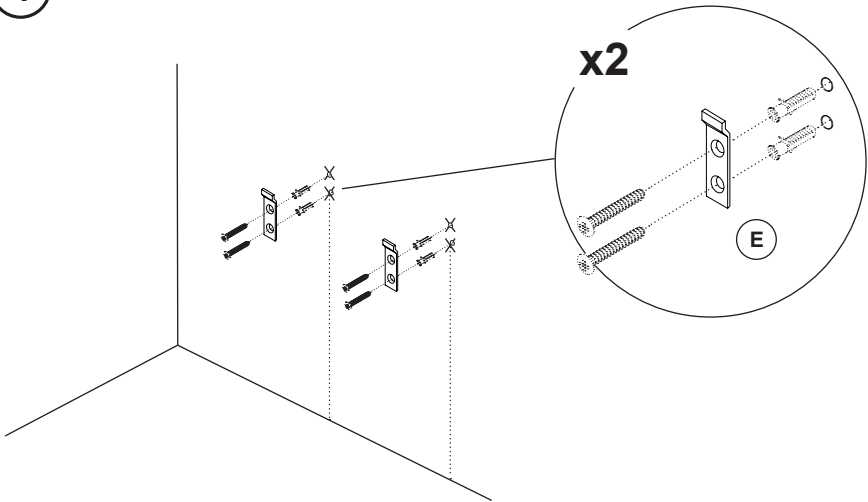
2



3

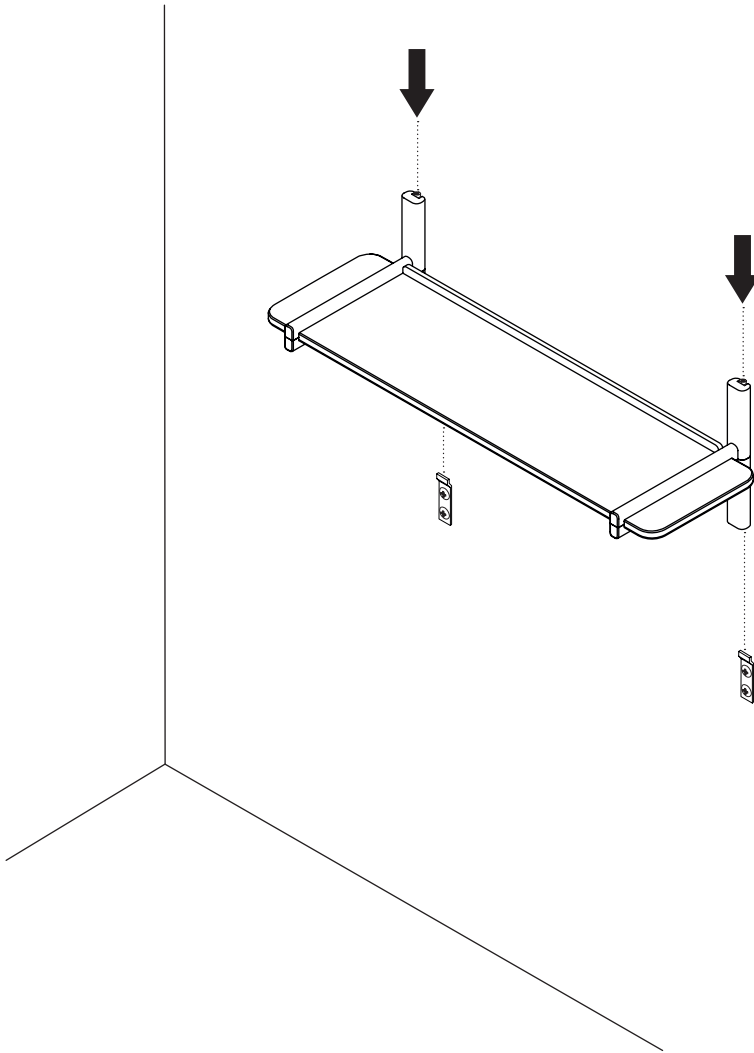


4

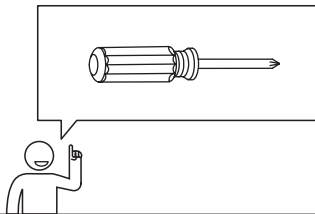
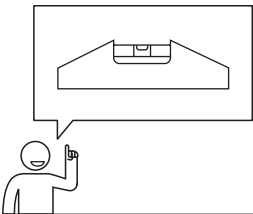
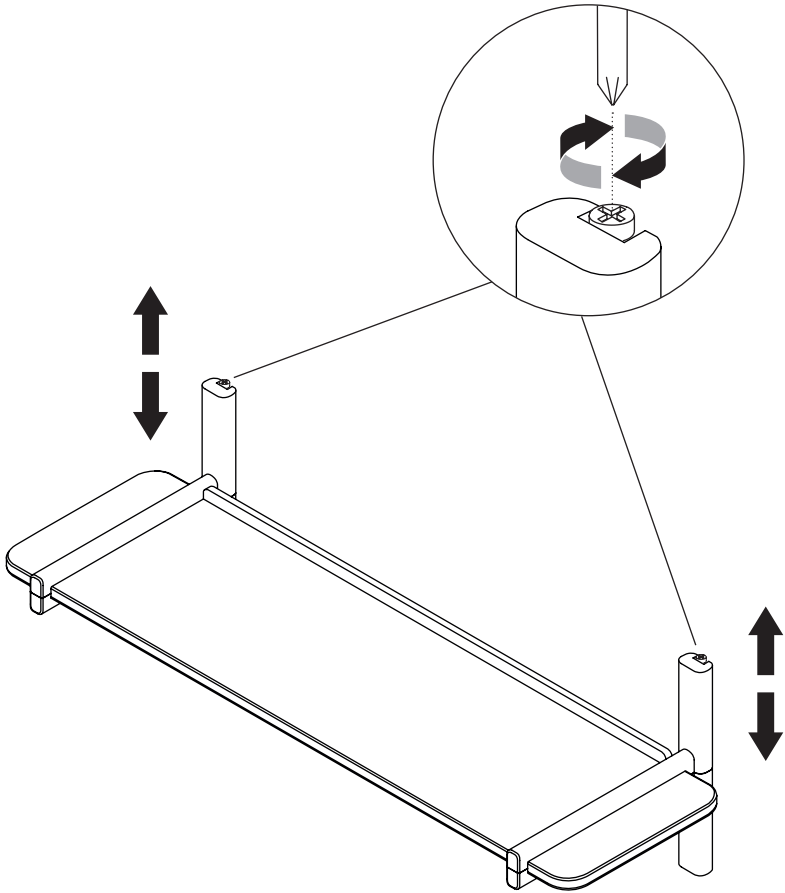


---

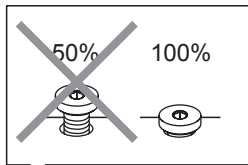
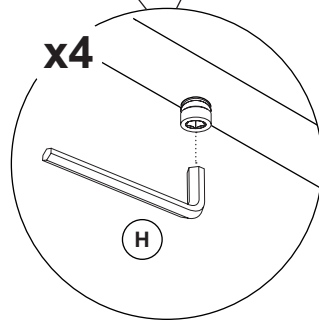
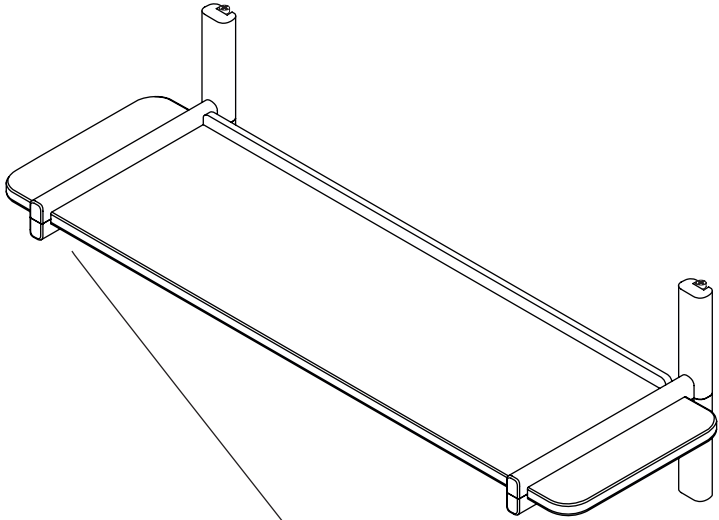
5

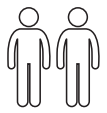
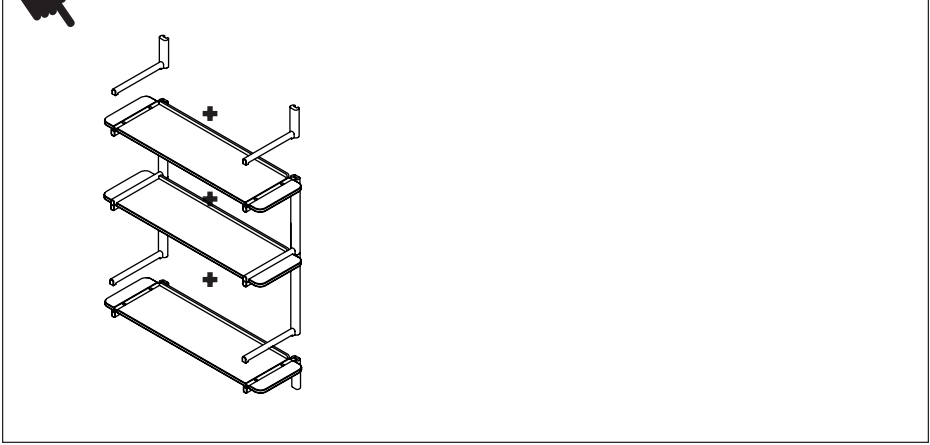


6

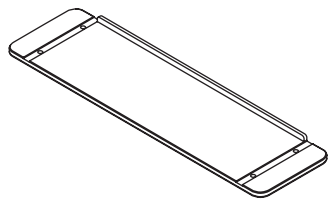


7

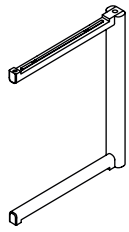




x2



**A**



**D**



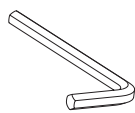
**E**  
M6x40mm



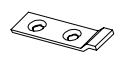
**F**  
ø5x20mm



**G**  
ø10x60mm



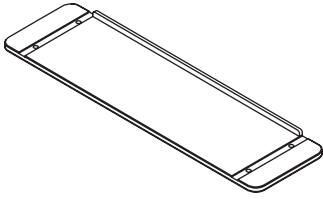
**H**  
5mm



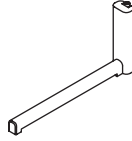
**I**



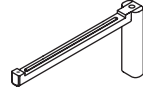
**J**  
M6x1mm



**A** x1



**B** x2



**C** x2



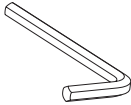
**E** x4  
M6x40mm



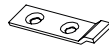
**F** x2  
ø5x20mm



**G** x2  
ø10x60mm



**H** x1  
5mm

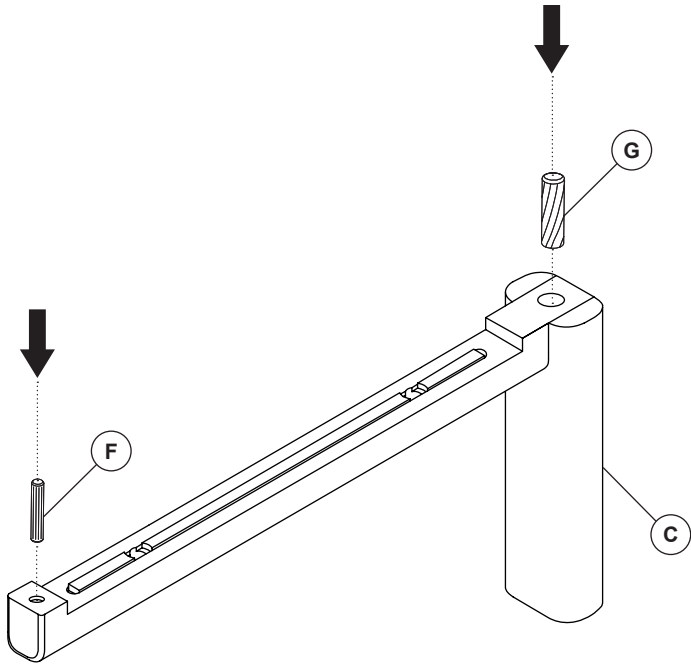


**I** x2



**J** x4  
M6x1mm

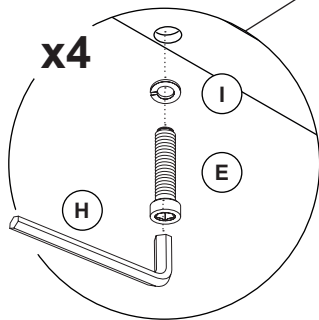
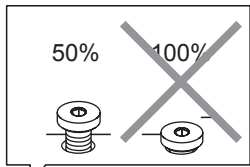
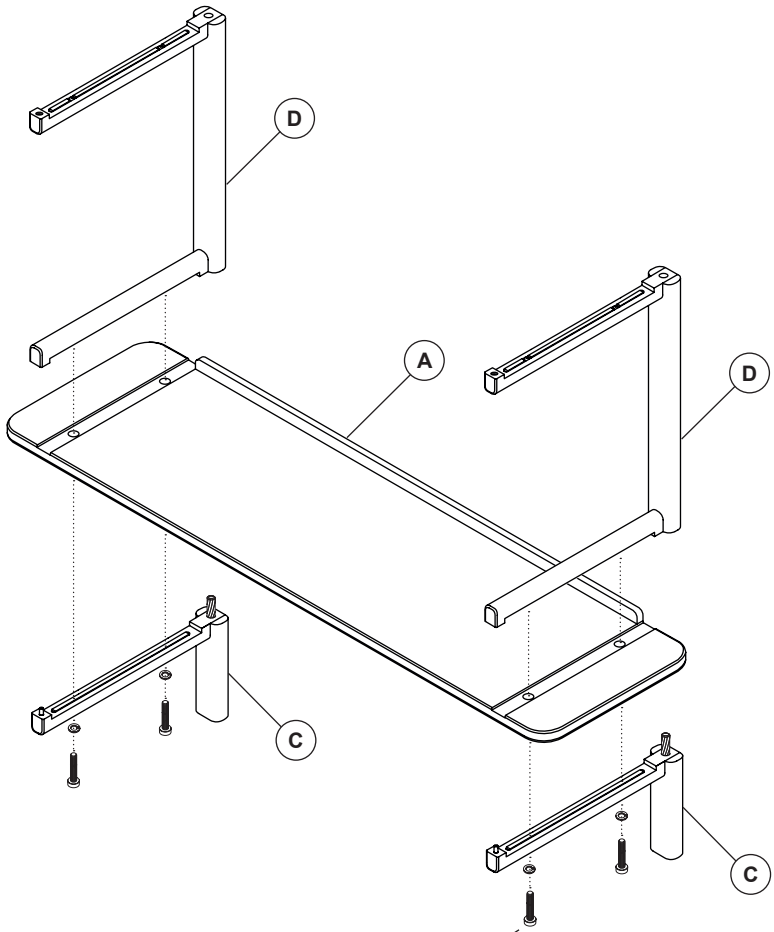
1



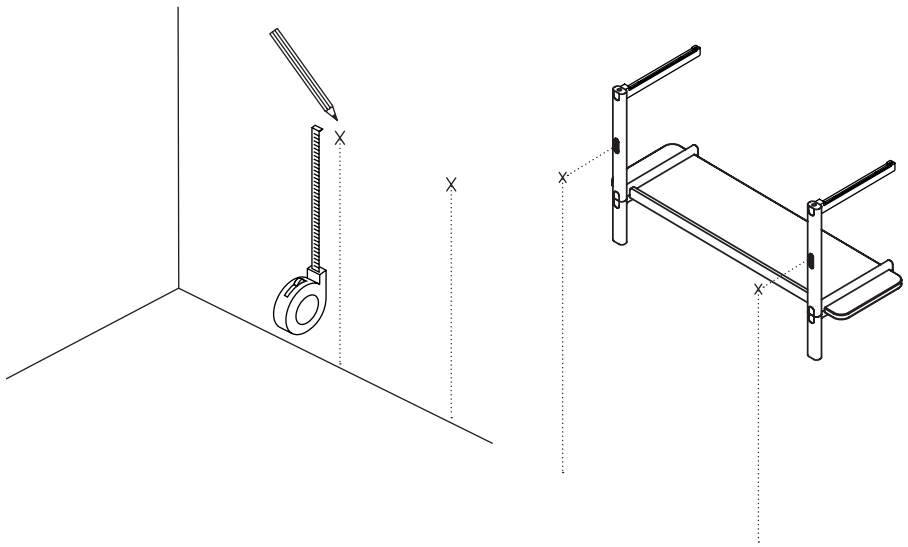
x2



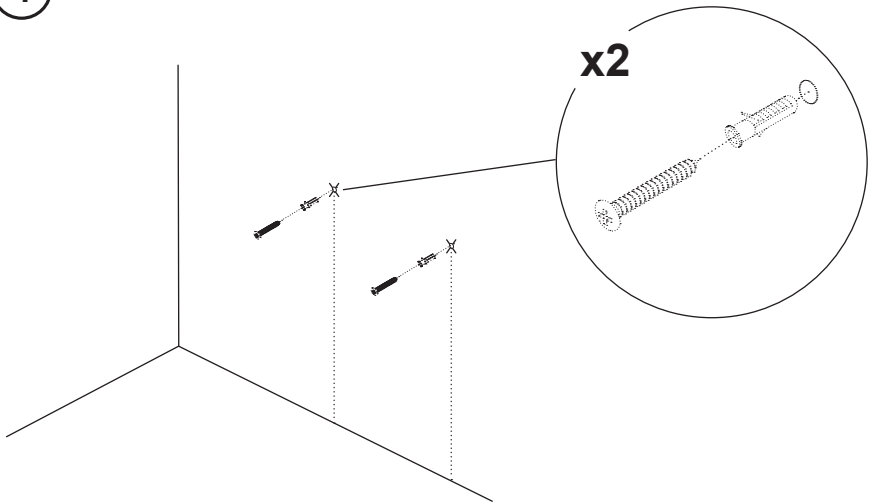
2



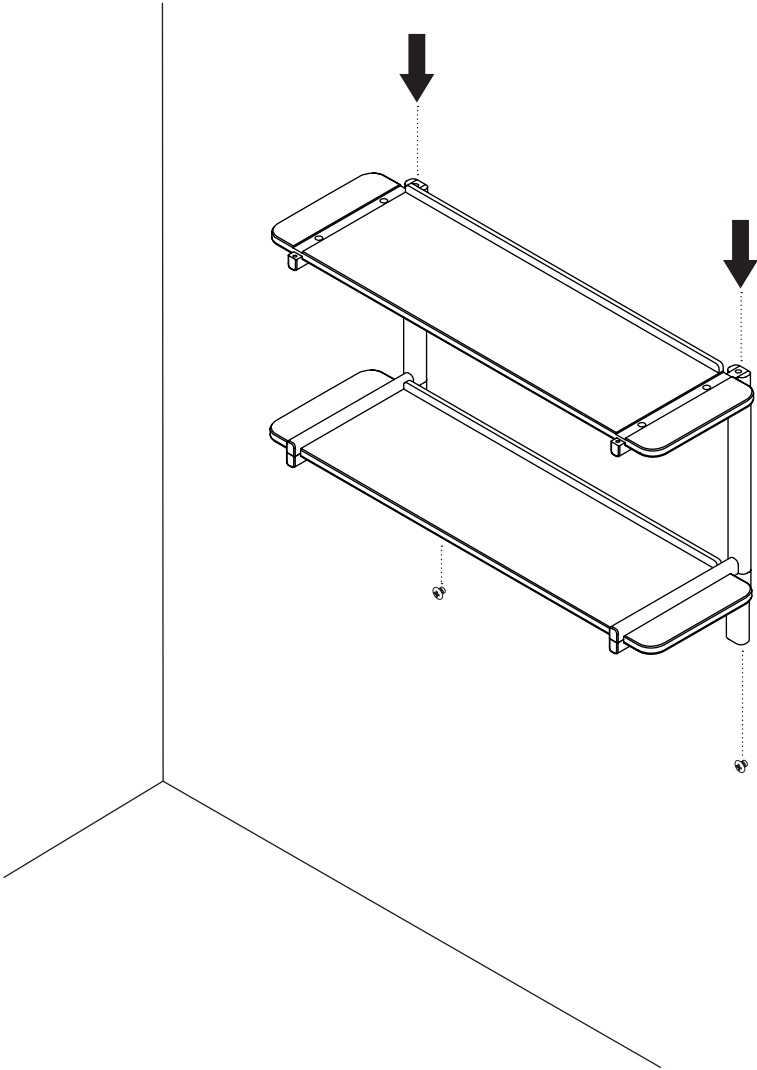
3

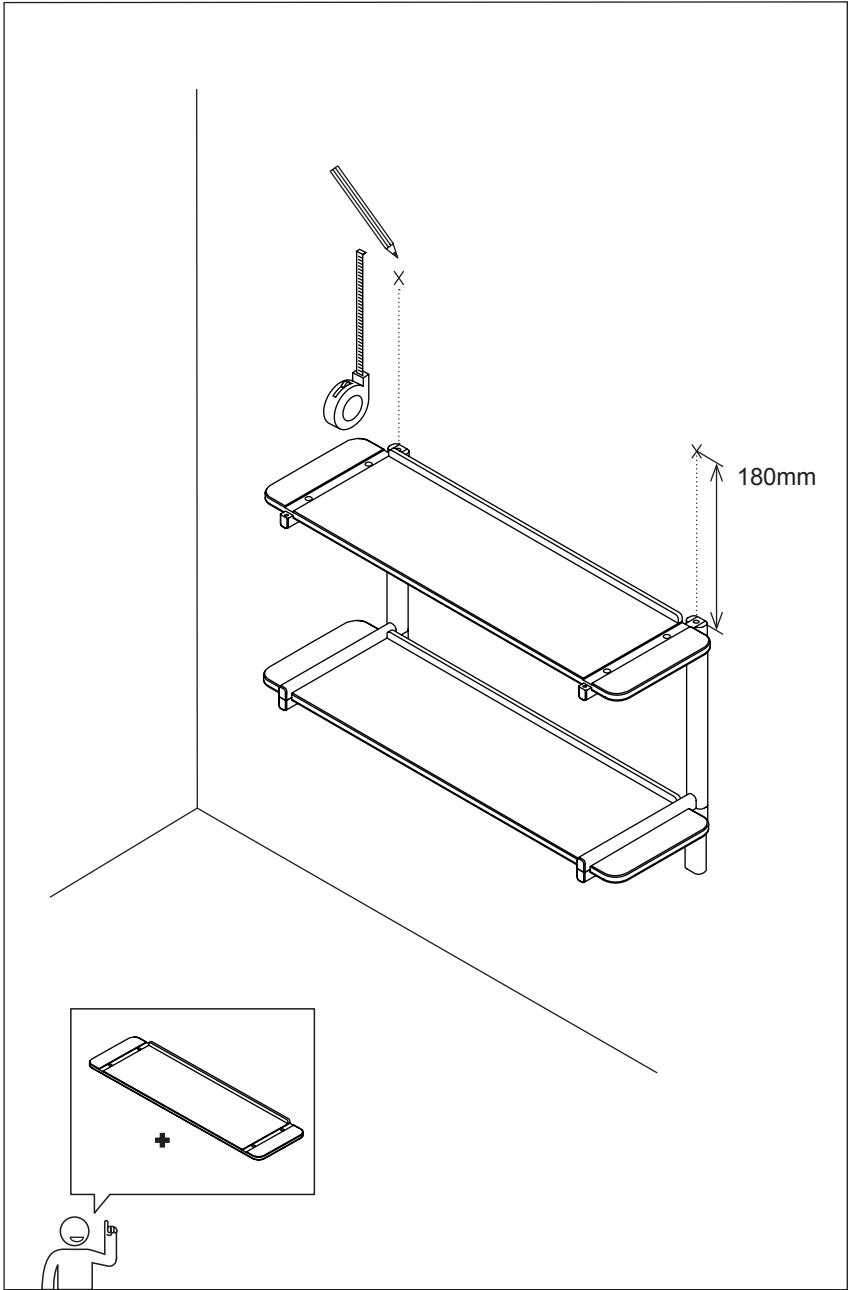


4

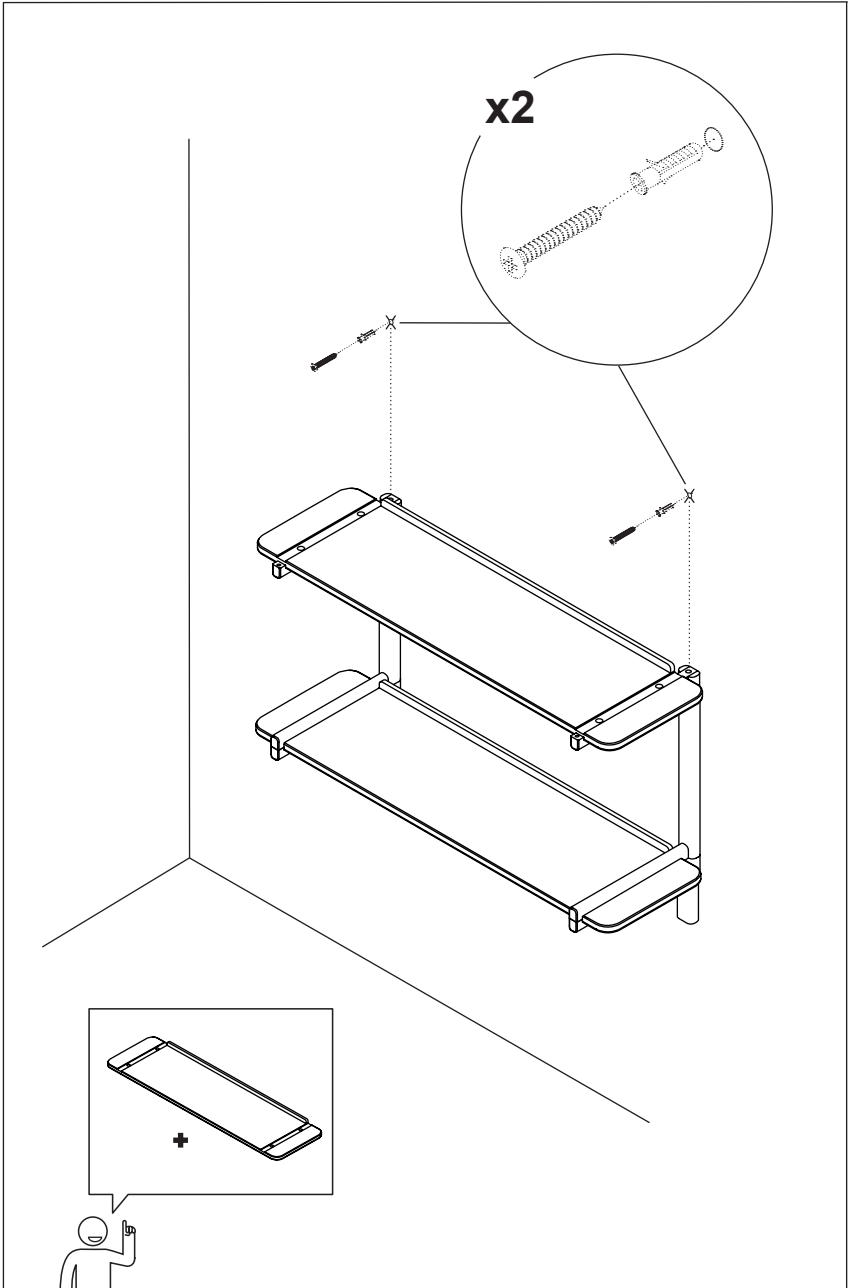


5

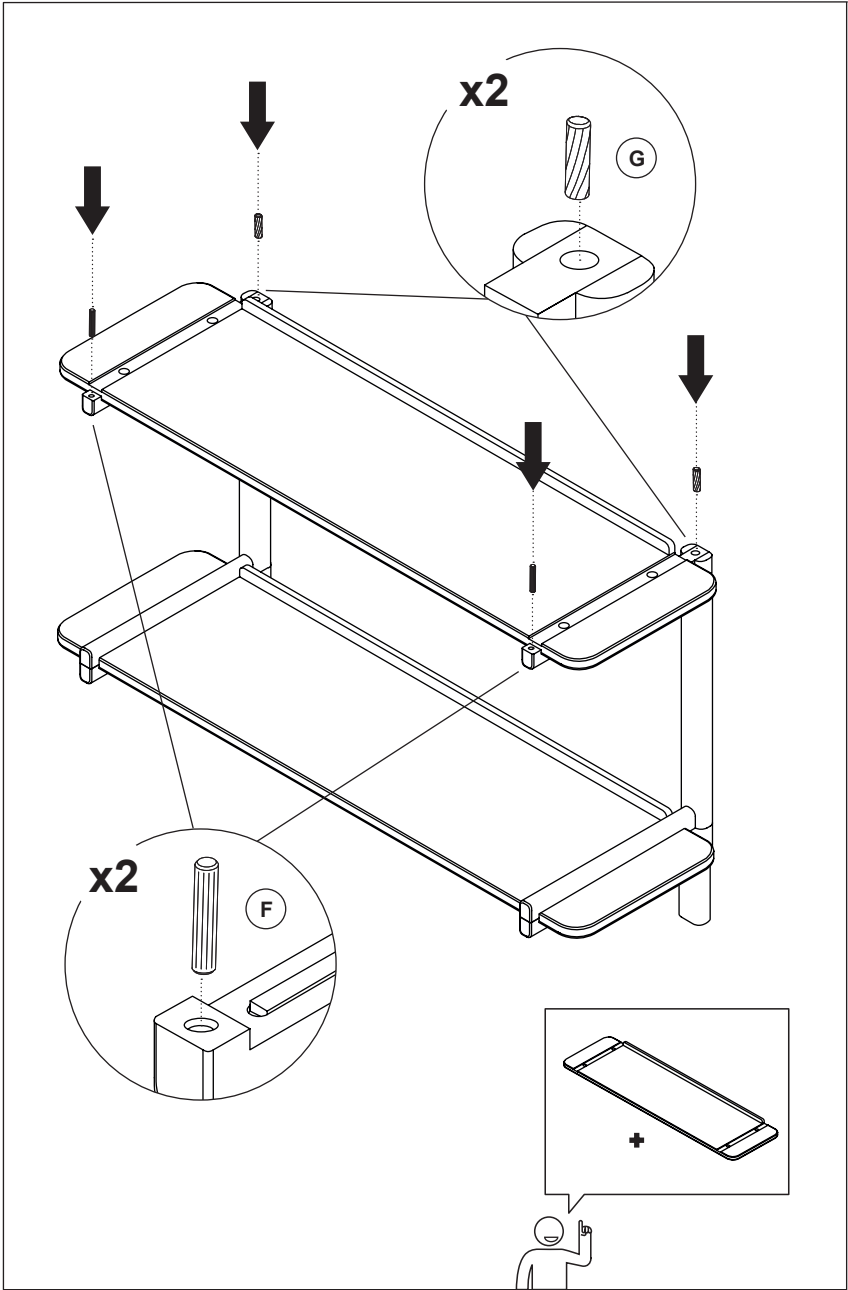




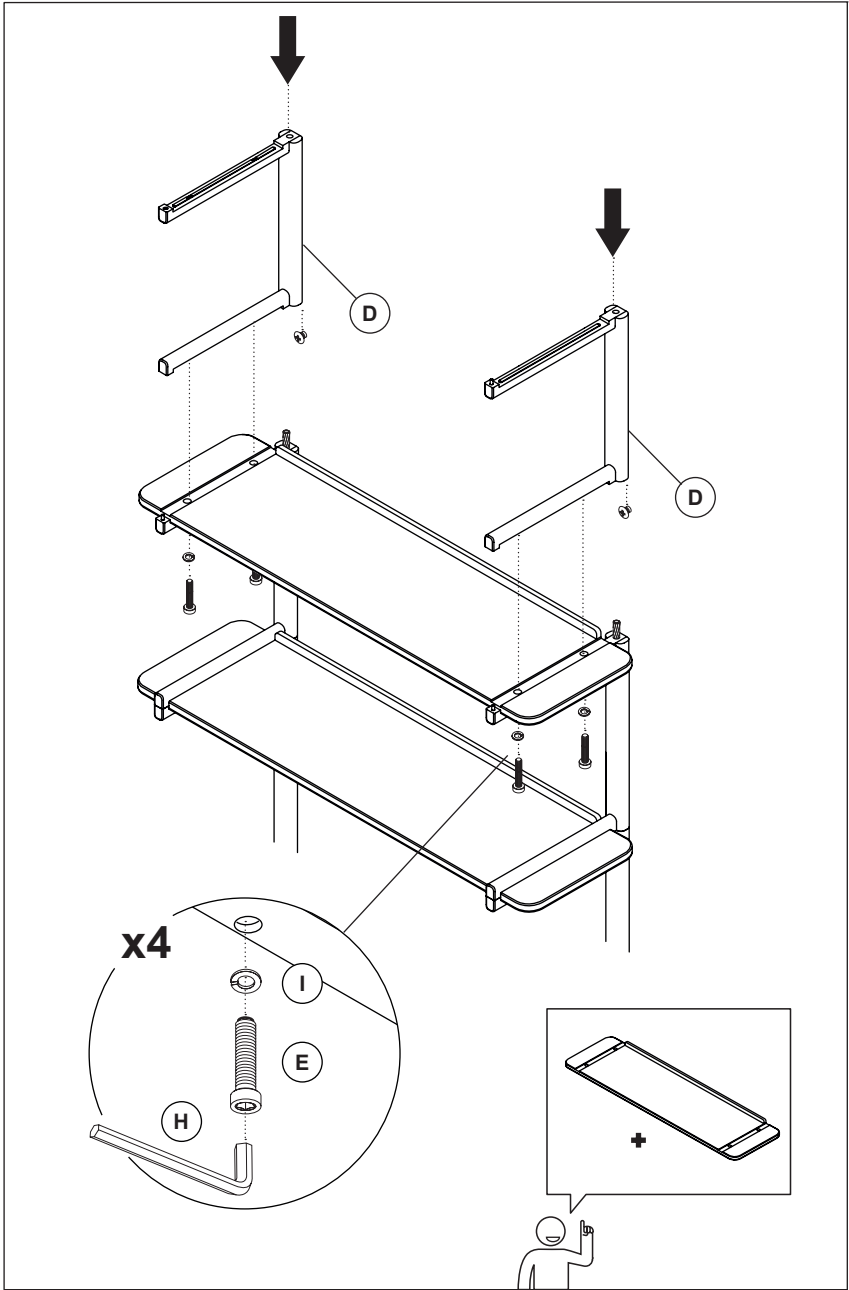
i



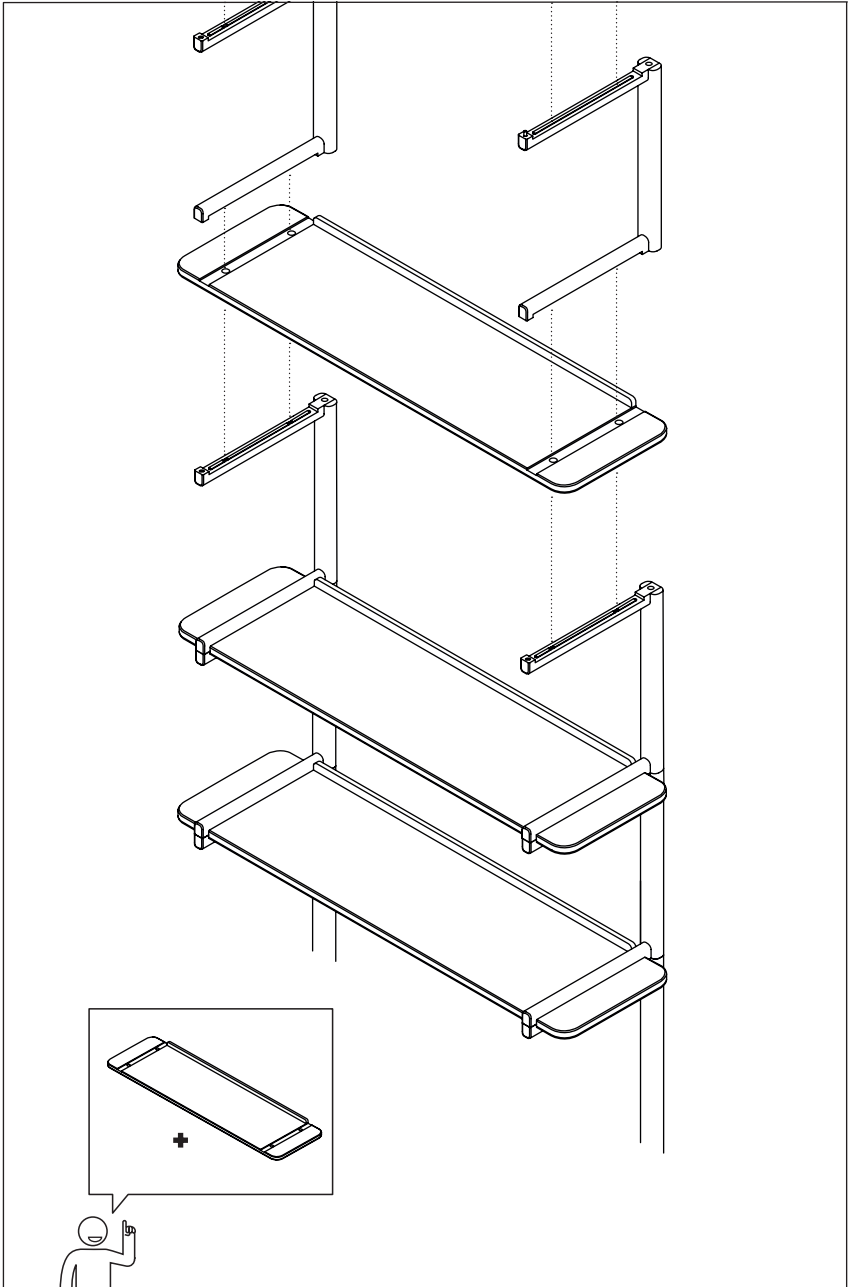
**i**



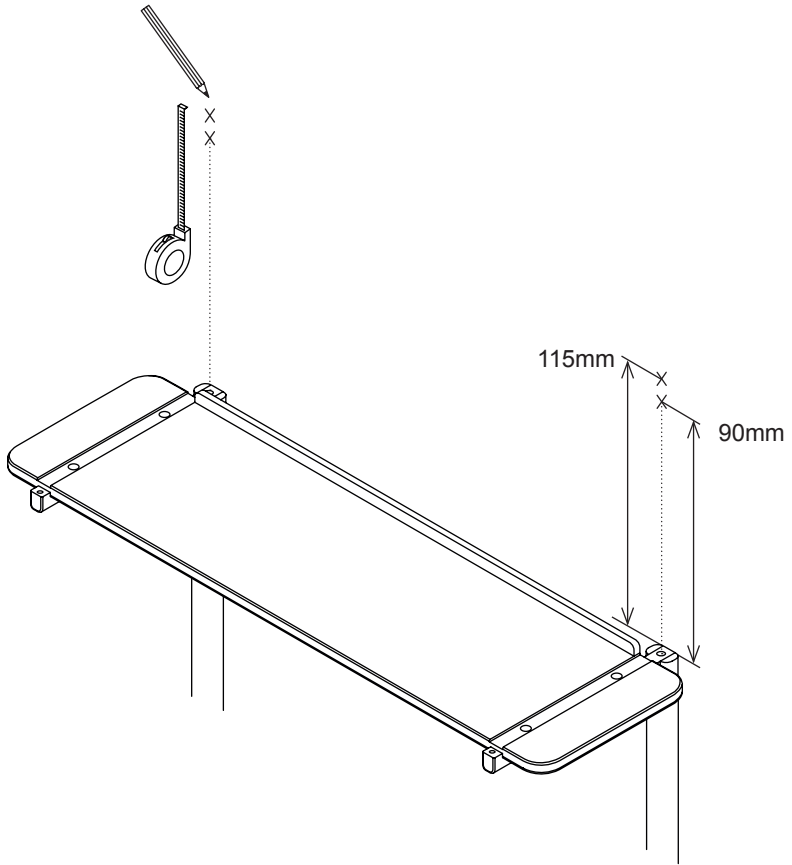
i



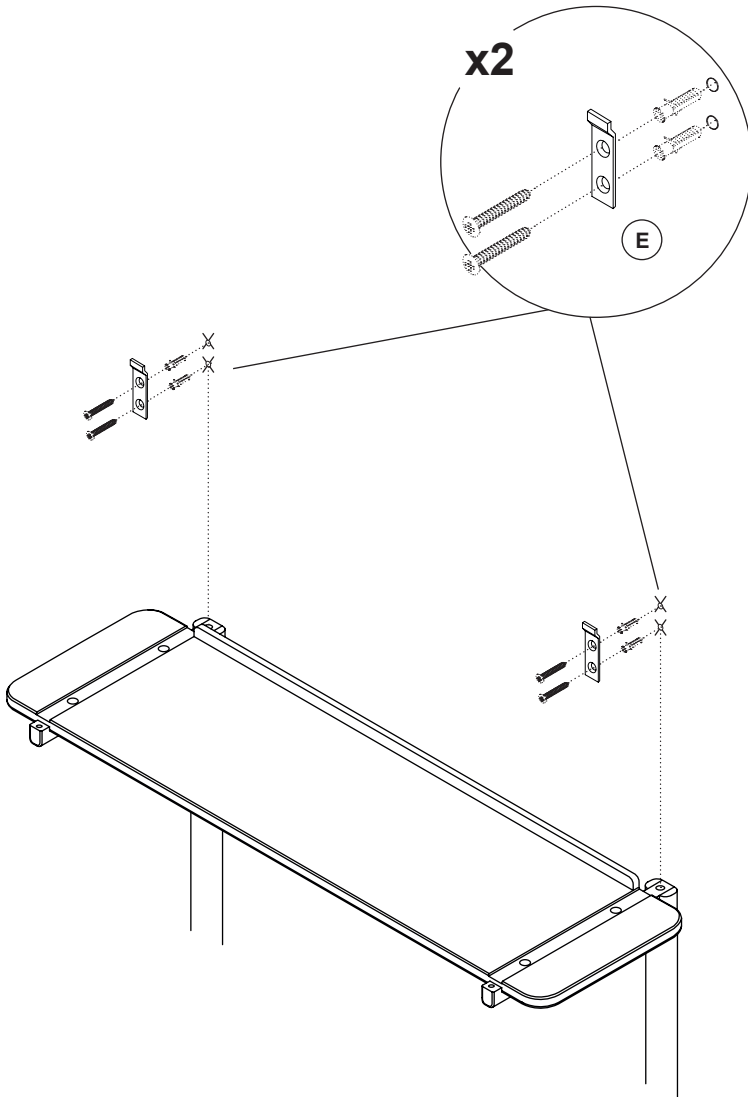
i



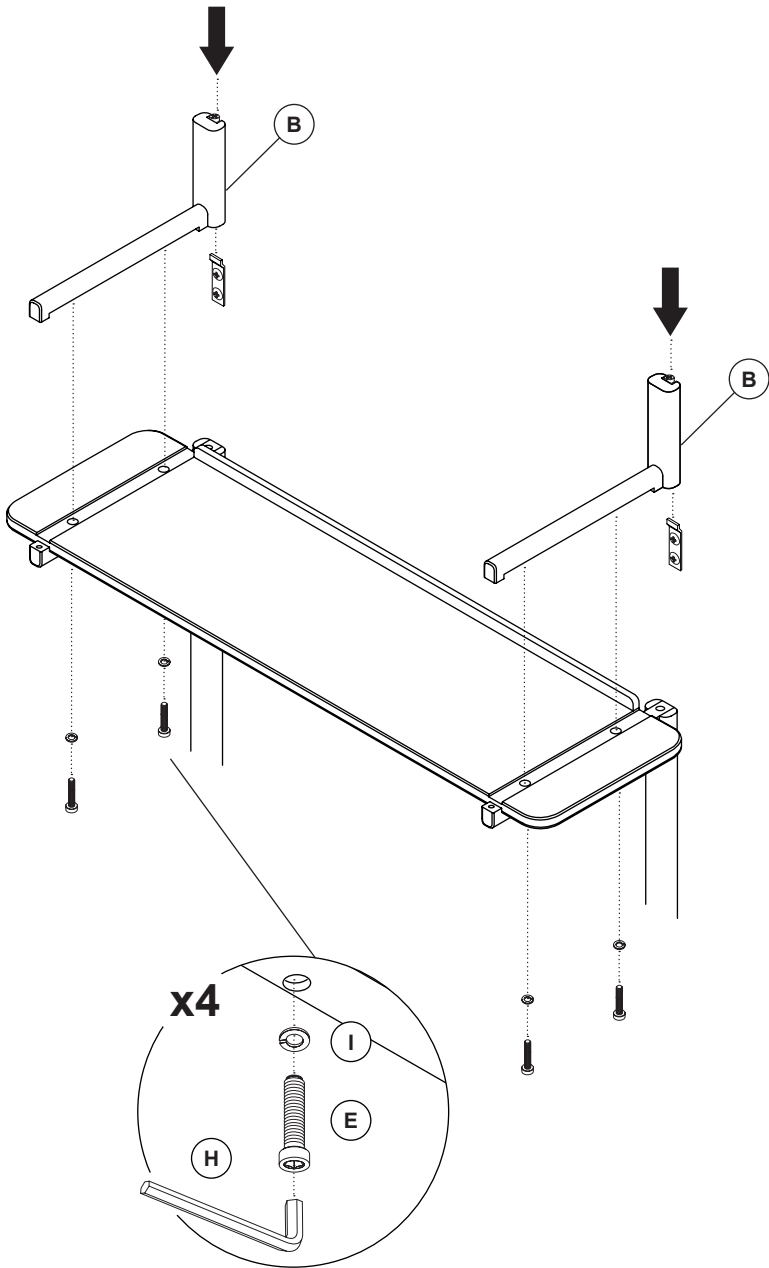
6



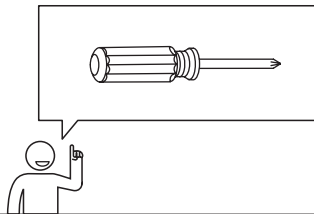
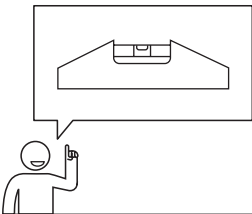
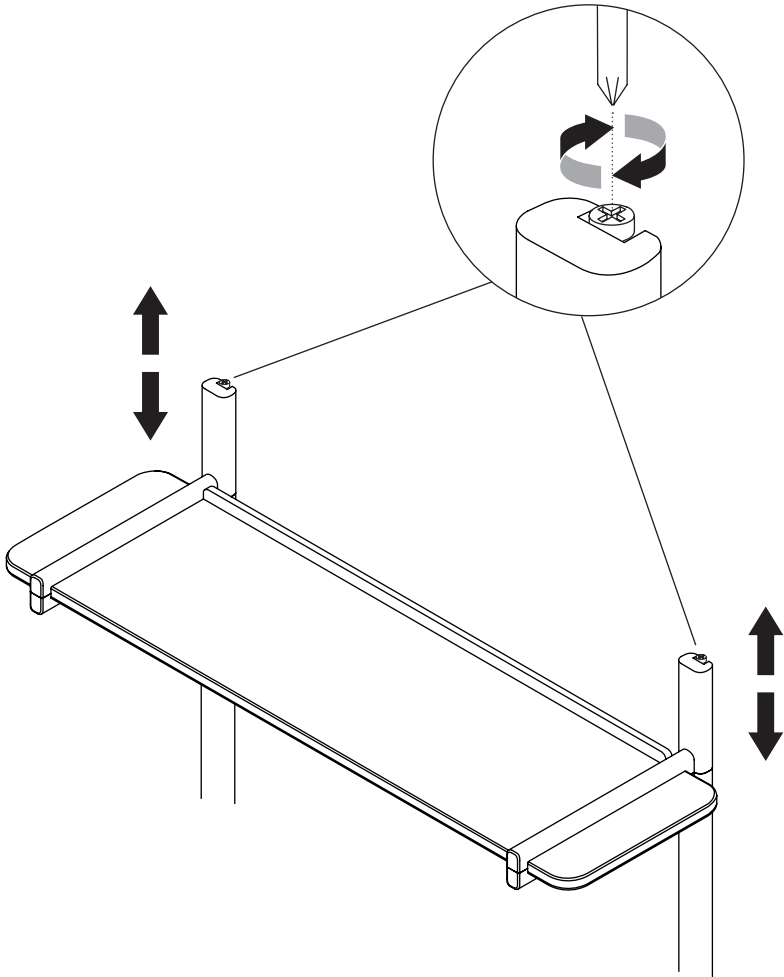
7



8



9



10

