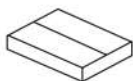




15 MIN



X1



X2



1 x2



2 x2



3 x2



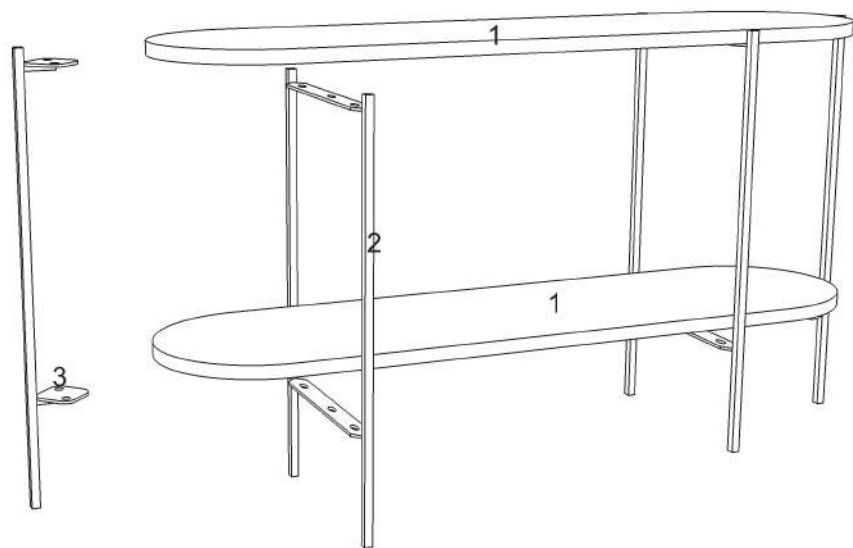
A x20



B x20

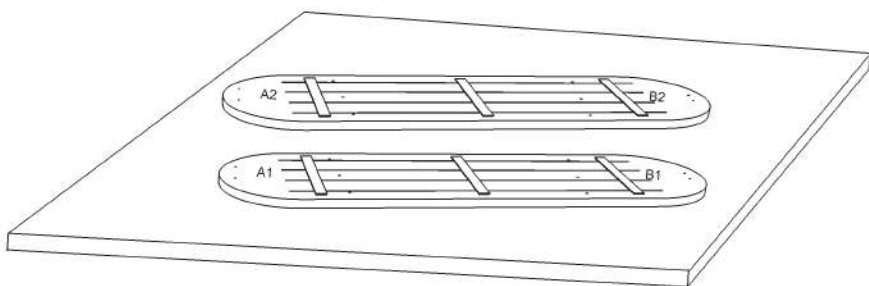


C x1



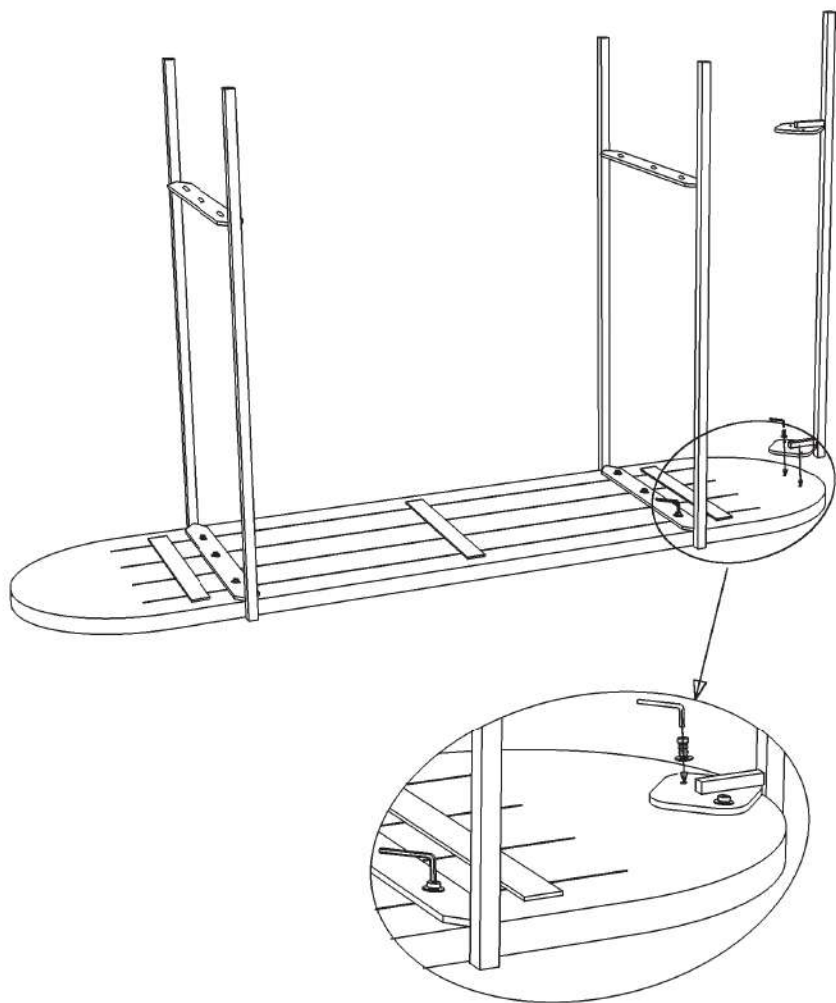


1



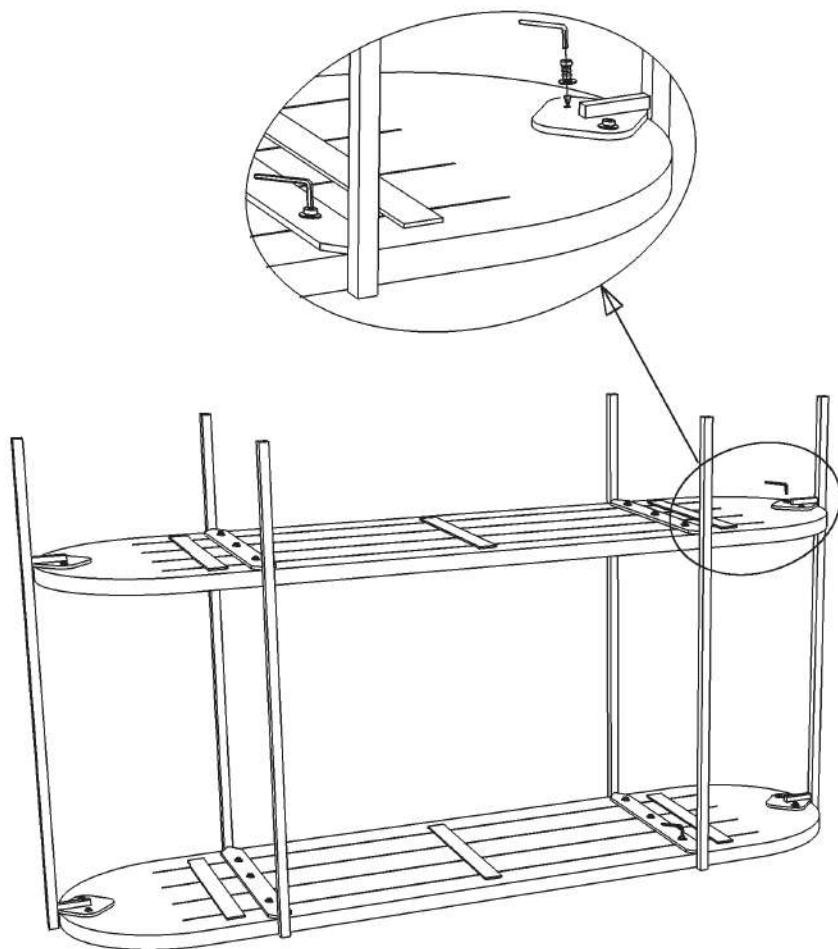


2



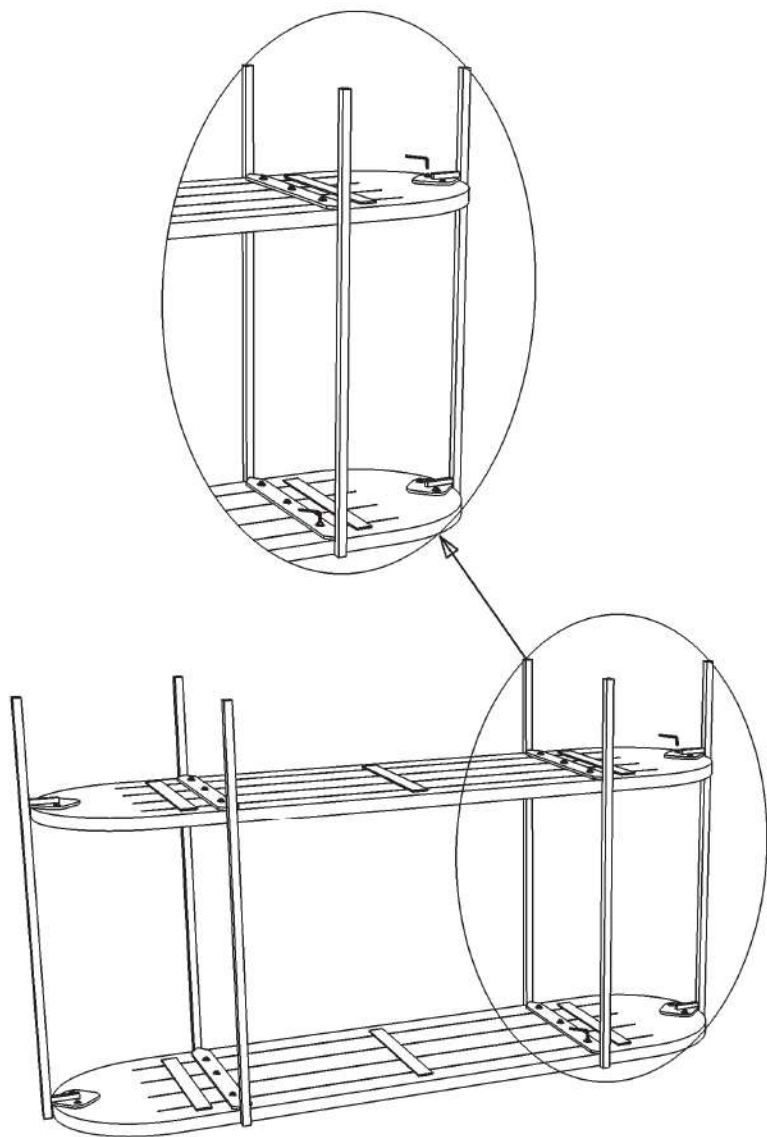


3





4







5

