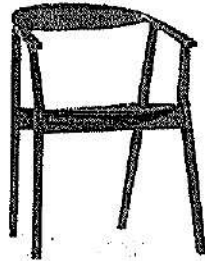


WARRANTY & ASSEMBLY GUIDE

24092579
 24092580
 24092581
 24092582
 24092583
 24092667
 241159-130



wrapping materials staples and straps from the carton. Refer to the hardware and furniture part list for guidance. Be sure you have all parts before you start assembling. Place all the wooden furniture part on a clean and flat surface, such as carpet or rubbermat to prevent scratches.





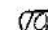





**REGISTER & ACTIVATE
 YOUR WARRANTY
 WITHIN 14 DAYS!**

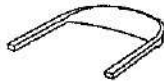
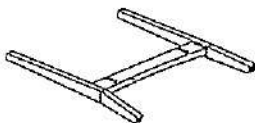
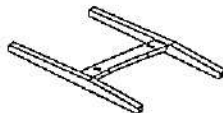
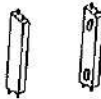

Log onto www.nesthouz.com/warranty to register and activate your product warranty within 14 (fourteen) days from purchase date.

Note: please use the batch number as printed on the carton box packaging of your product for registration purposes
 ALL NESTHOUZ products have a 1(one)year warranty unless stated or upgraded.

Caution

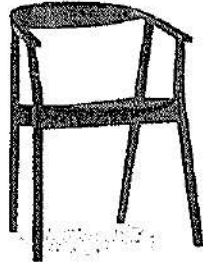
KEEP ALL PARTS OUT OF REACH CHILDREN.

ITEM	HARDWARE LIST	QTY	Spare Qty
1	JCBC SCREW M6 X 55MM 	4	1
2	JCBC SCREW M6 X 20MM 	4	1
3	HANDLE SCREW M4 X 16MM 	4	1
4	SPRING WASHER M6 	4	1
5	SCREW PIN 15 X 15MM 	4	1
6	ALLEN KEY M4 (BALL SHAPE) 	1	
7	CSK CB SCREW M5 X 32MM 	4	1
8	MATEL PLATE 	4	1
9	WOOD DOWEL M10 X 30MM 	6	2
10	ADJUSTABLE SCREW 6 X 16MM 	4	1

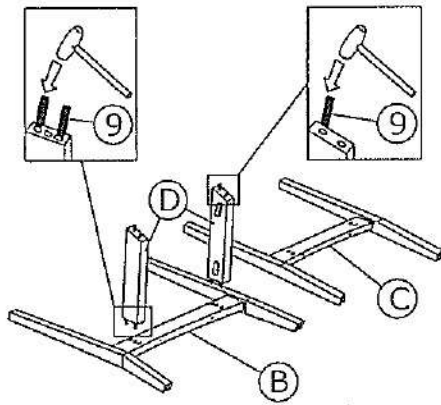
ITEM	PART LIST	QTY
A	BACK PANEL 	1
B	FRONT LEG 	1
C	BACK LEG 	1
D	SUPPORT BAR 	2
D	CHAIR SEAT 	1

WARRANTY & ASSEMBLY GUIDE

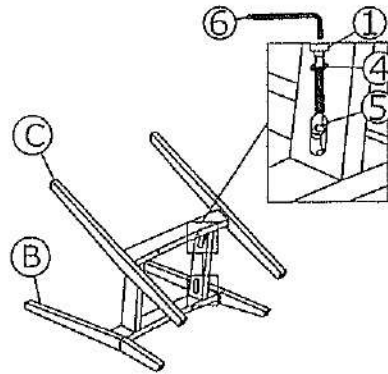
24092579
24092580
24092581
24092582
24092583
24092667
241159-130



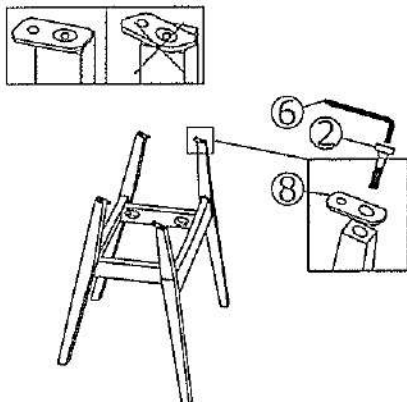
STEP 1:



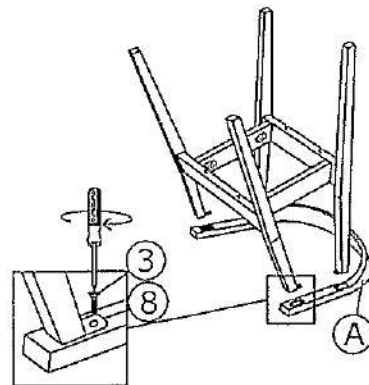
STEP 2:



STEP 3:



STEP 4:

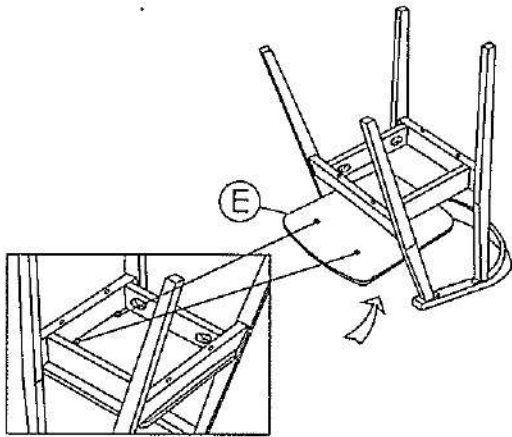


WARRANTY & ASSEMBLY GUIDE

24092579
24092580
24092581
24092582
24092583
24092667
241159-130



STEP 5:



STEP 6:

