

# ASSEMBLY INSTRUCTION

## SIDE CABINET OF ITEM CODE: WF-NS2805

This instruction suitable for 300\*40\*200cm



### PRE-ASSEMBLY PREPARATION

Before you start:

1. Choose a clean & spacious assembly area, avoid hard surfaces that may damage the product.
2. Take care when lifting product. It should be assembled as near as possible to the point of use.
3. Ensure that you have all required contents for complete assembly.
4. Always read the assembly instructions carefully before assembly is finished.
5. Keep all hardware parts and packing material out of children.
6. Do not over tighten the screws and bolts as this may cause damage.
7. Estimate assembly time: 2hrs 30min.
8. Additional Tools required is screw-driver.



Serious or fatal injuries may occur from furniture toppling over.

For security, please follow the below recommendations:

- Never allow children to climb on or hang off of any part of this product
- Unless specifically designed to accommodate, do not set TVs or other heavy objects on top of this product

If this product has drawers:

- Place the heaviest items in lowest drawers
- Do not open more than 1 drawer at a time as this may cause the product to become unbalanced
- Do not tamper with or remove any drawer interlocking/sliding system
- Please use this product with caution
- This is a permanent label. Do not attempt to remove!

## VIDEO ASSEMBLY AVAILABLE

# ASSEMBLY VIDEO

### EW003 EXECUTIVE DESK - RIGHT RETURN



SCAN THE QR CODE TO  
THE LEFT WITH YOUR  
PHONE TO BE TAKEN  
DIRECTLY TO A VIDEO  
DEMONSTRATING THE  
ASSEMBLY OF YOUR  
PRODUCT.

FREE QR READING APPS CAN BE FOUND ON YOUR APP STORE

**NOTE:** We understand that this assembly video may be filmed in fast motion (to fast track the labour) or quality of filming environment may vary. Please use this video as an aid or guidance if required.

## PRODUCT CHECK


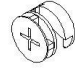
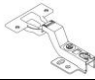

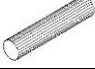



Upon receiving the furniture, please check product size, carton quantity and the direction of the side cabinet's location is correct prior to assembly.

NS2805 executive table set should be packaged in 3 cartons. The shipping mark to be show on 7-1, 7-2, 7-3, 7-4, 7-5, 7-6 and 7-7..

## PARTS LIST

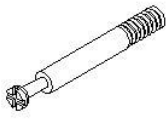
Carton No.	Panel No.	Panel Size (CM)	Qty	Carton No.	Panel No.	Panel Size (CM)	Qty
7-1	1	230*39.8*5	1	7-5	11	55.6*34.5*2.5	2
7-2	2	230*39.8*5	1	7-6	12	230*40*1.5	2
7-2	3	230*39.8*5	1	7-7	13	113.7*100*1.5	2
7-1	4	230*39.8*5	1	7-6	14	99.1*116.2*1.5	1
7-3	5	200*39.5*5	1	7-3	15	200*39.5*5	1
7-4	6	200*39.5*5	1	7-1	16	55*39.3*5	2
7-4	7	40*35.9*2.5	4	7-1	17	55*37.6*5	2
7-4	8	100*36.1*2.5	1	7-7	18	190*55*1.5	1
7-4	9	40*34.5*2.5	2	7-6	19	99.6*54.6*1.5	1
7-5	10	113.7*34.5*2.5	4				

### Accessories list (in carton 7-4)

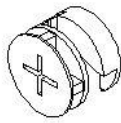
No.	Name	Size(mm)	Qty	Drawing
A	3 in 1 minifix- Bolt (single side with thread)	40	132	
	3 in 1 minifix-Cam	Φ 15	132	
B	Hinge-Inset		3	
E	Slide Door wheel		6	
F	Clothes Pole		1	
G	Clothes Pole bracket		2	
I	Furniture glide nail	26	12	
J	Short Screw	3.5*14	80	

### GENERAL ASSMEBLY DETAILS:

## How to use 3 in 1 Mini-Fix Cam & Pins (Accessory A) Fasteners



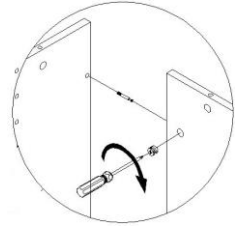
Bolt



Cam

Cam lock fasteners are used to join two pcs boards together.

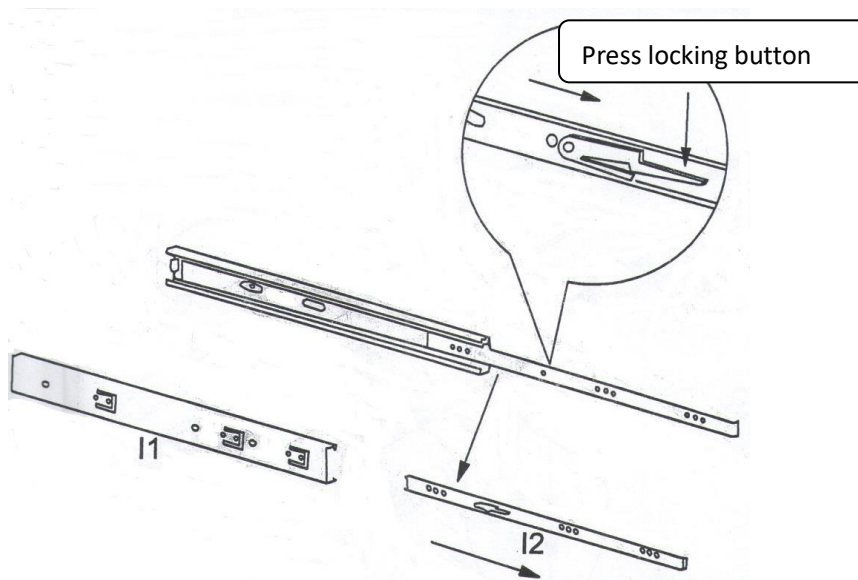
1. All white sockets have been pre-installed in the boards to secure the bolts
2. Using a screw driver or cordless drill, do not overtighten Bolts.
3. Use a flathead screwdriver to turn and tighten the Cam lock in a clockwise direction until the head of the pin is tightly secured. **DO NOT USE A CORDLES DRILL**



## How to separate drawer sliders?

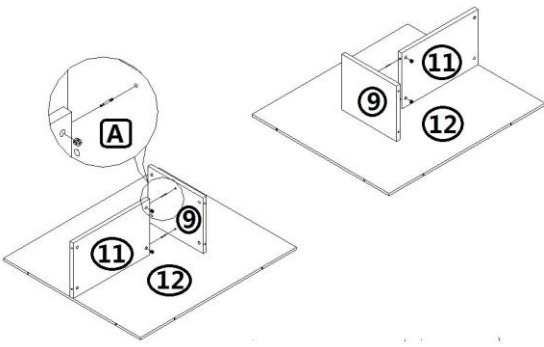
The drawer slide I1 & I2 may be connected.

Carefully pull out slide part I2 and press the plastic clip/lever to unlock to fully separate the two parts of the runner.

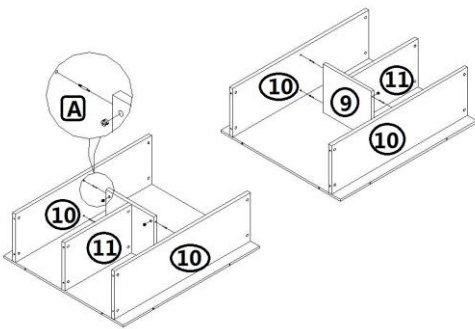


### START TO ASSEMBLY

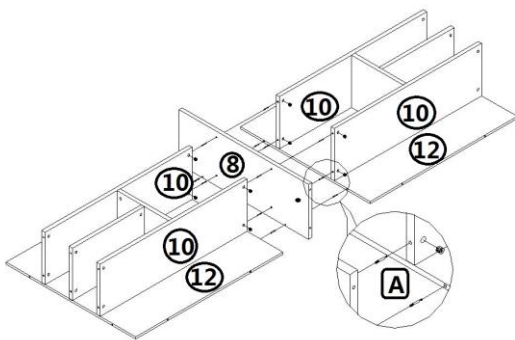
1. Assemble all panels No.9, 11 and 12 as pictured using accessories A.



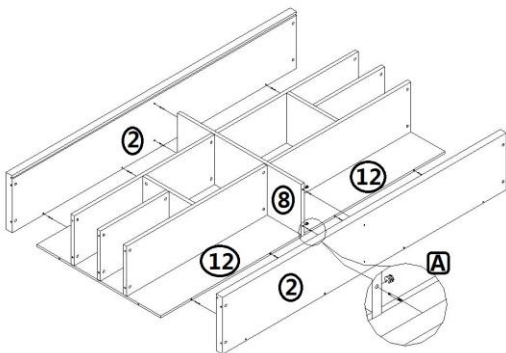
**2. Attach panels No.10 to both sections using accessories A.**



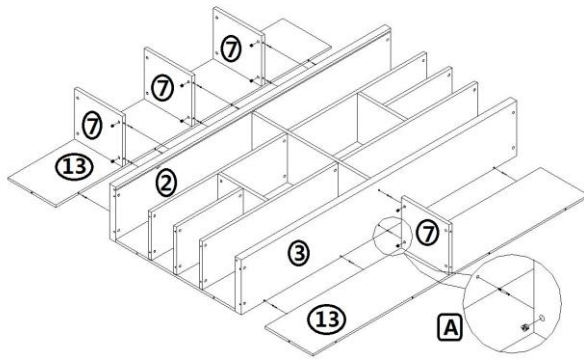
**3. Insert panel No.8 and connect using accessories A.**



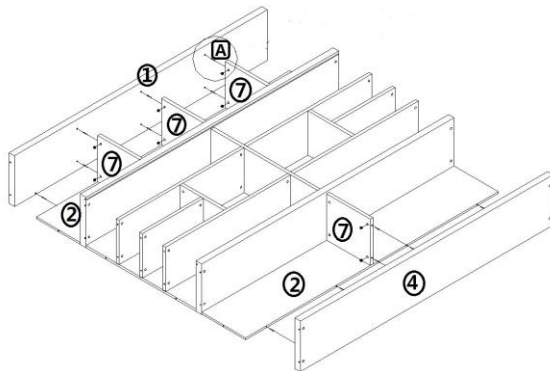
**4. Attach top and bottom panel No.2 by accessories A.**



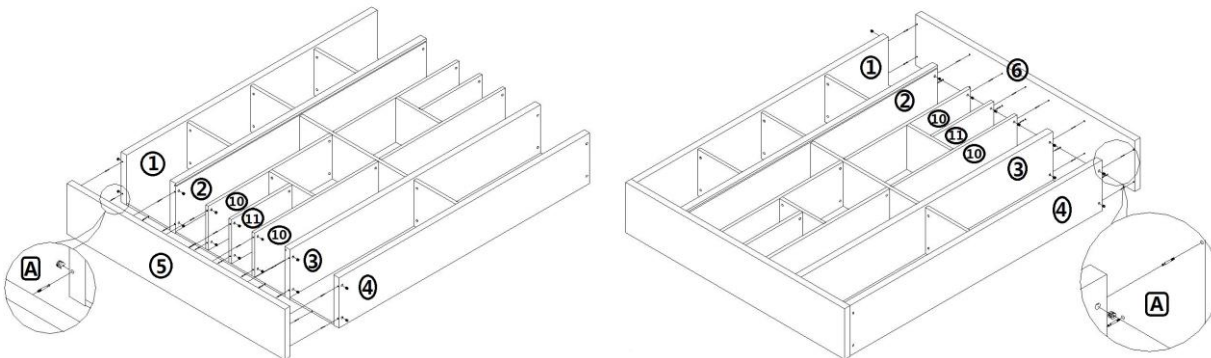
**5. Assemble panel No.7,13 with other panels by accessories A.**



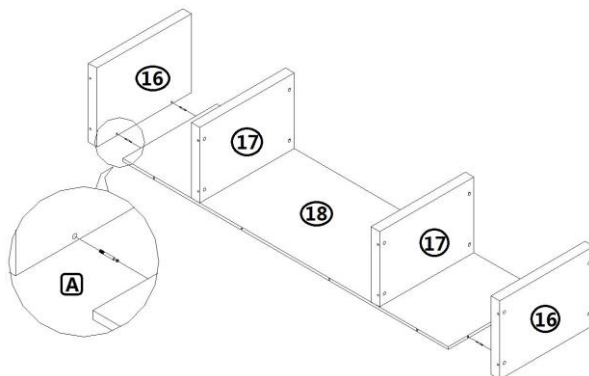
6. Assemble panel No.1 & 4 with other panels by accessories A.



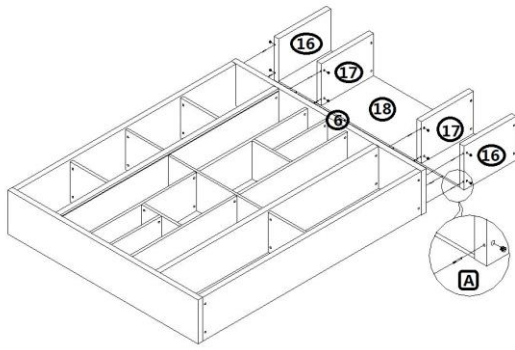
7. Attach end panels No.5 & 6 by accessories A.



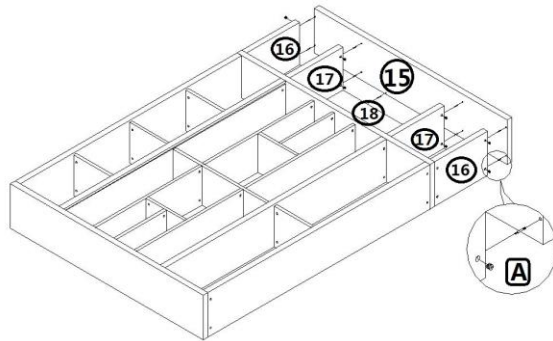
8. Assemble shelves with panel No.16,17 and 18 by accessories A.



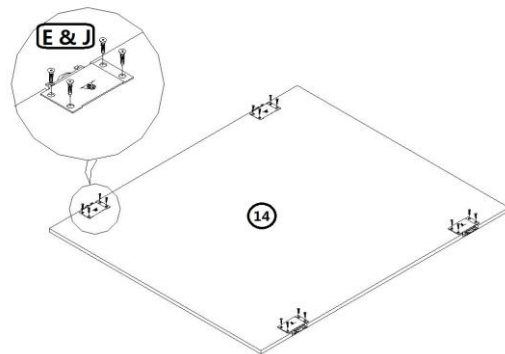
9. Assemble shelf system to panel No.6 by accessories A.



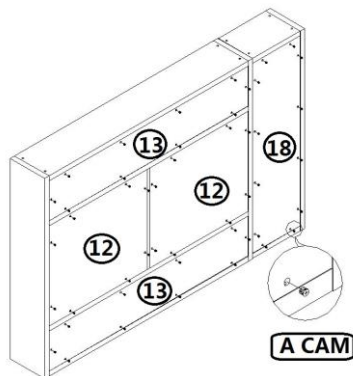
10. Attach end panel No.15 with other panels by accessories A.



11. Assemble slide door wheel E using screws J onto panel No.14.

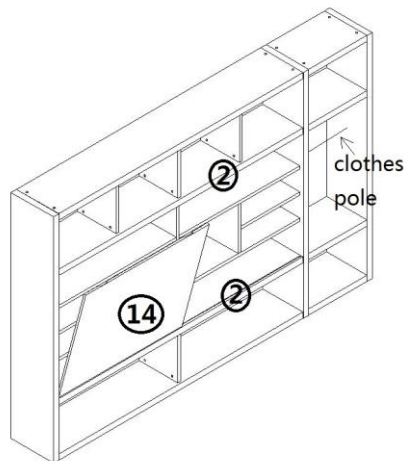


12. Tighten cam locks A CAM at back panel No.12,13 and 18.

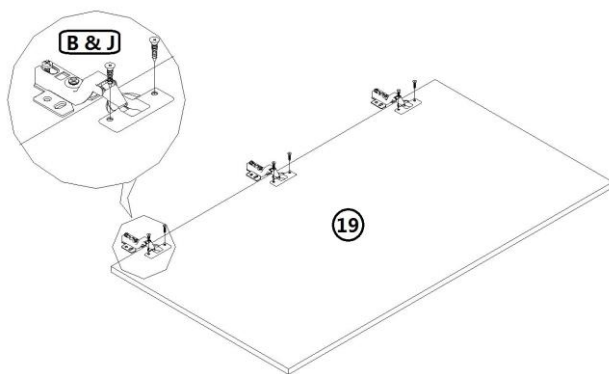


13. Insert panel No.14 into the aluminum track of panel No.2

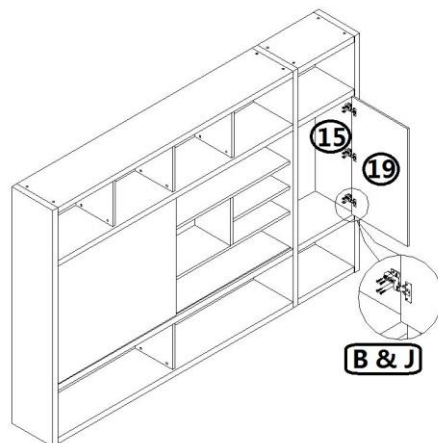
14. Tighten the clothes pole bracket by screw J and attach pole.



15. Tighten hinge B by screw J.

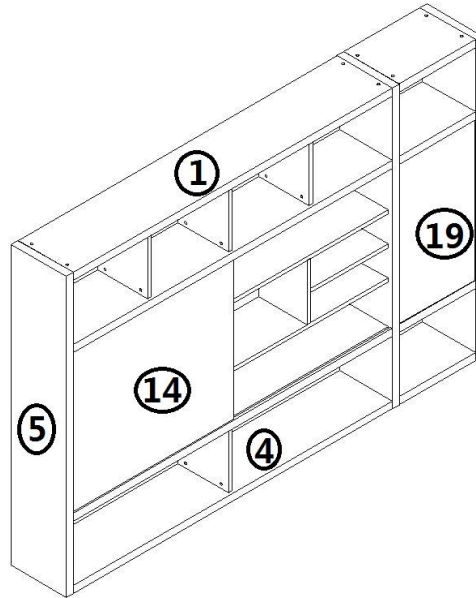


16. Assemble panel No.19 to cabinet by screw J



You may choose to use the decals to cover any Cam locks that are visible.

**Finished assembly**



## FINAL NOTE:

Do not drag the furniture as this may cause damage to the legs. Instead, ask at least 2 persons to lift carefully with caution from either end.

## IMPORTANT: CARE GUIDE FOR YOUR MELAMINE BOARD FURNITURE

Please read up on important information regarding your furniture.

- Dust frequently with a clean damp, lint-free cloth.
- Avoid using chemicals or solvents when cleaning the furniture.
- Do not place hot objects on any furniture surface.
- Avoid exposing your furniture to strong sunlight.
- Do not expose your furniture to any liquids.
- Do not allow sharp or rough object scratch the surface of furniture.
- When moving furniture, do not drag it across the floor.