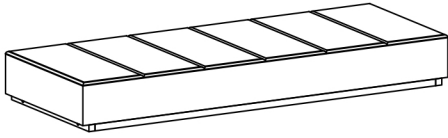
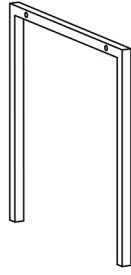


ASSEMBLY INSTRUCTION

A x 1



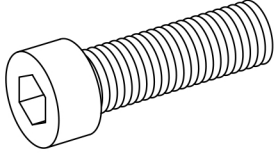
B x 2



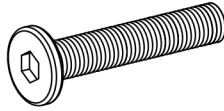
C x 1



D x 4



E x 4



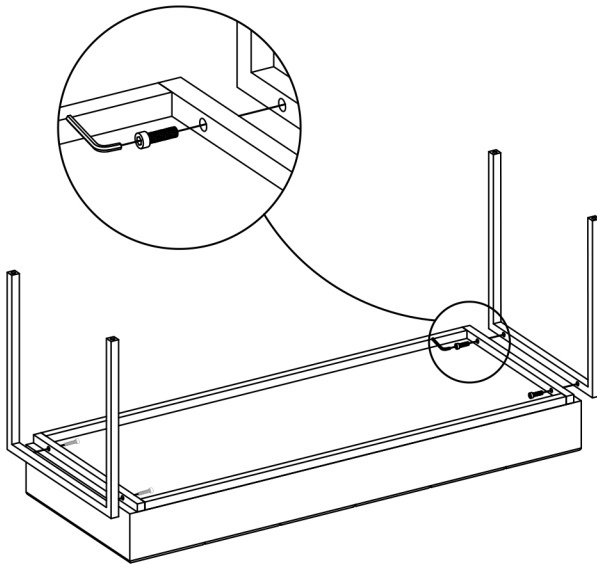
F x 1



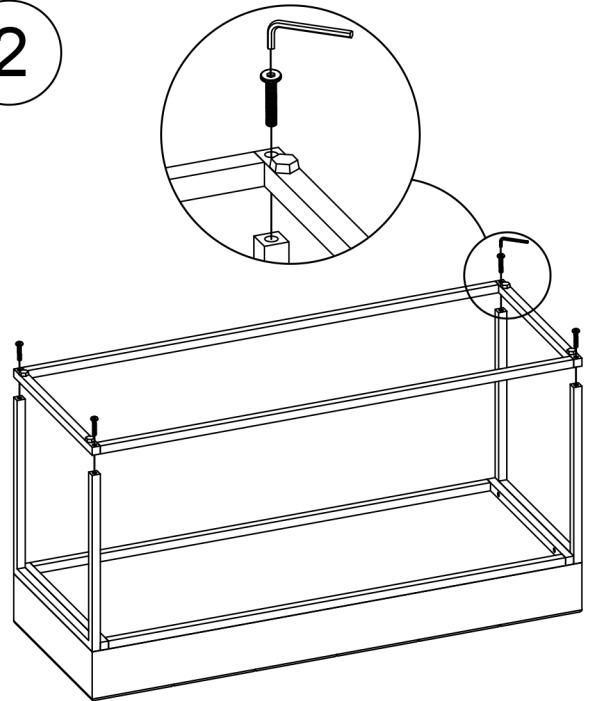
G x 1



1



2



3

