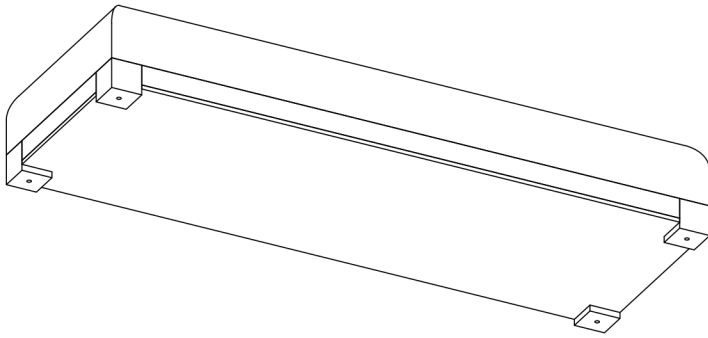


ASSEMBLY INSTRUCTION

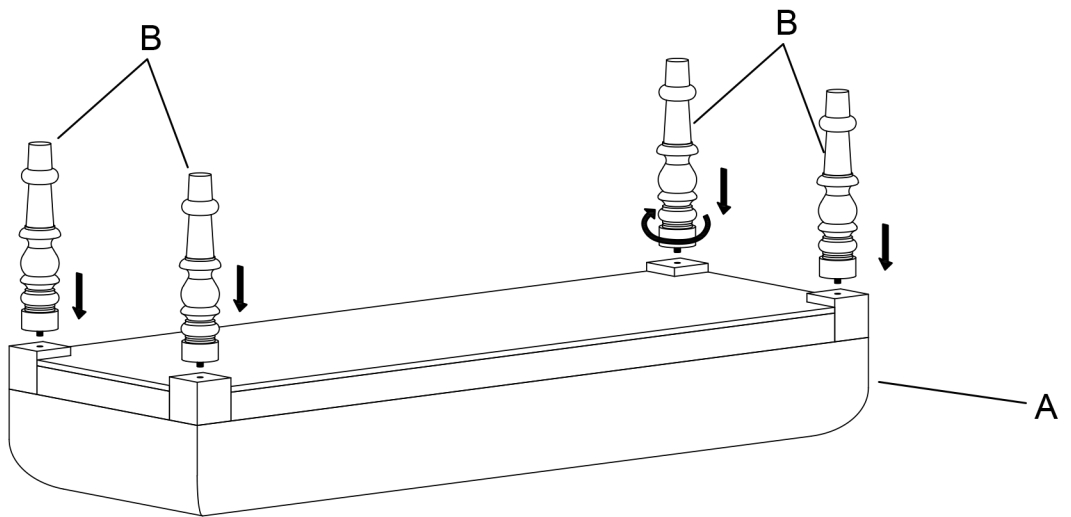
AX1



BX4



①



②

