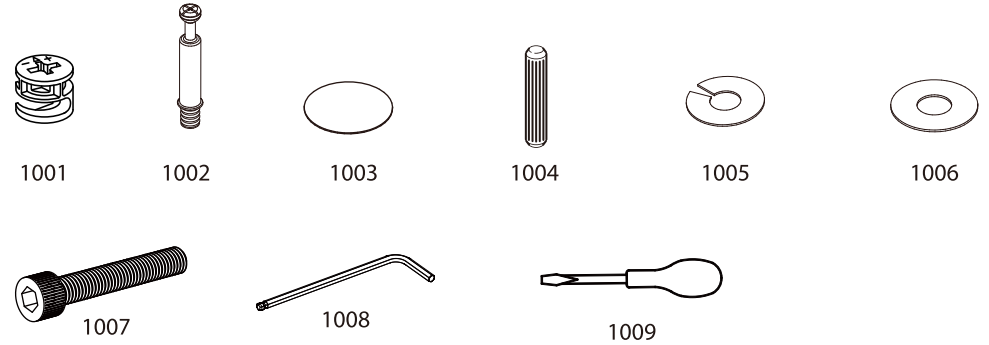
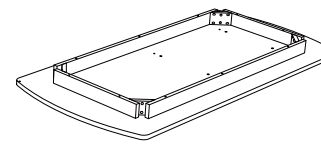


HARDWARE & TOOL DETAILS



CODE	NAME	QTY	EXTRA
1001	CAM LOCK	12 pcs	0
1002	CAM PIN	12 pcs	0
1003	CAM COVER	12 pcs	0
1004	DOWEL	12 pcs	0
1005	SPRING GASKET	08 pcs	0
1006	GASKET	08 pcs	0
1007	SCREW	08 pcs	0
1008	N6 SPANNER	01 pcs	0
1009	STAR SCREW-DRIVER	NOT PROVIDED	

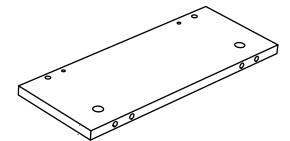
COMPONENT DETAILS



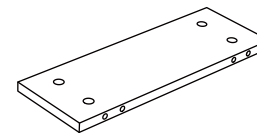
DESK TOP PANEL **P1**  
Qty: 01



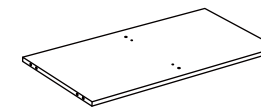
SUPPORTING LEG **P2**  
Qty: 04



SIDE PANEL **P3**  
Qty: 02



PARTITION **P4**  
Qty: 01



FIXED PANEL **P5**  
Qty: 01

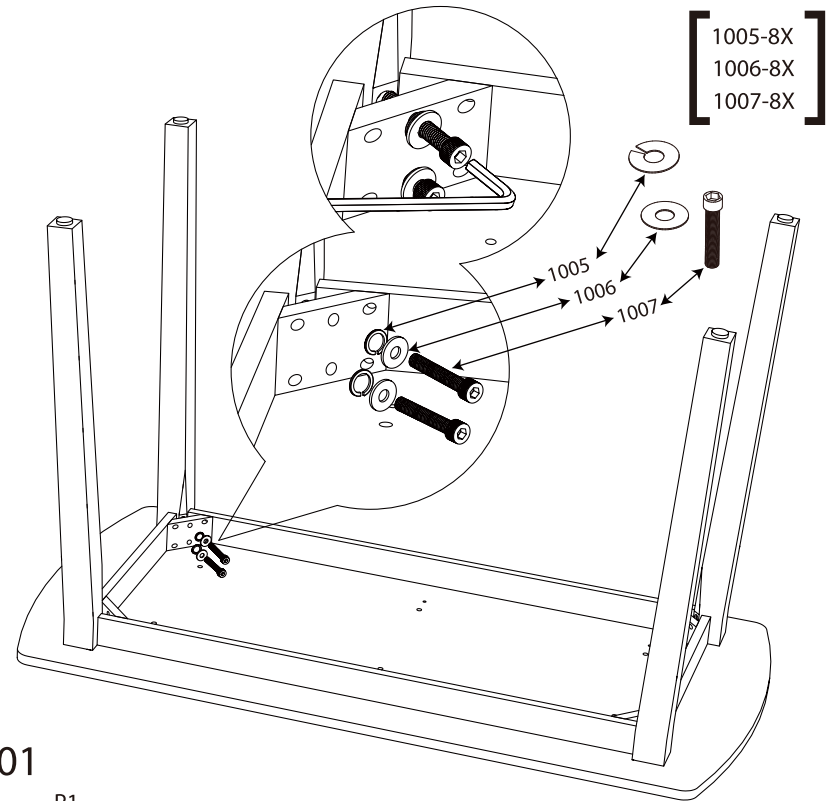
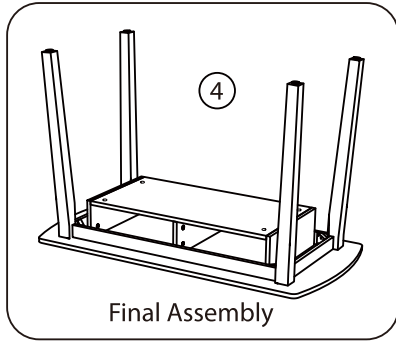
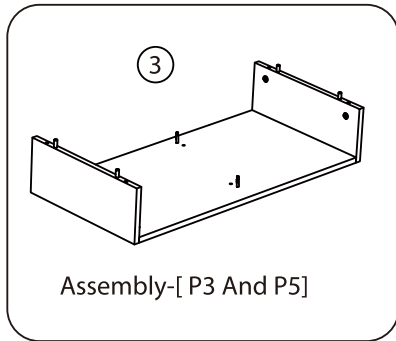
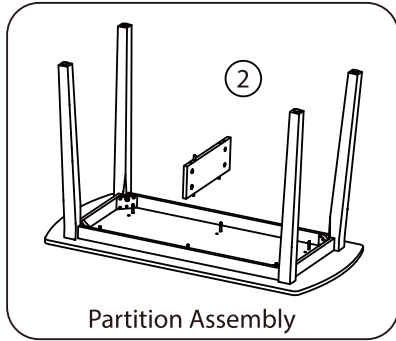
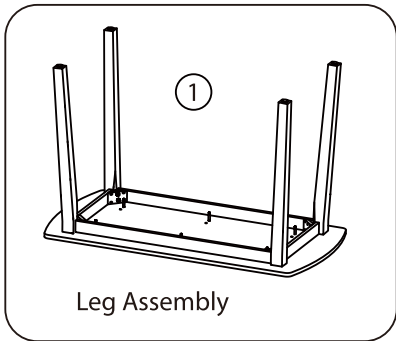


MODERN DESIGNS  
BY CRAFTS & COMFORT

IMPORTANT NOTES

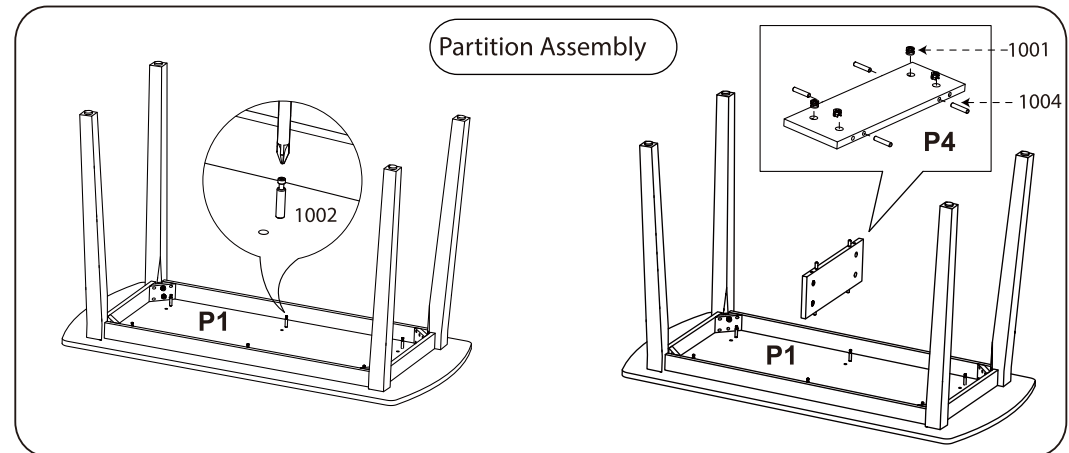
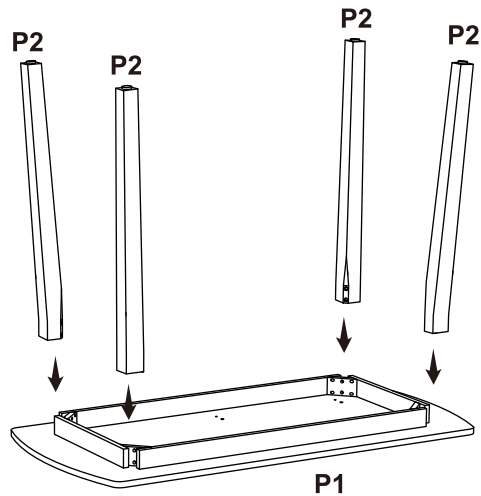
1. Place all wooden parts on a clean and smooth surface such as a rug or carpet to avoid the parts from being scratched.
2. Check to be sure that you have all parts and hardware.
3. Remove all wrapping materials, including stopples & packing straps before you start assemble.
4. Keep all hardware parts out of reach of children

# ASSEMBLY OVERVIEW



## STEP:01

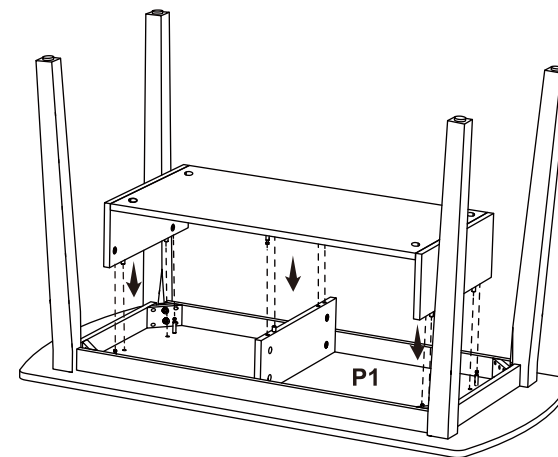
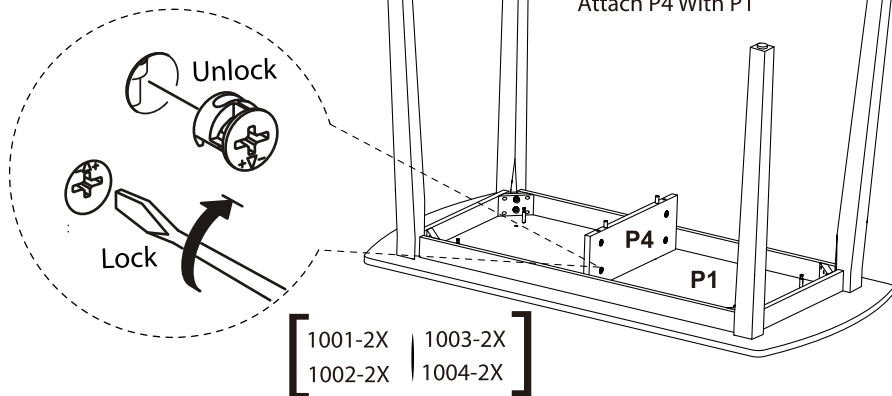
With Attach P2 P1  
[ Note : Fix Other Legs Following this Step ]



Partition Assembly

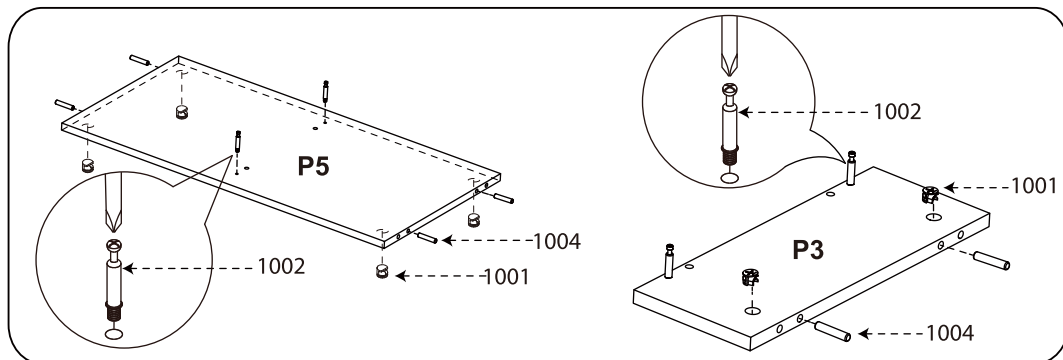
**STEP:02**

Attach P4 With P1



**STEP:04**

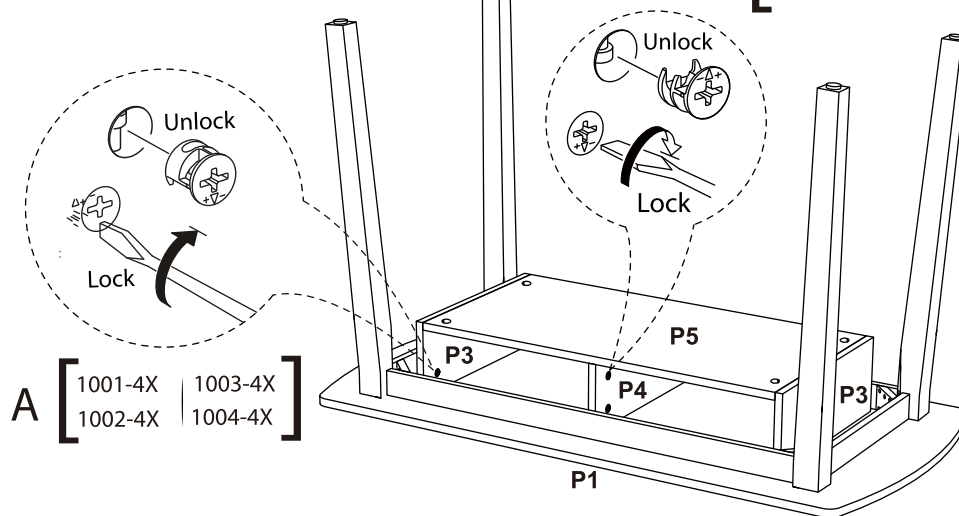
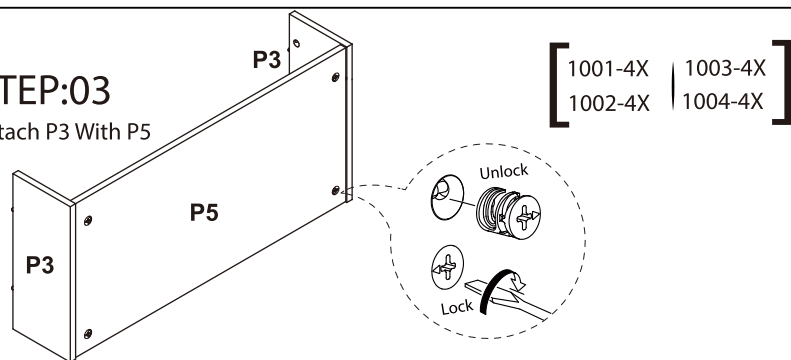
With A] Attach P3 P1  
With B] Attach P5 P4



**B** [ 1001-2X | 1003-2X  
1002-2X | 1004-2X ]

**STEP:03**

Attach P3 With P5



**[ REMEMBER ]**

Use Cam cover-1003  
After  
Using Cam Lock-1001

