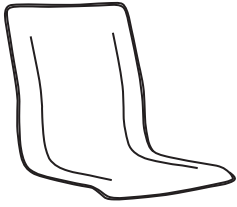

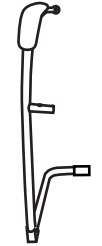






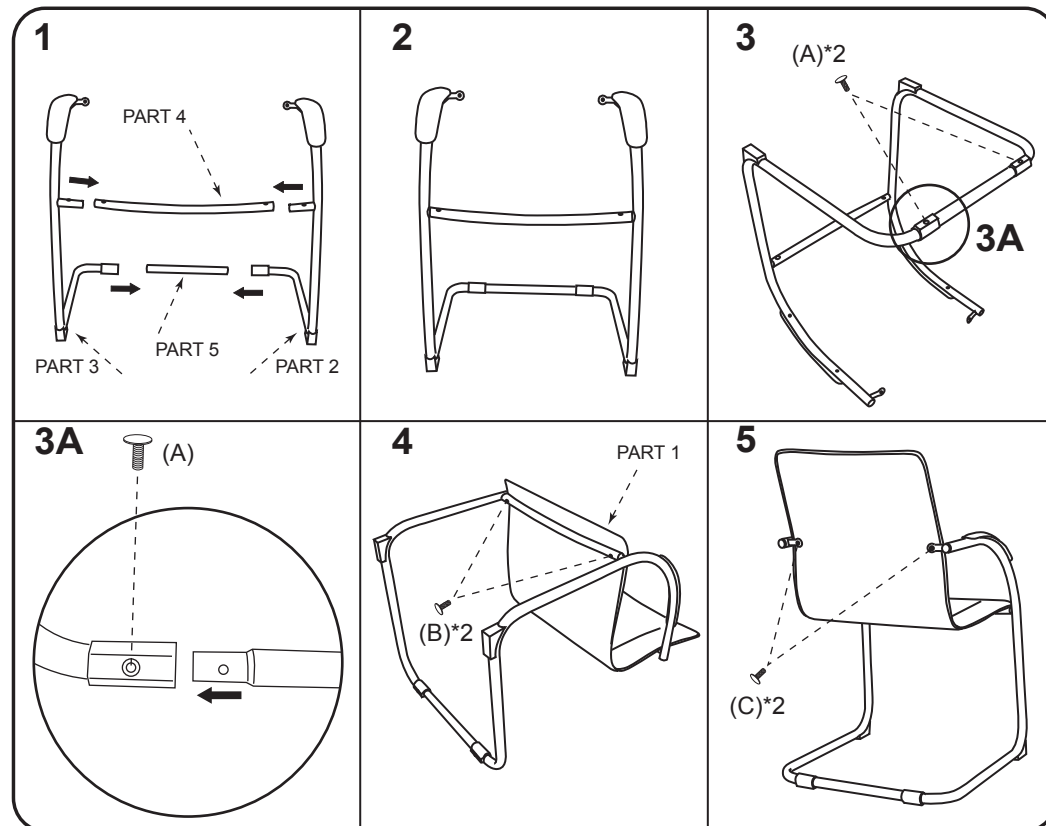


MODEL : B9530 B9535 YS12 YS112

(1)x1	(2)x1	(3)x1
	 Arm-Left	 Arm-Right
(4)x1	(5)x1	
		
(A)x2  M6 X 12 SCREWS FOR BOTTOM TUBE	(B)x2  LONG BLACK SCREWS FOR TOP TUBE AND SEAT	(C)x2  SHORT SILVER SCREWS FOR BACKREST
(D)x1  ALLEN KEY		



**Insert and loosely tighten all screws. When assembly is completed, fully tighten all screws before using. This chair is only intended for sitting. Any other use will void the warranty.**

