



Warranty

## AC SERIES (48") 1220MM CEILING FAN WITHOUT LIGHT WITH 3 SPEED WALL CONTROL

\*3 year in-home + additional 3 years on the motor.



- 1220mm (48") 4 Blade AC Ceiling Fan
- Includes 3 Speed Wall Controller
- Matt Black or White



AC Motor



Blade Pitch



Summer/Winter  
Reverse  
Function



3 Speed  
Wall Controller



Airflow Capacity  
7,600m<sup>3</sup>/hr



Quiet  
Operation

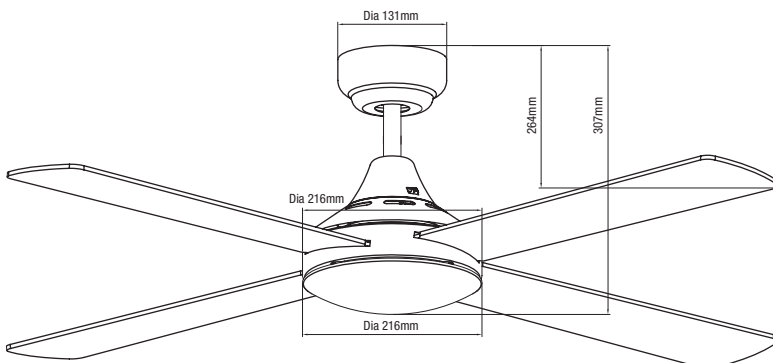


Hangsure  
Canopy



Indoor  
Use Only

### DIMENSIONS



## AC SERIES (48") 1220MM CEILING FAN WITHOUT LIGHT WITH 3 SPEED WALL CONTROL

### FEATURES

- Powerful and efficient low noise 55W AC motor
- 48" (1220mm) blade sweep
- 4 x painted sealed plywood blades

### SPECIFICATIONS

<b>Model name</b>	Link
<b>Model numbers</b>	FSL124M matt black FSL124W white
<b>Power (wattage)</b>	55W
<b>Motor</b>	AC
<b>Voltage</b>	220-240V/50Hz
<b>Blade/fan material</b>	Plywood/pressed metal
<b>Control</b>	3 speed wall control
<b>Remote control adaptable</b>	Compatible to Martec AC remotes: MPREMS, MPLCDS, MPAPP (Sold separately)
<b>Installation location</b>	Indoor only
<b>Fan diameter</b>	1220mm (48")
<b>Height of fan</b>	307mm
<b>Number of blades</b>	4
<b>Blade degree pitch</b>	11°
<b>Summer winter mode</b>	Yes
<b>Hangsure canopy</b>	15° maximum ceiling pitch



### INSTALLATION

<b>Installation</b>	By licensed electrician only
<b>Warranty</b>	6 Years Warranty (3 year in-home + additional 3 years on the motor)

\*For further information regarding warranty terms and conditions, please refer to enclosed warranty statement. Warranty is void unless installed by a licensed electrician.

### SHIPPING

<b>Packaging size</b>	L530mm x H240mm x D250mm
<b>Gross weight</b>	7.18kg
<b>Net weight</b>	6.28kg
<b>Cubics per Carton</b>	0.032CBM

### AVAILABLE IN MATT BLACK AND WHITE



Model	Colour	Barcode
FSL124M	Matt Black	9 312375 905578
FSL124W	White	9 312375 905561