

FLUSH AC Series Installation Guide

Thanks for choosing our Flush AC Series ceiling fan.
We strongly recommend that you read this manual carefully before installation.



Models Parameters (Fan Only):-

MFF133MM 1250mm 3 Blade Ceiling Fan Matt Black
MFF133WS 1250mm 3 Blade Ceiling Fan White Satin

Models Parameters (Fan and LED Light):-

MFF1333MM 1250mm 3 Blade Ceiling Fan Matt Black with 15W Tricolour LED Light
MFF1333WS 1250mm 3 Blade Ceiling Fan White Satin with 15W Tricolour LED Light

Part List:

| | | | |
|------------------------|---------------------------|------------------|----------------------|
| Qty 1x motor assembly | Qty 1x instruction manual | Qty 1x screw kit | Qty 1x balancing kit |
| Qty 1x hanging bracket | Qty 1x wall control kit | Qty 3x blade | |

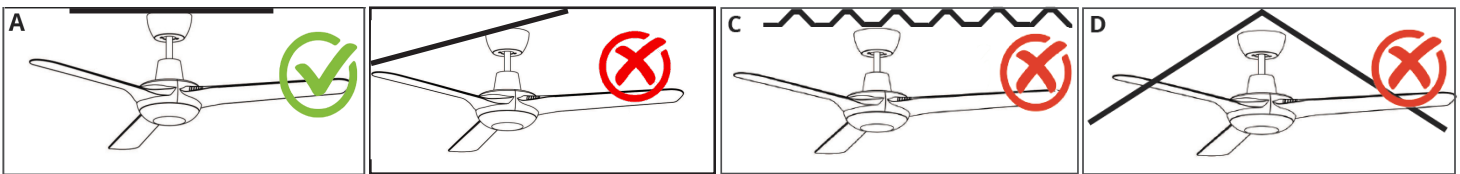
Application

Flat Surface / Ceiling

Slope Ceiling up to 15°

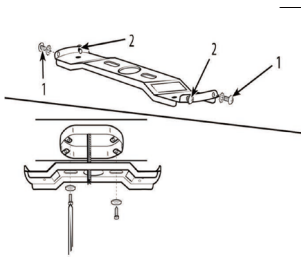
Corrugated Ceiling

Apex Ceiling



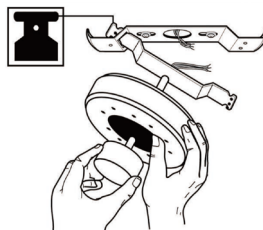
How to Assemble

Fig.1



Secure the hanger bracket to ceiling beam or a suitable piece of timber inserted between the ceiling beams using the two long screws supplied with the package. (See Fig.1)

Fig.2



Remove pre-installed screws from motor bracket and mounting plate. Hang fan from mounting plate by inserting T-shaped bracket into the slot. (See Fig.2)

Fig.3

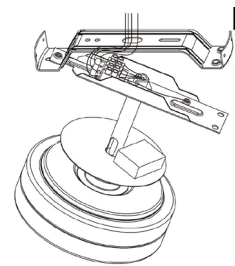
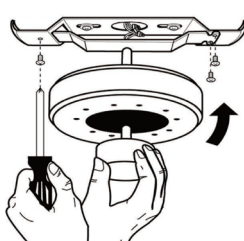
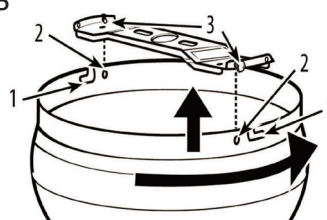


Fig.4



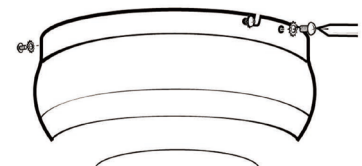
Push motor upward and secure the motor to the mounting plate by tightening the screws and washers provided. (See Fig.4)

Fig.5



Position no.1 and no.2 directly under and align with no.3. Rotate the motor housing clockwise until both screws from the mounting bracket drop into the slots. (See Fig.5)

Fig.6

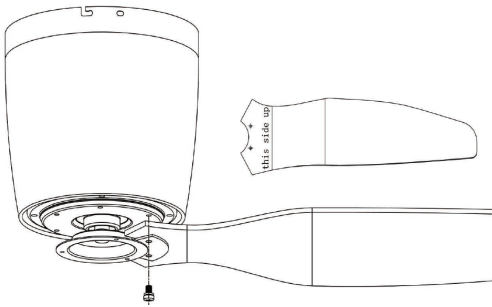


Insert and tighten screws and star washers into the mating holes to secure the motor housing. (See Fig.6)

WARNING Installation MUST carry out by a qualified and licensed electrician.

How to Install Blades

Fig.7

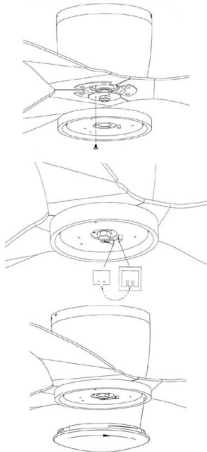


Align holes on the blades with holes at the bottom of the motor assembly. Tighten the blade using screws provided. Repeat the same step until all blades are installed.(See Fig.7)

NB: Ensure the blades do not get damaged or bent during the installation process while the fan maybe on the ground, this will affect the performance and balance of the fan and this is NOT covered under warranty.

How to Install / Remove the Cover

Fig.8 Model shown with light

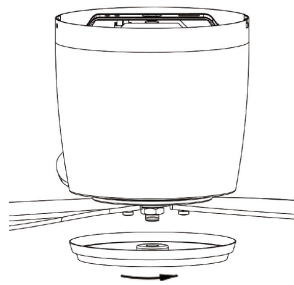


1. Install light kit to connecting plate.
2. Plug in light wire connection and ensure the protruding ends of the connectors are dropped into the narrow ends of the slots.

To install turn clockwise to tighten the cover.

To remove turn anti-clockwise.

Fig.9 Model shown fan only

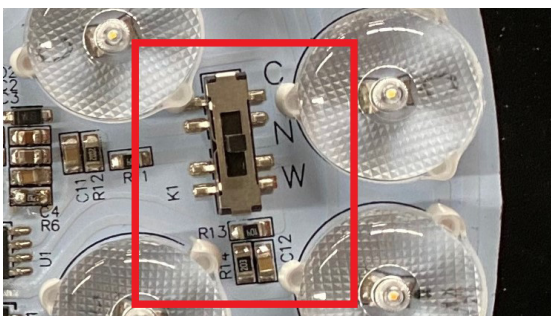


To install turn clockwise to tighten the cover.

To remove turn anti-clockwise.

CCT (Colour Changeable Temperature)

Fig.10



Choose colour temperature by flicking the switch in the LED (See Fig.10)

C = 5000K cool white

N = 4000K neutral white

W = 3000K warm white

Dimming

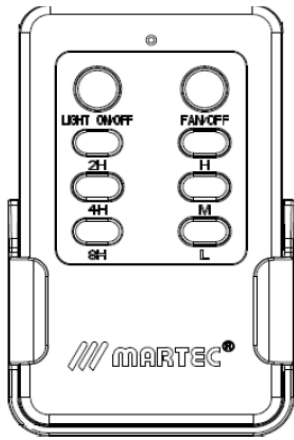
The Four Seasons Link fan has a smart 3 step dimming LED light module which doesn't require a dimmable remote control or a wall dimmer.

It only requires a normal on/off remote kit (MPREMS) or a normal light wall switch. (Supplied in remote control kit).

Turn the switch on and the light will turn on. Flick the switch on/off within 1 second and the light output will dim down to approx. 50%. Flick the switch on/off again and the light output will dim down to approximately 15%. The light kit has no memory function, It will turn on 100% initially.

WARNING Installation MUST carry out by a qualified and licensed electrician.

Instructions and Functions of Transmitter



Setting the code on transmitter

1. Remove battery cover
2. Slide code switches to your choice of ON/OFF position
3. Install battery (supplied)

Setting code on receiver:-

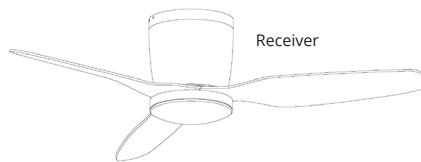
1. Slide code switches on the receiver in the same position set on the transmitter

NB: Martec Remotes - MPREMS (as illustrated on the left), MPLCDS and MAPP are sold separately.

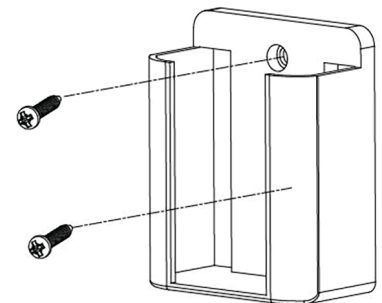
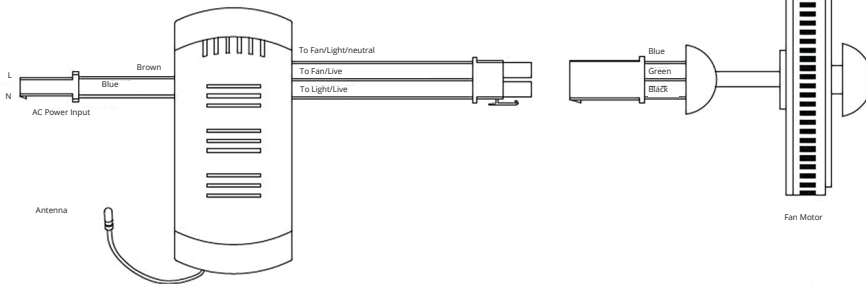


Installing Receiver Remote Control

NB: Receiver shown fan only



NB: Receiver shown fan and light



Installation of transmitter wall mount holder with two screws.

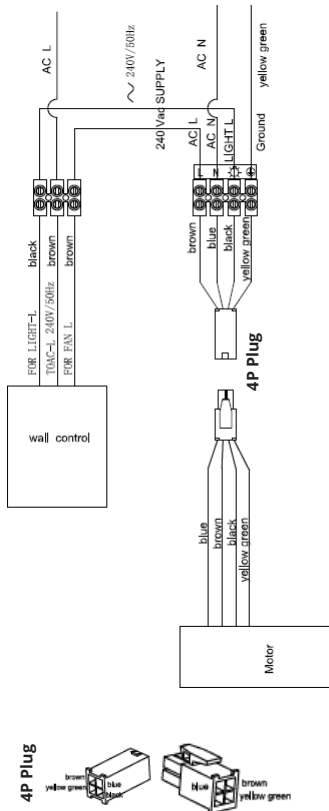
Important Reminders

- Receiver must be correctly installed in the mounting bracket
- When the transmitter cannot control the receiver, please check
 - i) has sufficient battery in the transmitter
 - ii) any existence of similar remote controlled products nearby that cause interference
- Replace battery if getting low as this will affect sensitivity of the transmitter
- Take the battery out from the transmitter when leaving used for a long time to avoid battery leaks
- Support up to 200W lighting power
- Isolation switch MUST be connected in the line
- Dimming switch on the light models is operated by tuning the light ON/OFF button within 1s. Light output will dim in stages from 24W to 9W to 3W approximately

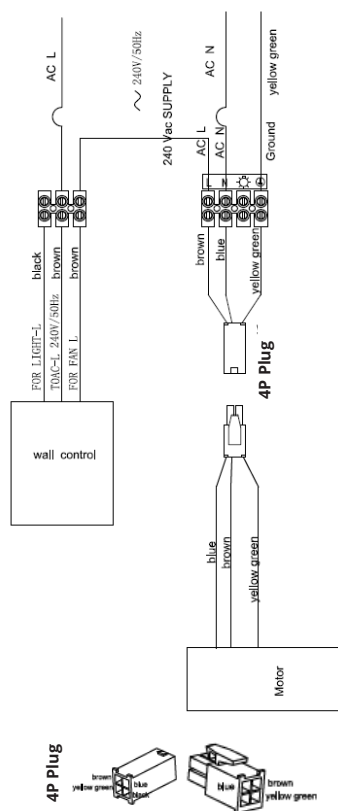
WARNING Installation MUST carry out by a qualified and licensed electrician.

Wire Connections

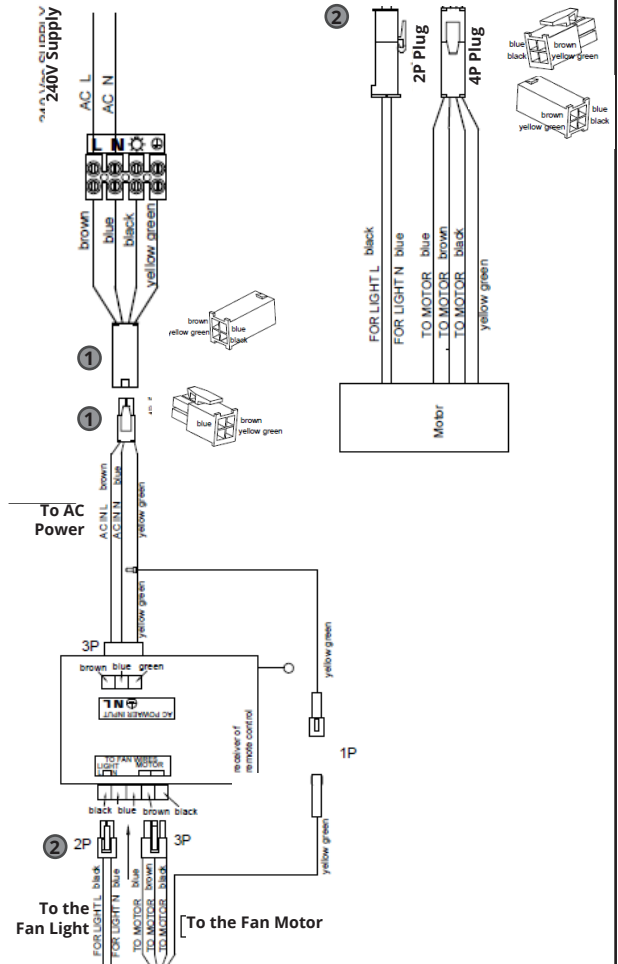
NB: Wall control with light



NB: Wall control without light



NB: Remote Control with or without light



6* Year Warranty

Visit our website for details <https://www.martecaustralia.com.au/warranty-statement/>



WARNING

- Installation of fans **MUST** follow SAA standards and meet local authority regulations.
- Installation **MUST** be carried out by a qualified and licensed electrician.
- Fan and light **MUST** be earthed.
- Bracket **MUST** be firmly attached to a flat solid structure or timber frame.
- **DO NOT** mix blades from one model to another, all blades **MUST** be replaced if damaged.
- The warranty is **VOID** if product is not installed according to this installation guide.