

## ASSEMBLY INSTRUCTION

MODEL : CF 5018 - C  
2 SEATER

A Back Rest 1 pc

B Arm 2 pcs

C Sitter 2 pcs

D Side Rail 1 pc

E Legs 4 pcs

F Slat 484mm 8 pcs

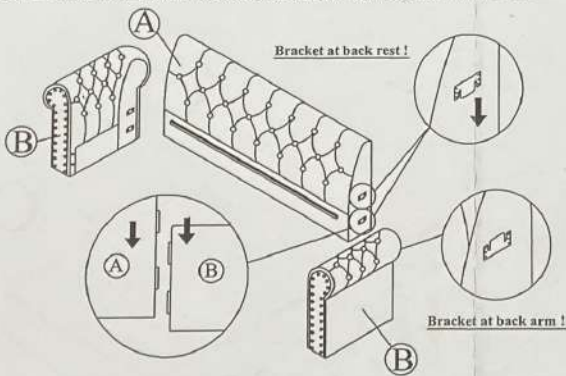
G End Holder 16 pcs

H Black Woven 1 pc

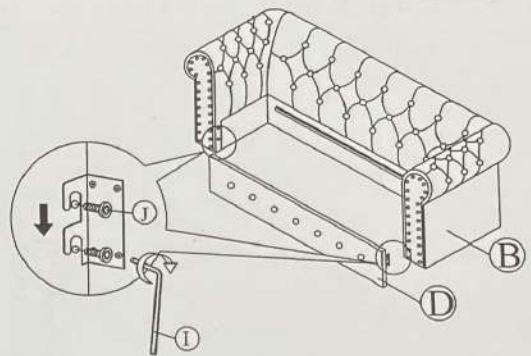
I M5 x 70 mm 1 pc

J JCBB M8 X 20 4 pcs

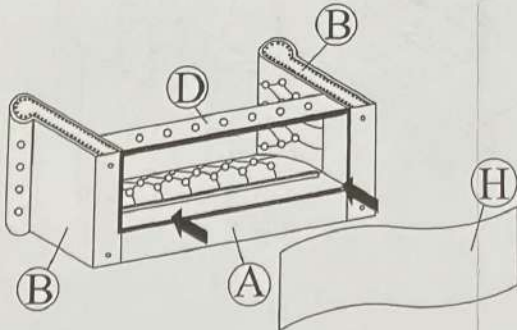
Step 1 : Attach the arm (B) to the back rest (A) by pushing the bracket down to fit it.



Step 2 : Attach the side rail (D) to the arm (B).

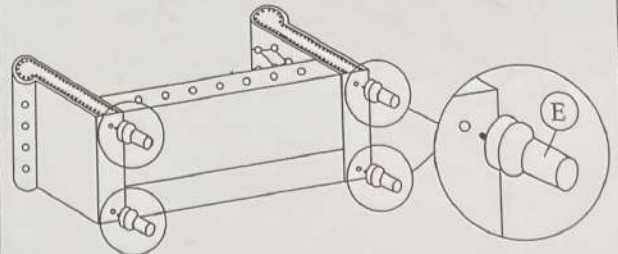


Step 3 : Attach the black woven (H) to the bottom the back rest (A), arm (B) and side rail (D).



BOTTOM VIEW

Step 4 : Install the legs (E) to the arm (B).



BOTTOM VIEW

Step 5 : Assembly of the slat holders with LVL slats as shown. Attach the sitter (C) to the arm (B), side rail (D) and back rest (A).

