














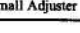
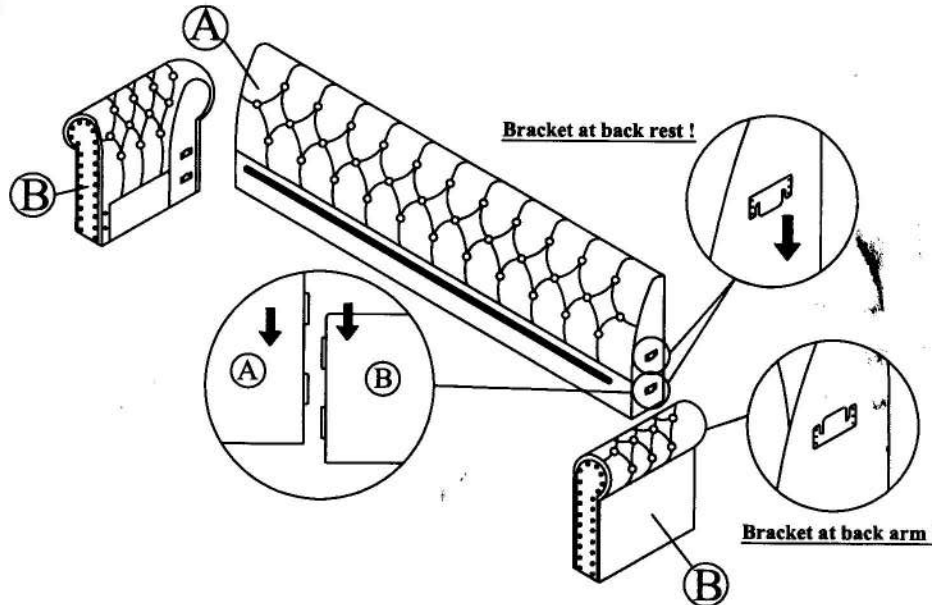


# ASSEMBLY INSTRUCTION

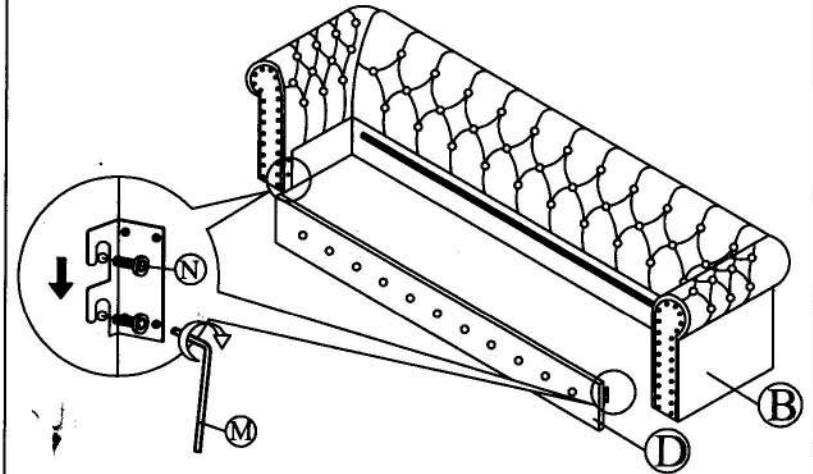
**MODEL : CF 5018 - C  
3 SEATER**

A	 Back Rest	1 pc
B	 Arm	2 pcs
C	 Sitter	2 pcs
D	 Side Rail	1 pc
E	 Legs 75 x 150(0)	4 pcs
F	 LVL Slat 484mm	12 pcs
G	 Slat 492mm	1 pc
H	 Black Woven	1 pc
J	 Support Legs 250mm	1 pc
K	 End Holder	24 pcs
L	 M4 x 65 mm	1 pc
M	 M5 x 70 mm	1 pc
N	 JCBB M8 X 20	4 pcs
O	 JCBC M6 x 40	1 pc
P	 Small Adjuster	1 pc
Q	 CSK Screw 32mm	2 pcs

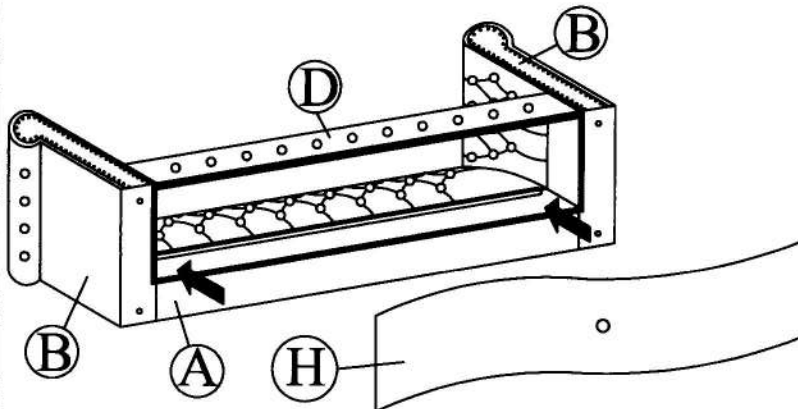
Step 1 : Attach the arm (B) to the back rest (A) by pushing the bracket down to fit it.



Step 2 : Attach the side rail (D) to the arm (B).

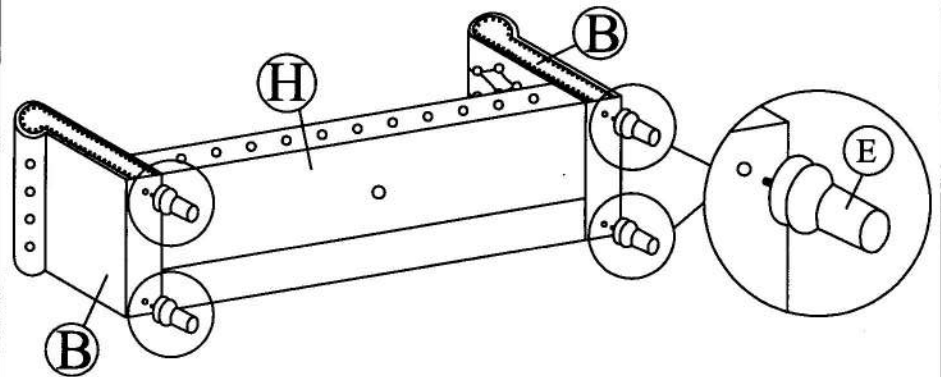


Step 3 : Attach the black woven (H) to the bottom the back rest (A), arm (B) and side rail (D).



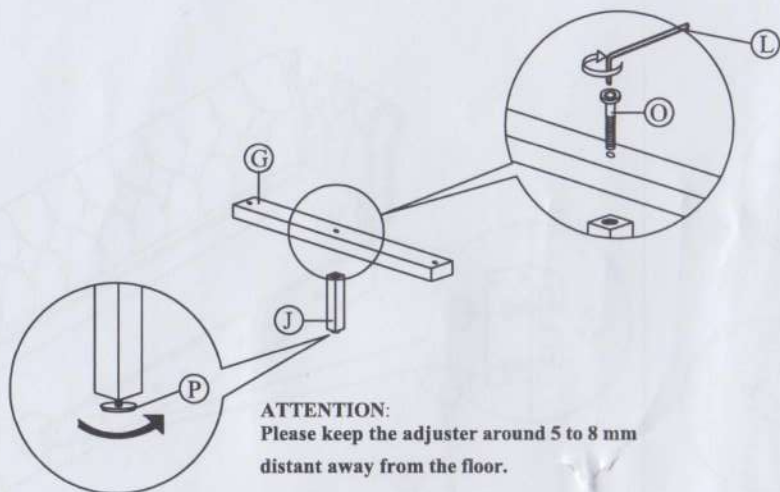
BOTTOM VIEW

Step 4 : Install the legs (E) to the arm (B).

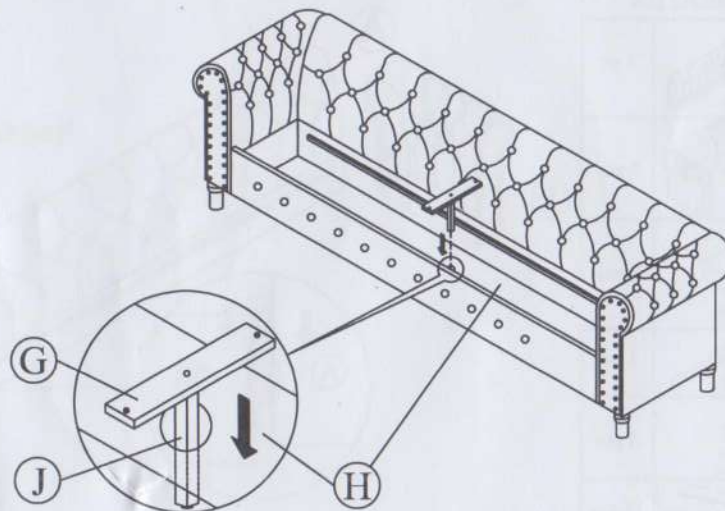


BOTTOM VIEW

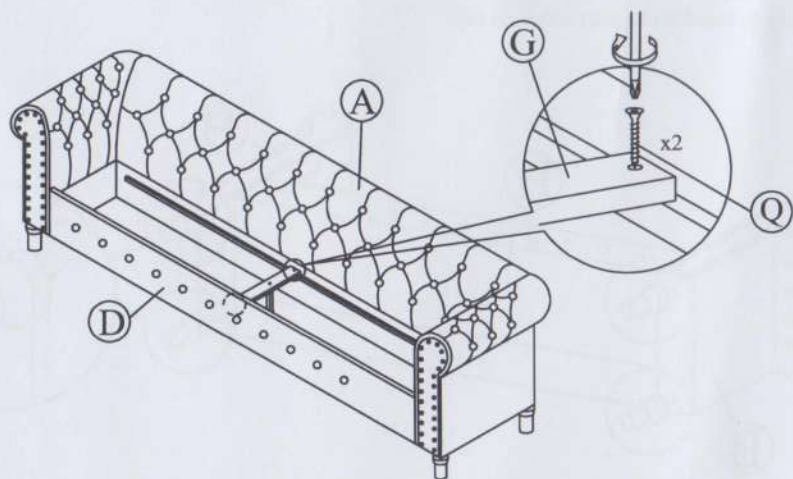
Step 5: Attach the support legs (J) to the slat (G) of the bed as shown.



Step 6: Attach the slat (G) and support legs (J) to the black woven (H).



Step 7: Attach the slat (G) to the back rest (A) and side rail (D).



Step 8 : Assembly of the slat holders with LVL slats as shown. Attach the sitter (C) to the arm (B), side rail (D) and back rest (A).

