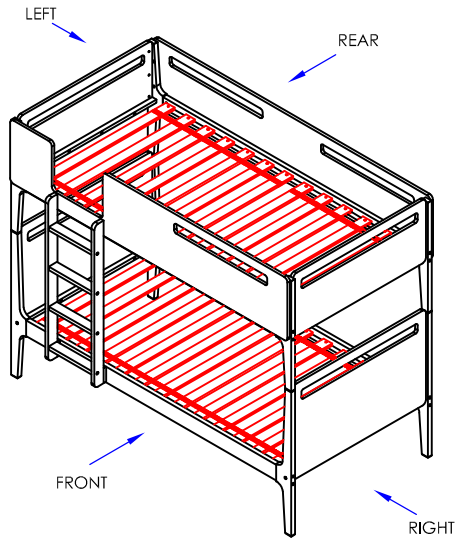


ASSEMBLY INSTRUCTIONS



ASSEMBLY TIPS




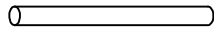

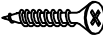








1. Remove hardware from box and sort by size.
2. Please check to see that all hardware and parts are present prior start of assembly.
3. Please follow attached instructions in the same sequence as numbered to assure fast and easy assembly.




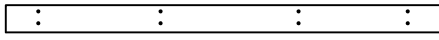

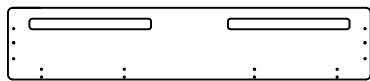



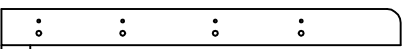
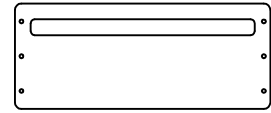
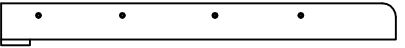
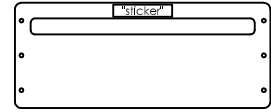
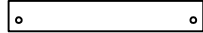
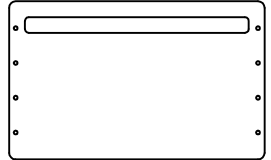

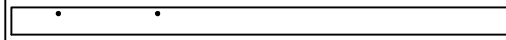
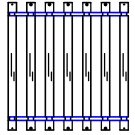
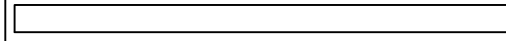
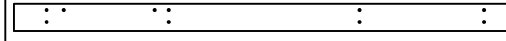
WARNING!

1. Don't attempt to repair or modify part that are broken or defective. Please contact the store immediately.
2. This product is for home use only and not intended for commercial establishments.

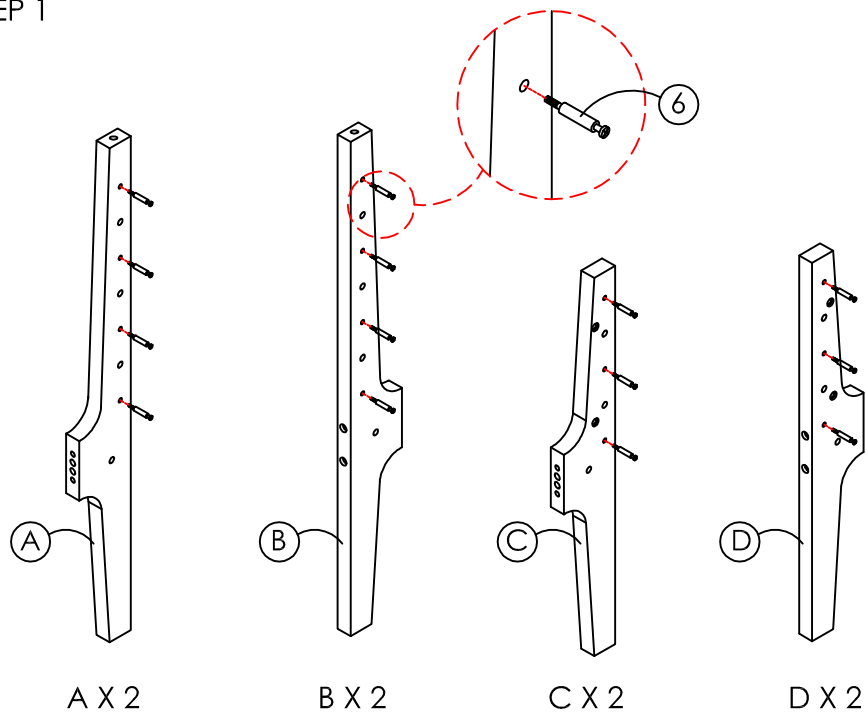
HARDWARE LIST

| | | | | | |
|---|---|--------|----|---|--------|
| 1 |  | 16 PCS | 9 |  | 32 PCS |
| 2 |  | 20 PCS | 10 |  | 4 PCS |
| 3 |  | 24 PCS | 11 |  | 52 PCS |
| 4 |  | 16 PCS | 12 |  | 1 PC |
| 5 |  | 28 PCS | 13 |  | 16 PCS |
| 6 |  | 28 PCS | 14 |  | 28 PCS |
| 7 |  | 24 PCS | | | |
| 8 |  | 26 PCS | | | |

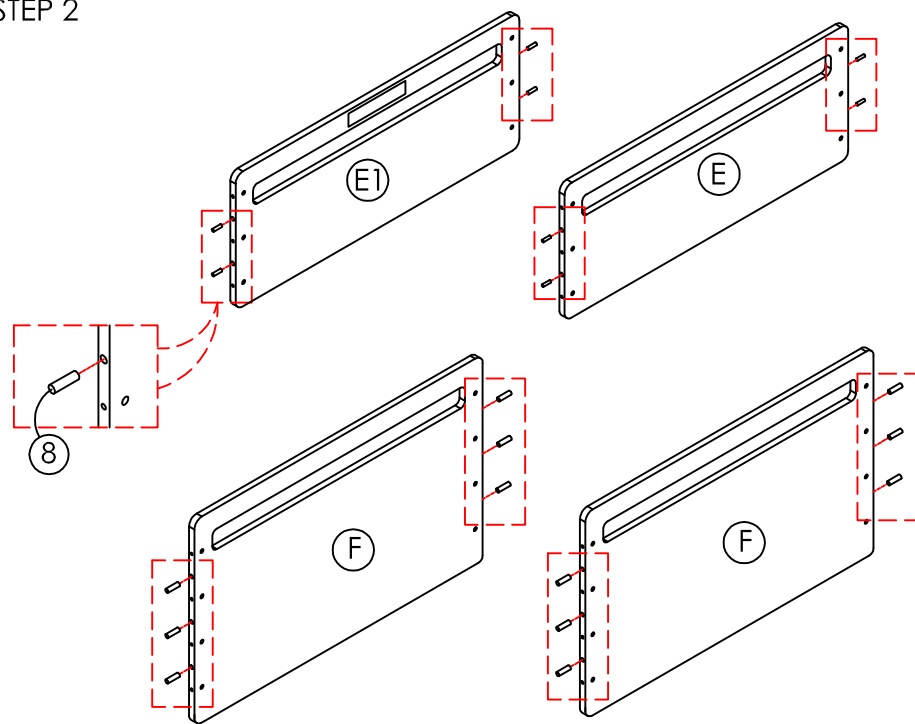
COMPONENT LIST

| | | | | | |
|----|---|-------|---|---|--------|
| A |  | 2 PCS | J |  | 1 PC |
| B |  | 2 PCS | K |  | 1 PC |
| C |  | 2 PCS | L |  | 1 PC |
| D |  | 2 PCS | M |  | 1 PC |
| E |  | 1 PC | N |  | 1 PC |
| E1 |  | 1 PC | O |  | 4 PCS |
| F |  | 2 PCS | P |  | 4 PCS |
| G |  | 1 PC | Q |  | 4 SETS |
| H |  | 1 PC | | | |
| I |  | 1 PC | | | |

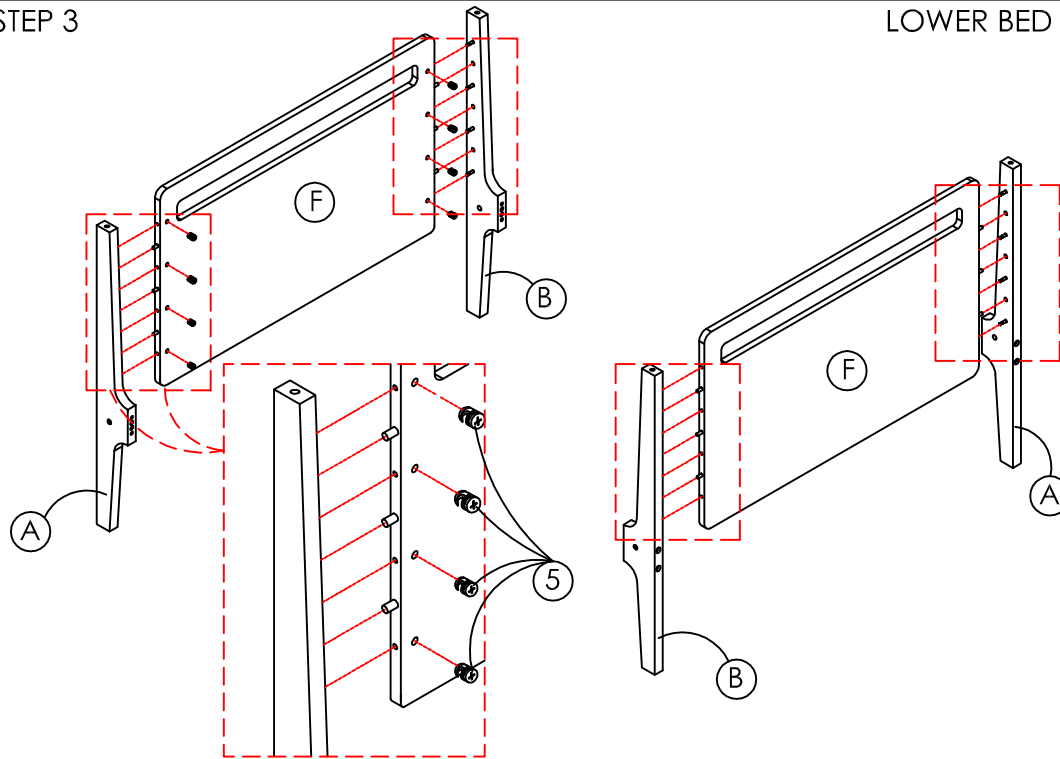
STEP 1



STEP 2

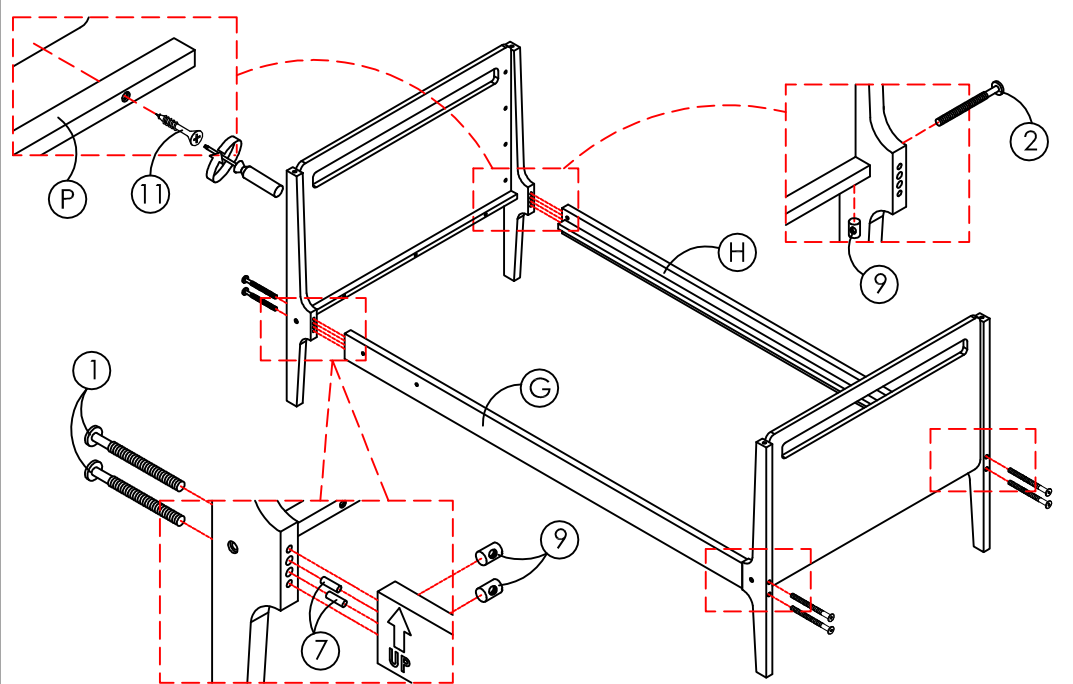


STEP 3



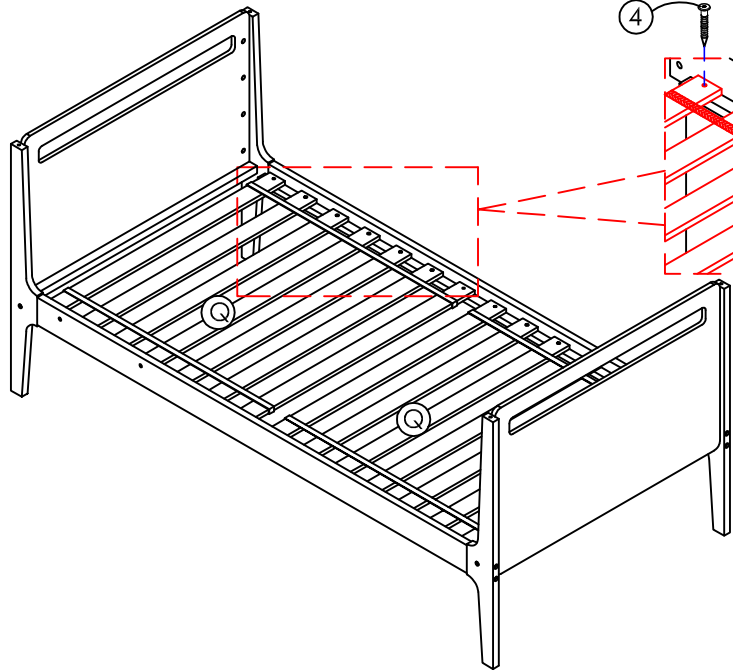
LOWER BED

STEP 4



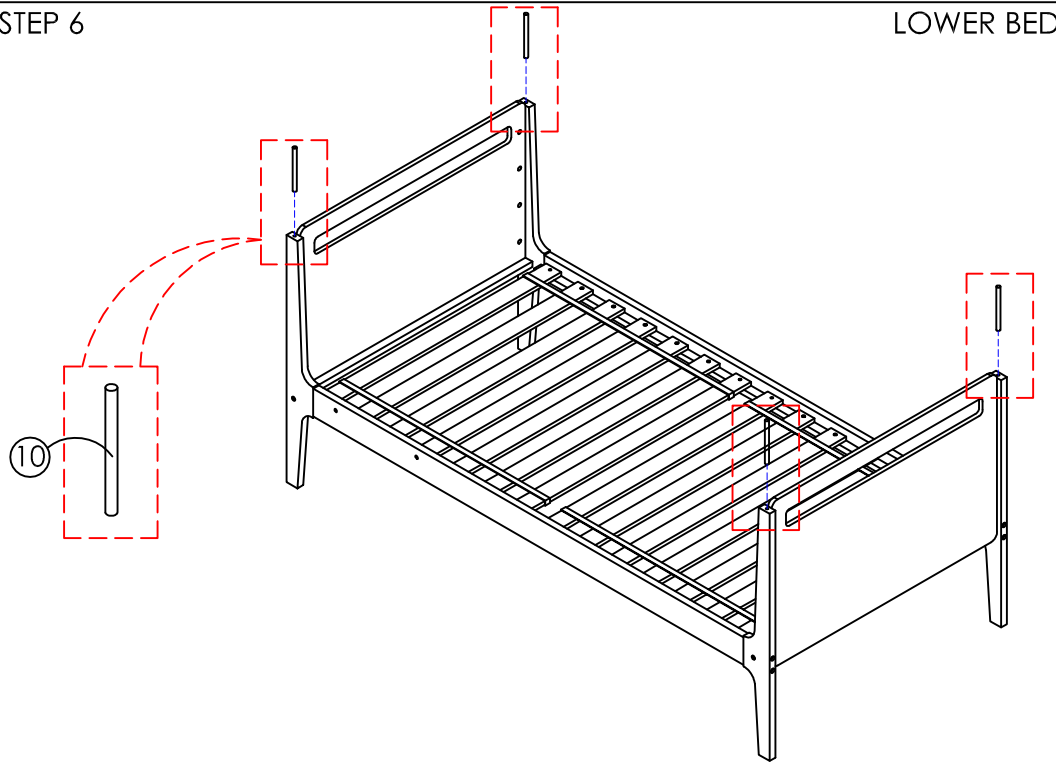
LOWER BED

STEP 5



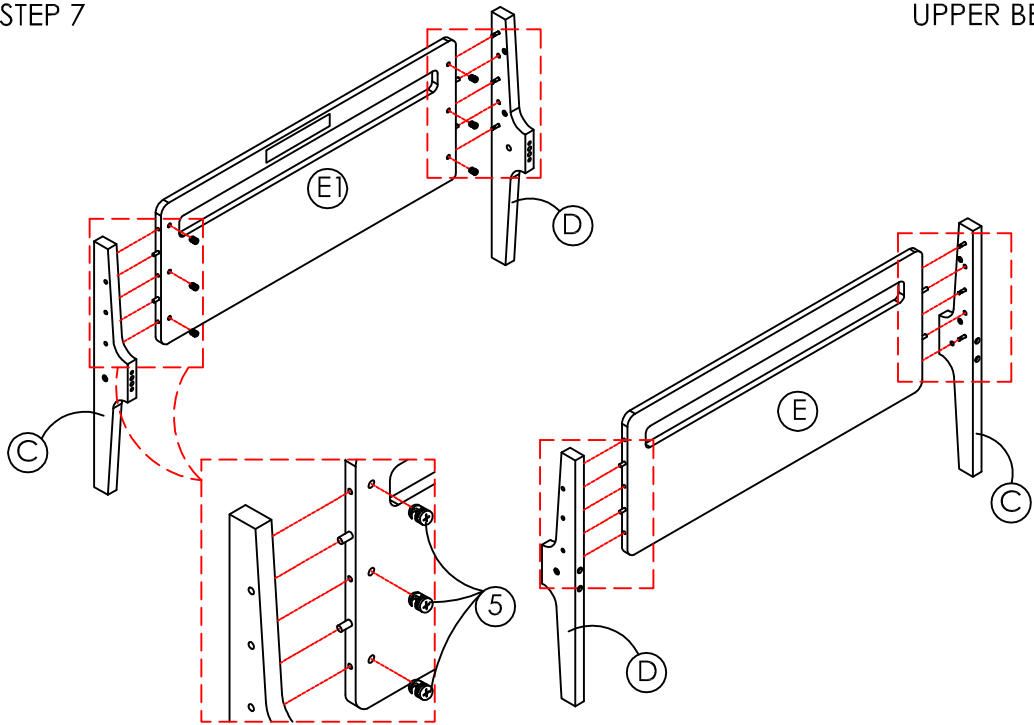
LOWER BED

STEP 6



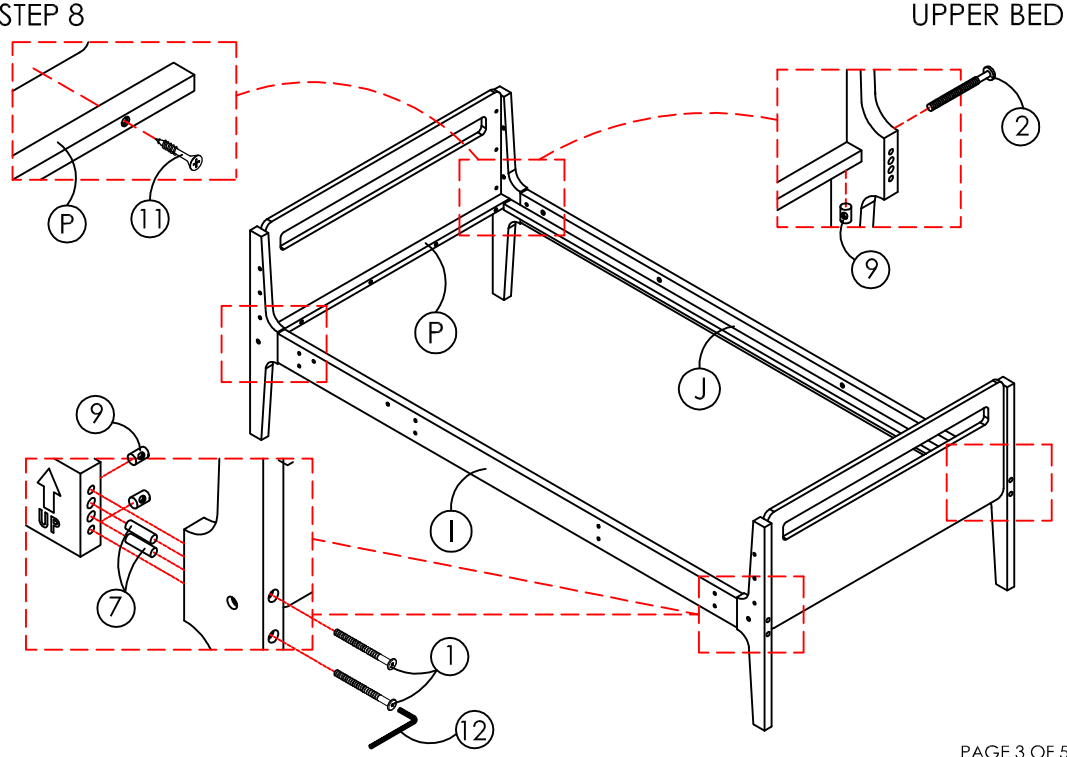
LOWER BED

STEP 7



UPPER BED

STEP 8



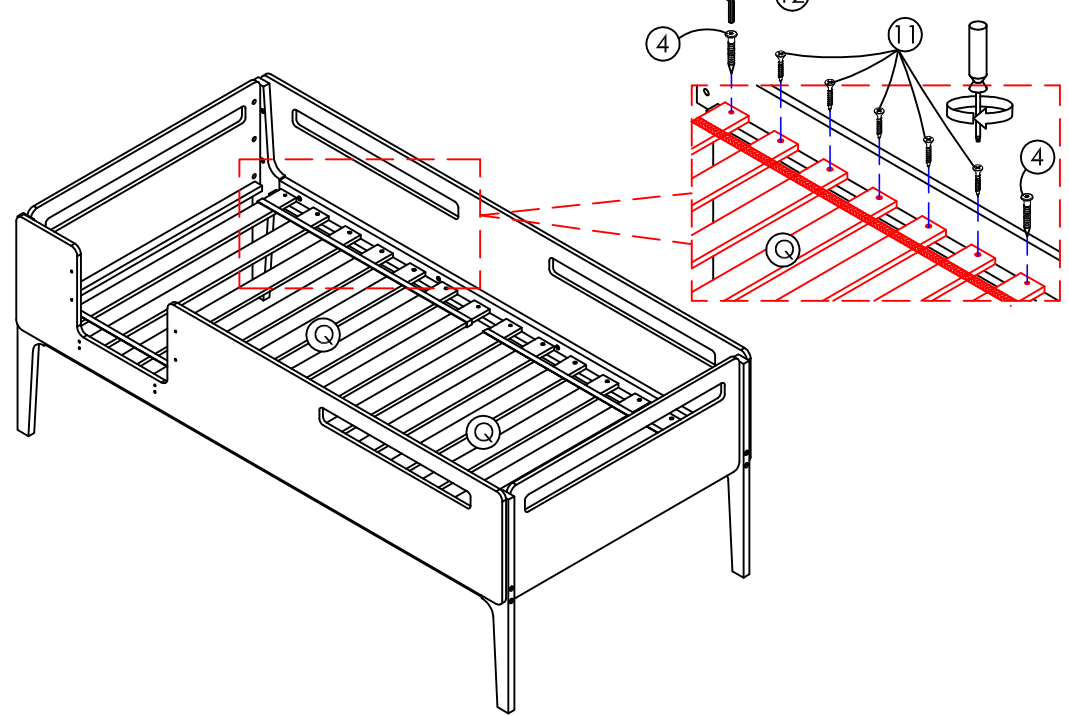
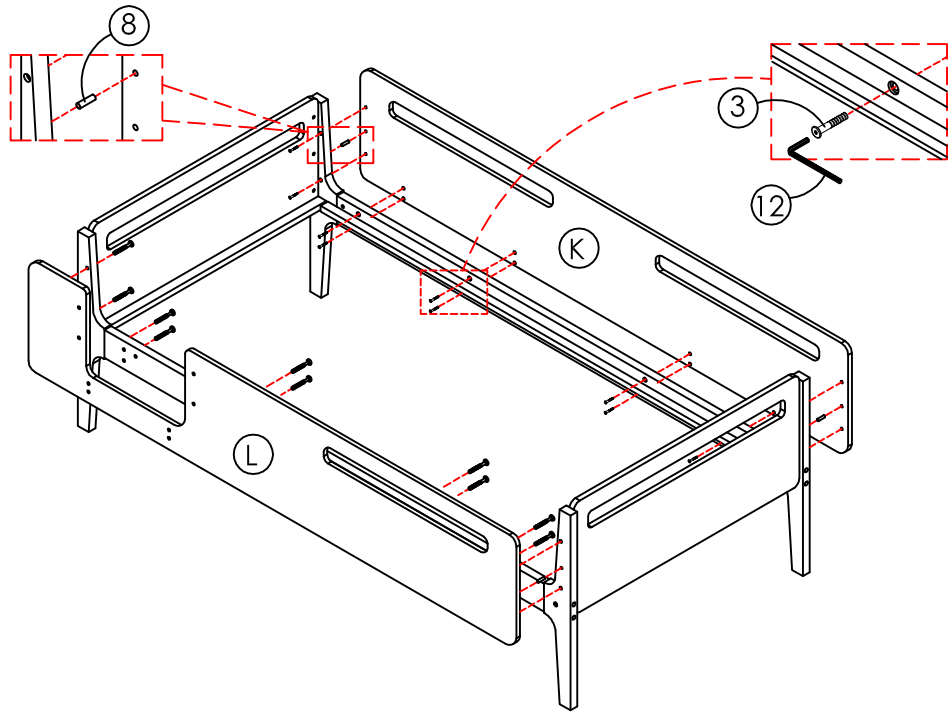
UPPER BED

STEP 9

UPPER BED

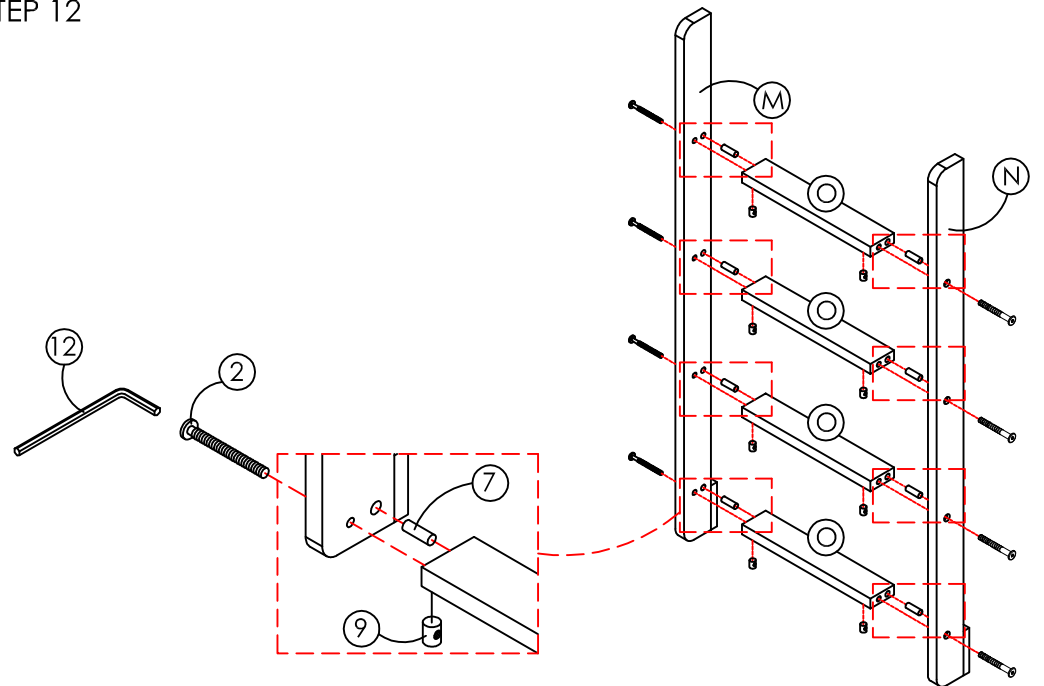
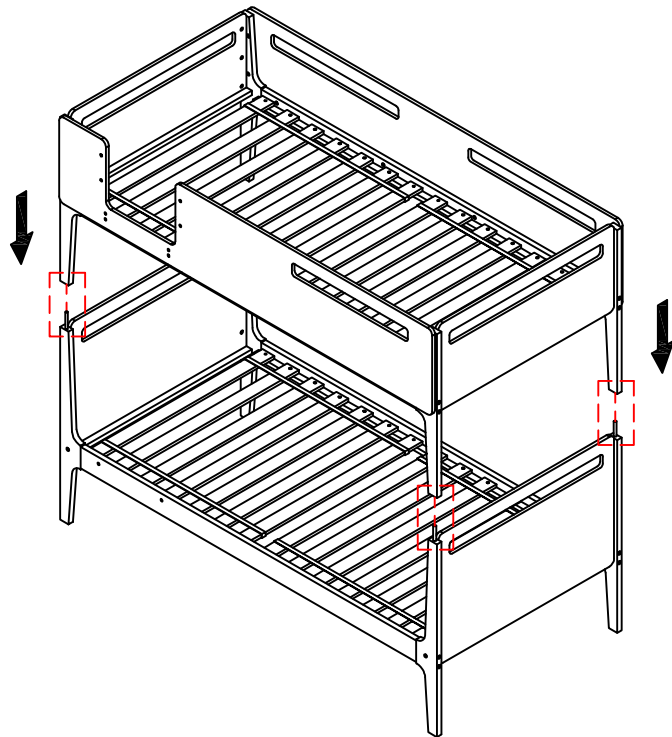
STEP 10

UPPER BED

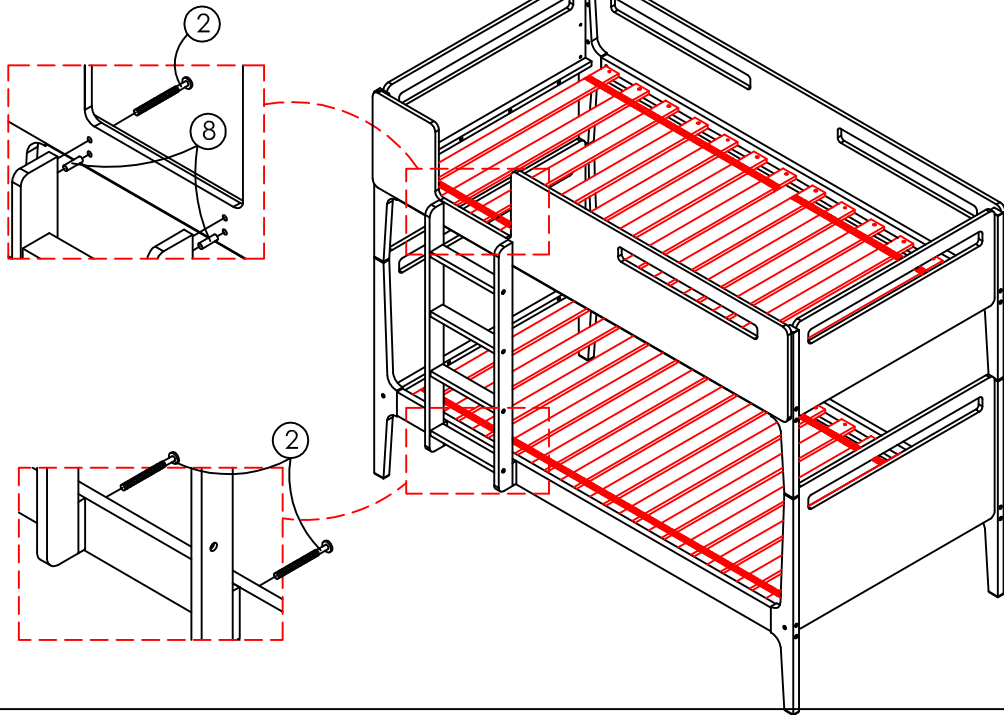


STEP 11

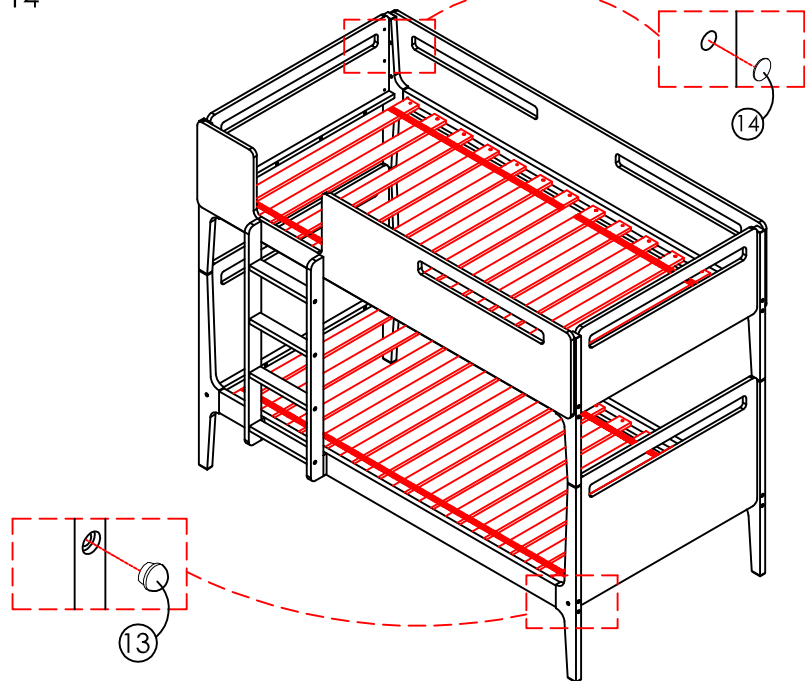
STEP 12



STEP 13



STEP 14



COMPLETE ASSEMBLY

