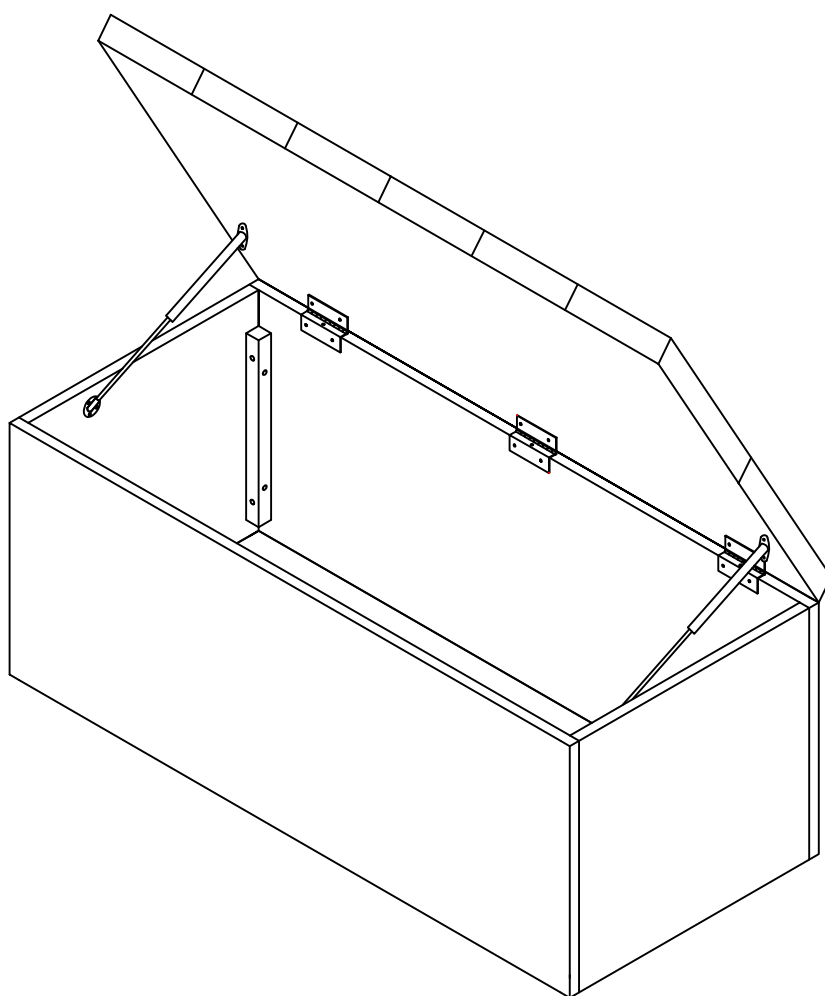
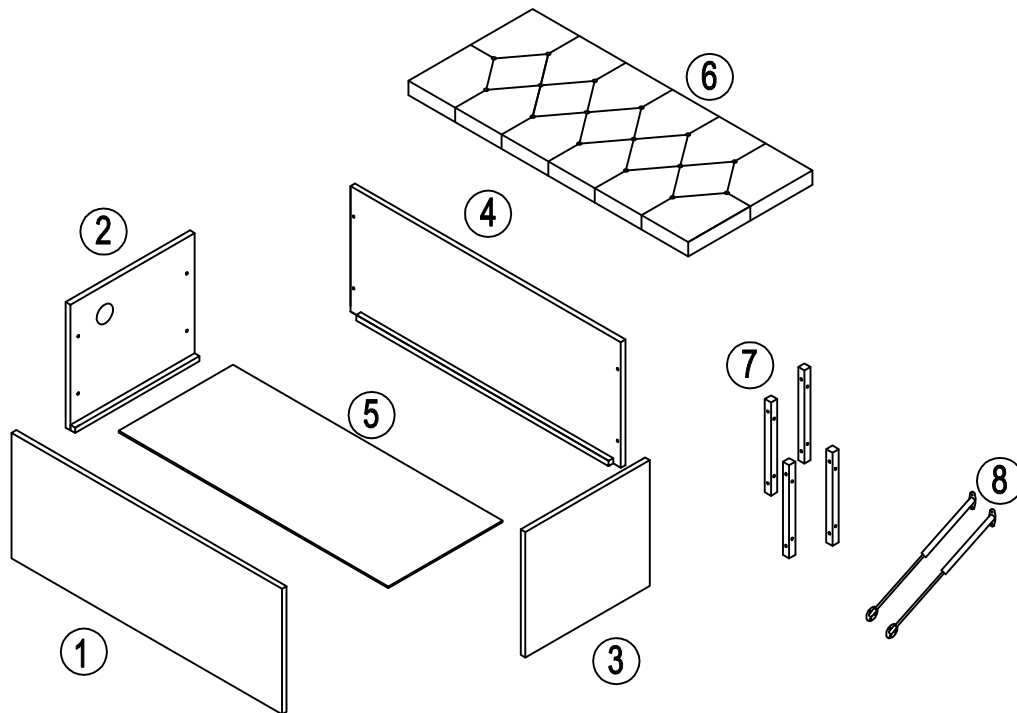


CHESTER OTTOMAN STORAGE BOX ASSEMBLY INSTRUCTIONS



CHESTER OTTOMAN STORAGE BOX IS FOR DOMESTIC USE
AND STRICTLY NOT FOR CONTRACT USE.

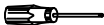

Parts list




Hardware list

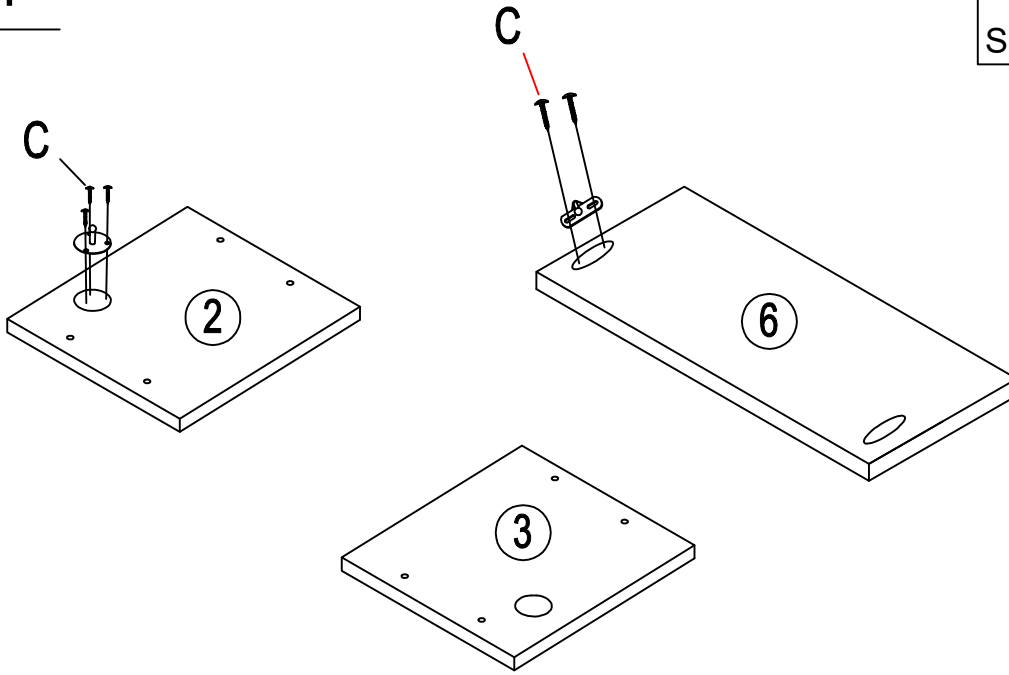
Label	Picture	Description	Qty
A		Connection	3
B		Bolt M6x35	16
C		Screw 3.5x18	35

Tool list


Label	Picture	Description	Qty
T-1		Screw Driver(not provided)	1
T-2		Allen key M4	1

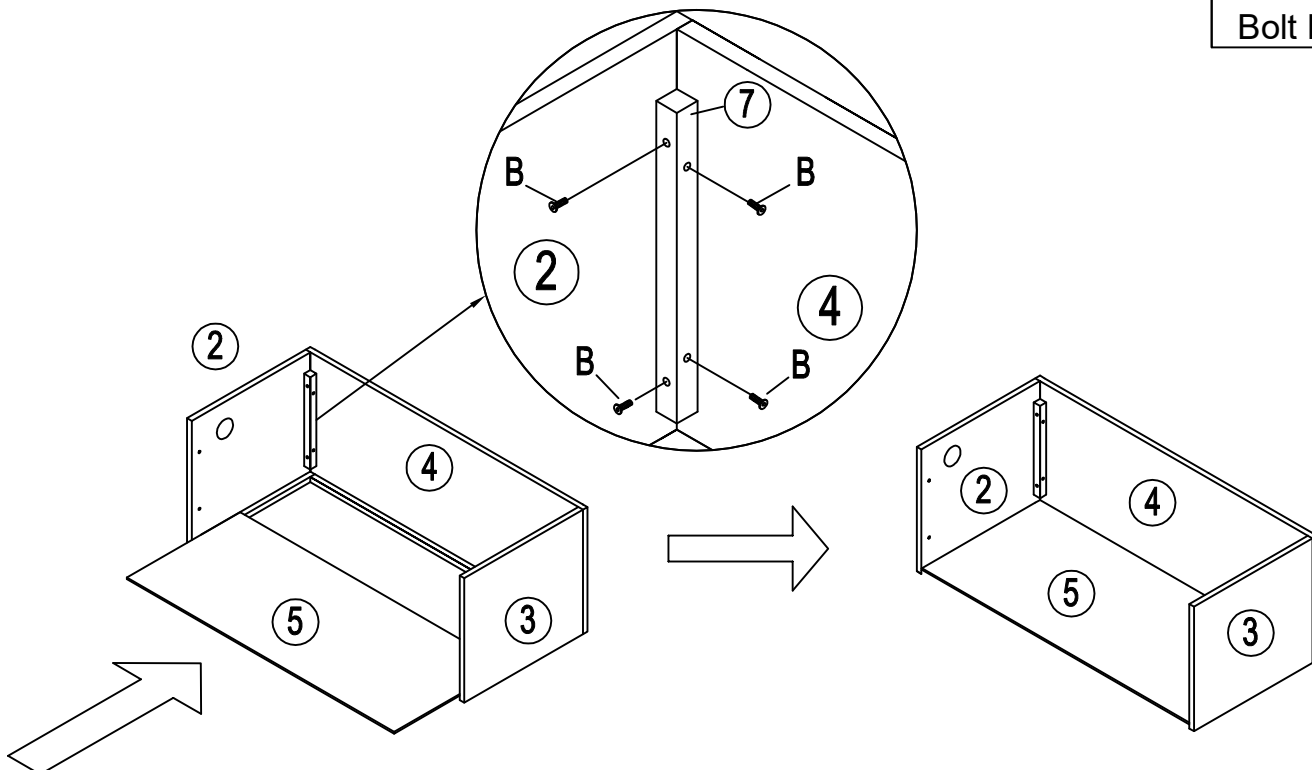
Step 1

C  10pcs
Screw 3.5x18



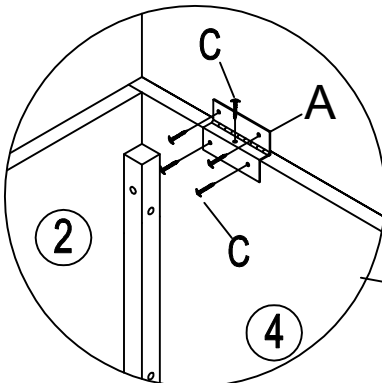
Step 2

B  8pcs
Bolt M6x35

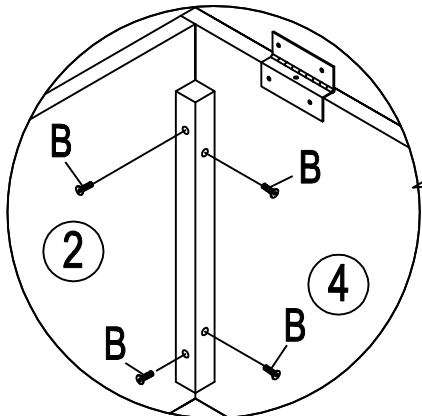


Step 3

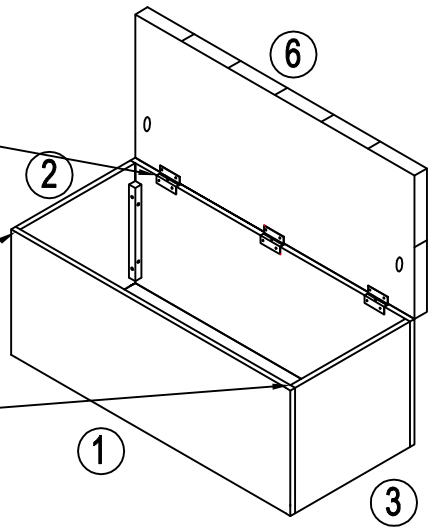
- | | |
|--------------|------------|
| C ← 15pcs | B ⌀ 8pcs |
| Screw 3.5x18 | Bolt M6x35 |



Step 3a



Step 3b



Step 4

- | |
|--------------|
| C ← 10pcs |
| Screw 3.5x18 |

