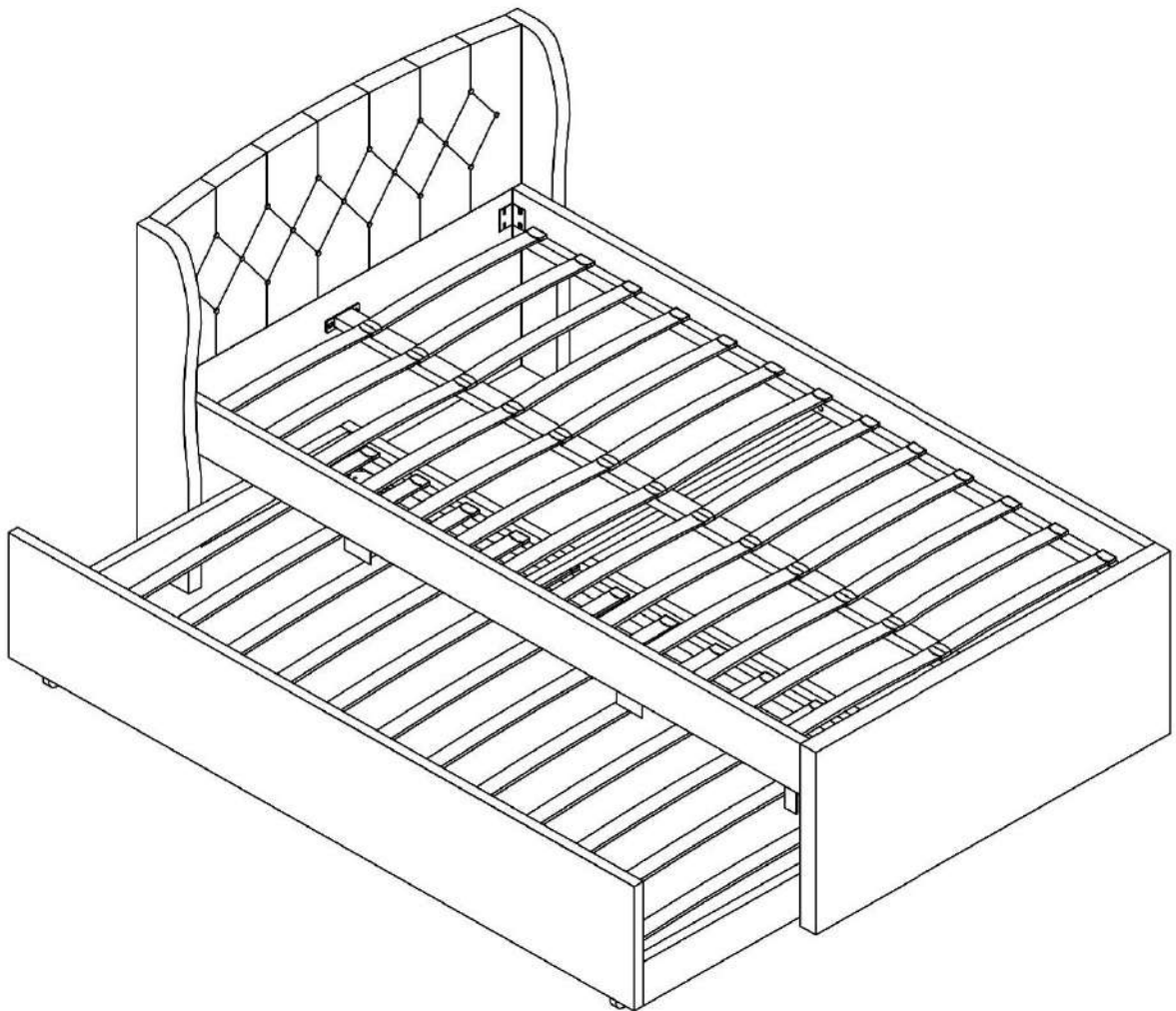
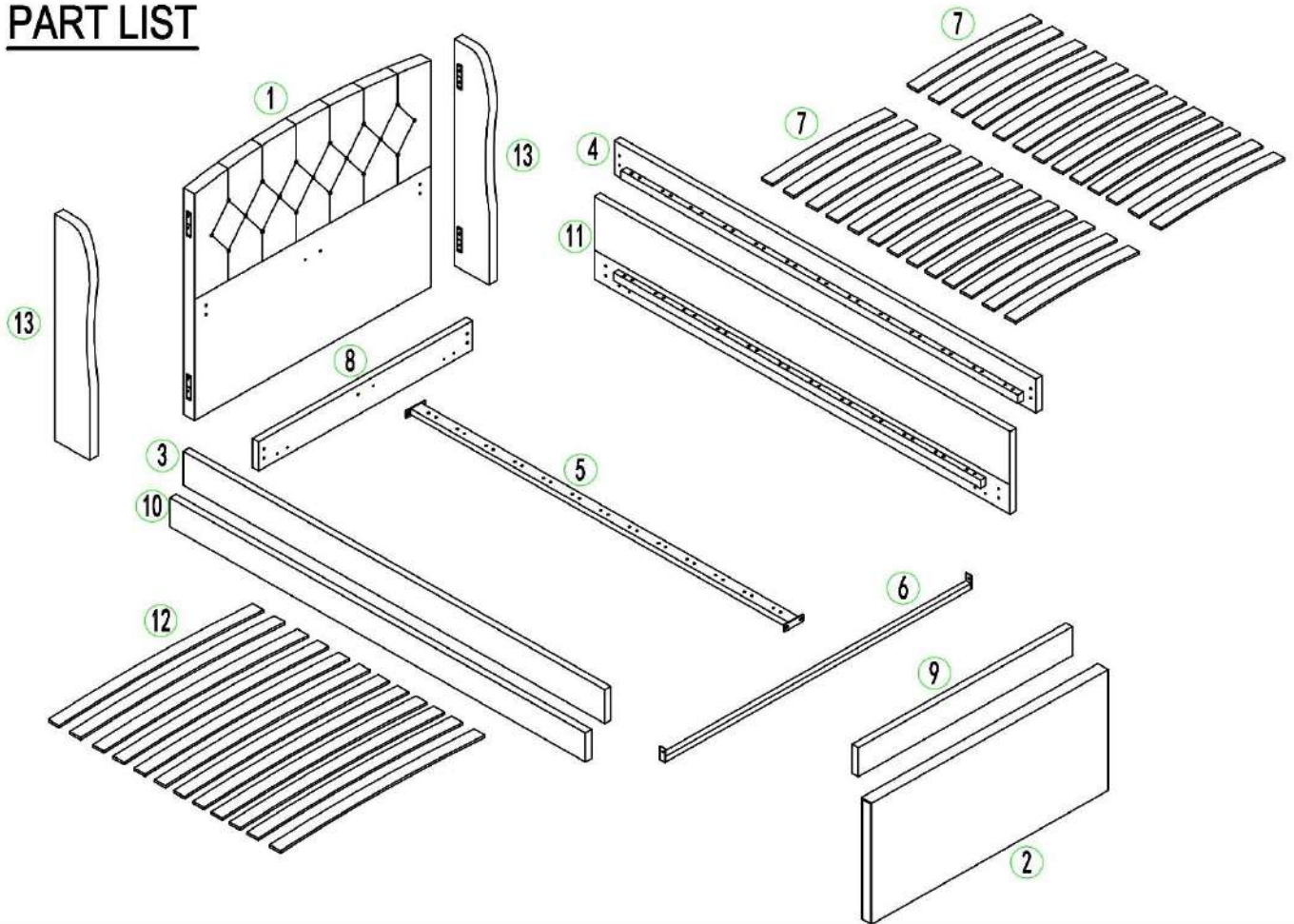


# ASSEMBLY INSTRUCTIONS



**BED IS FOR DOMESTIC USE  
AND STRICTLY NOT FOR CONTRACT USE.**

## PART LIST



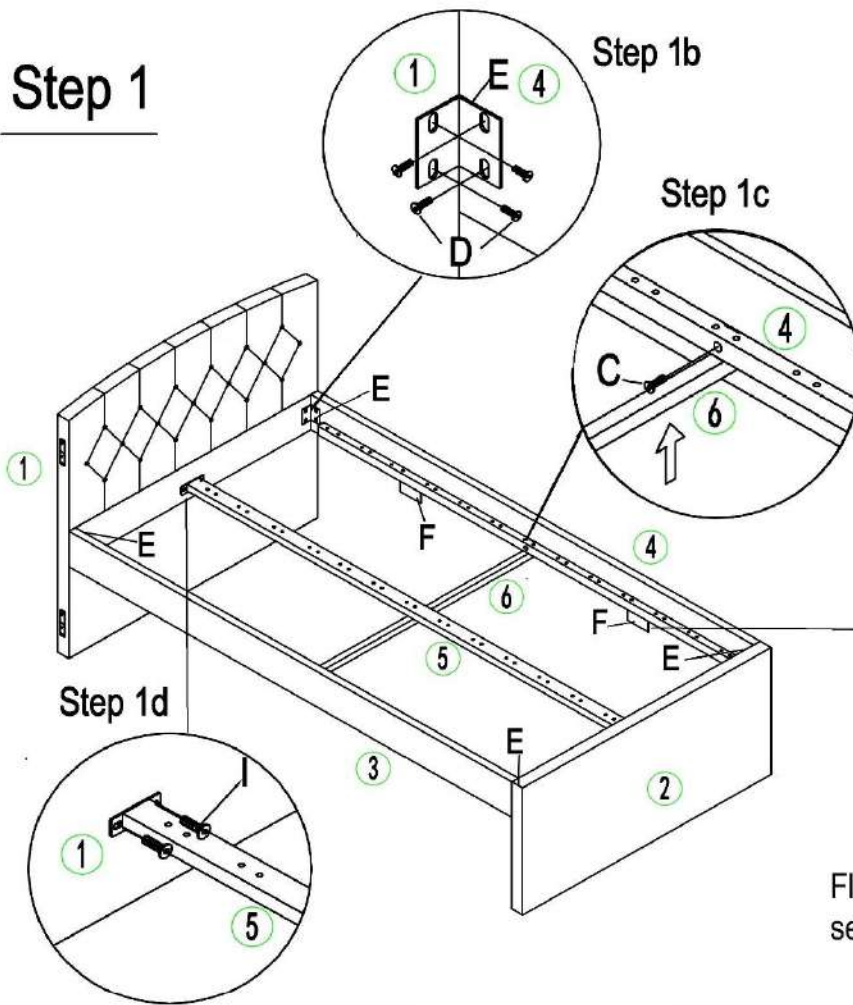
## HARDWARE LIST

Label	Picture	Description	Qty	Label	Picture	Description	Qty
A		Single Plastic Cap	50	H		Straight wheel	4
B		Double Plastic Cap	13	I		Bolt M6x20	20
C		Bolt M6x40	2	J		Bolt M6x15	16
D		Bolt M8x20	32	K		Screw 4x25	6
E		Connection	8	L		Connection Plate Left	2
F		Stopper	2	R		Connection Plate Right	2
G		Nut M6	16				

## TOOL list

Label	Picture	Description	Qty
T-1		Allen key M5	1
T-2		Allen key M4	1
T-3		Spanner	1

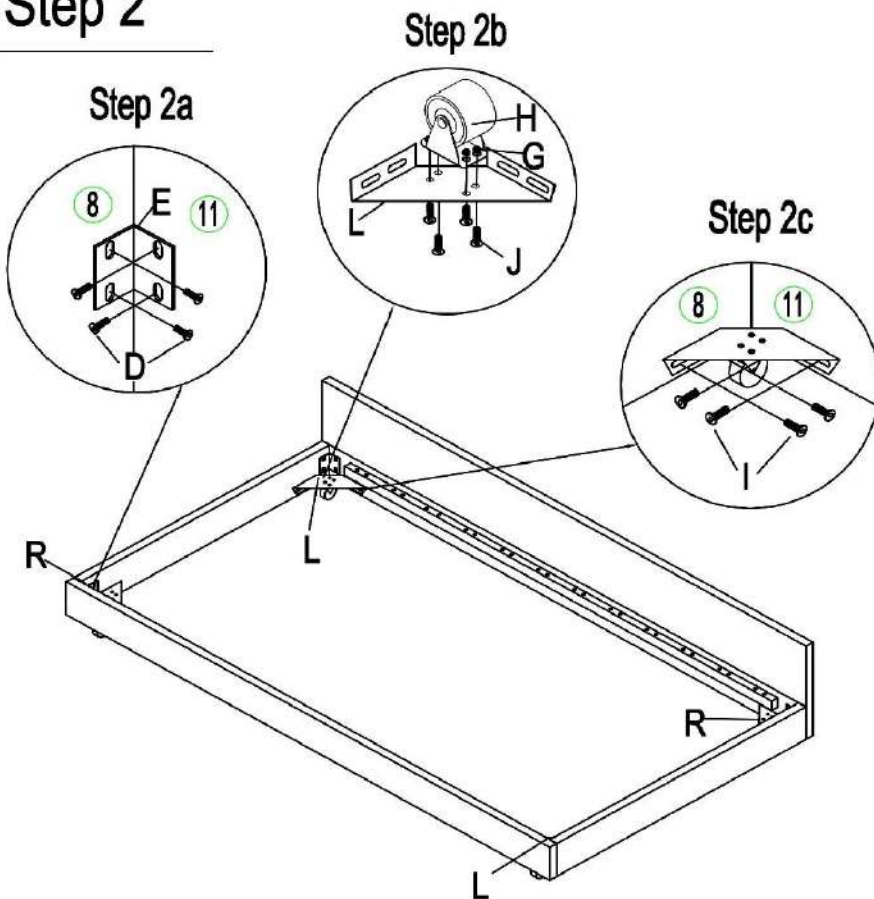
# Step 1



<b>C</b> 2pcs Bolt M6x40	<b>D</b> 16pcs Bolt M8x20
<b>E</b> 4pcs Connection	<b>I</b> 4pcs Bolt M6x20
<b>F</b> 2pcs Stopper	<b>K</b> 6pcs Screw 4x25

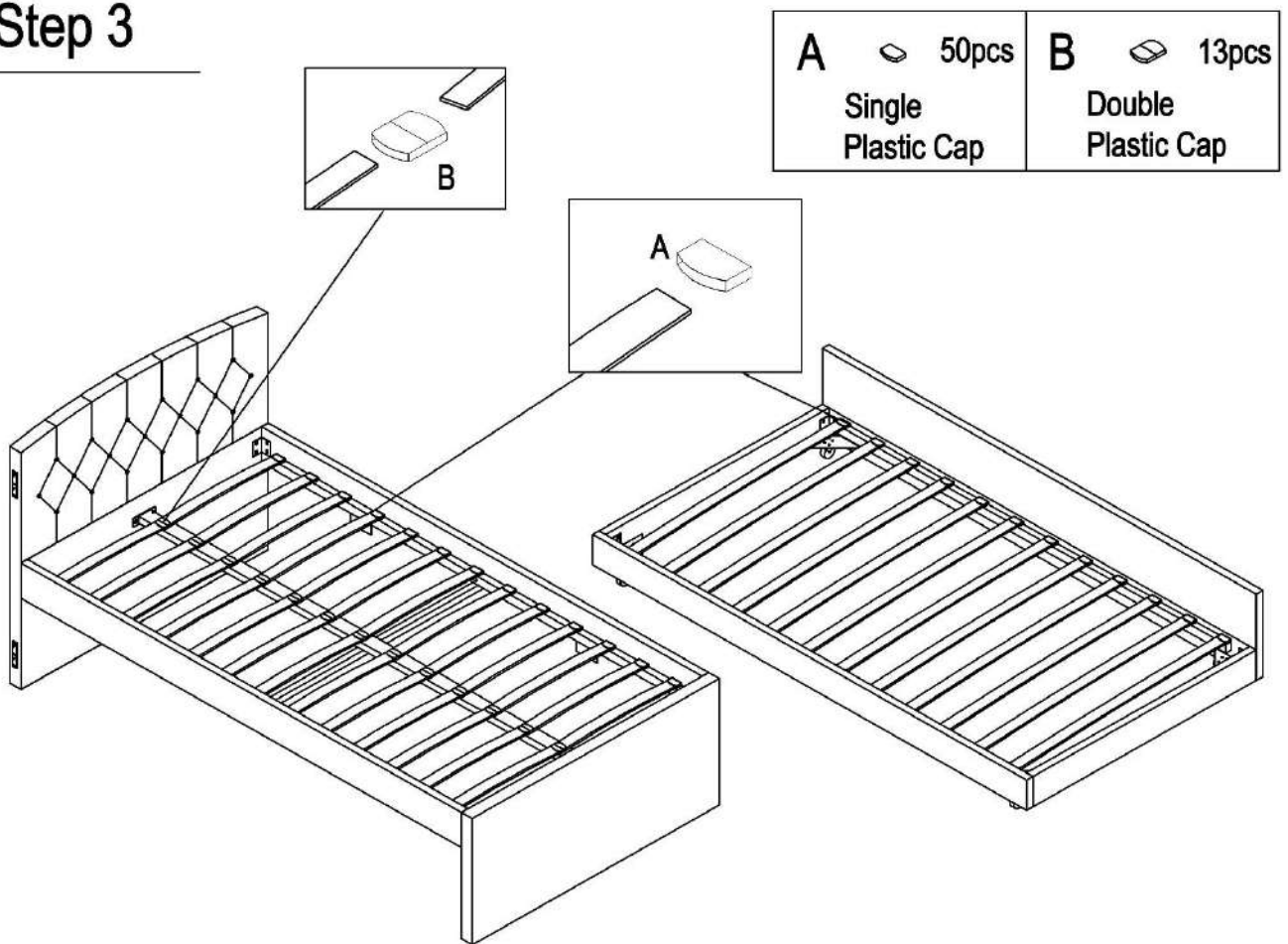
**Installation of Stopper ( F )**  
 Flip over Siderail ( 3 ) & ( 4 ) and secure with Screw ( K ) as shown.

# Step 2

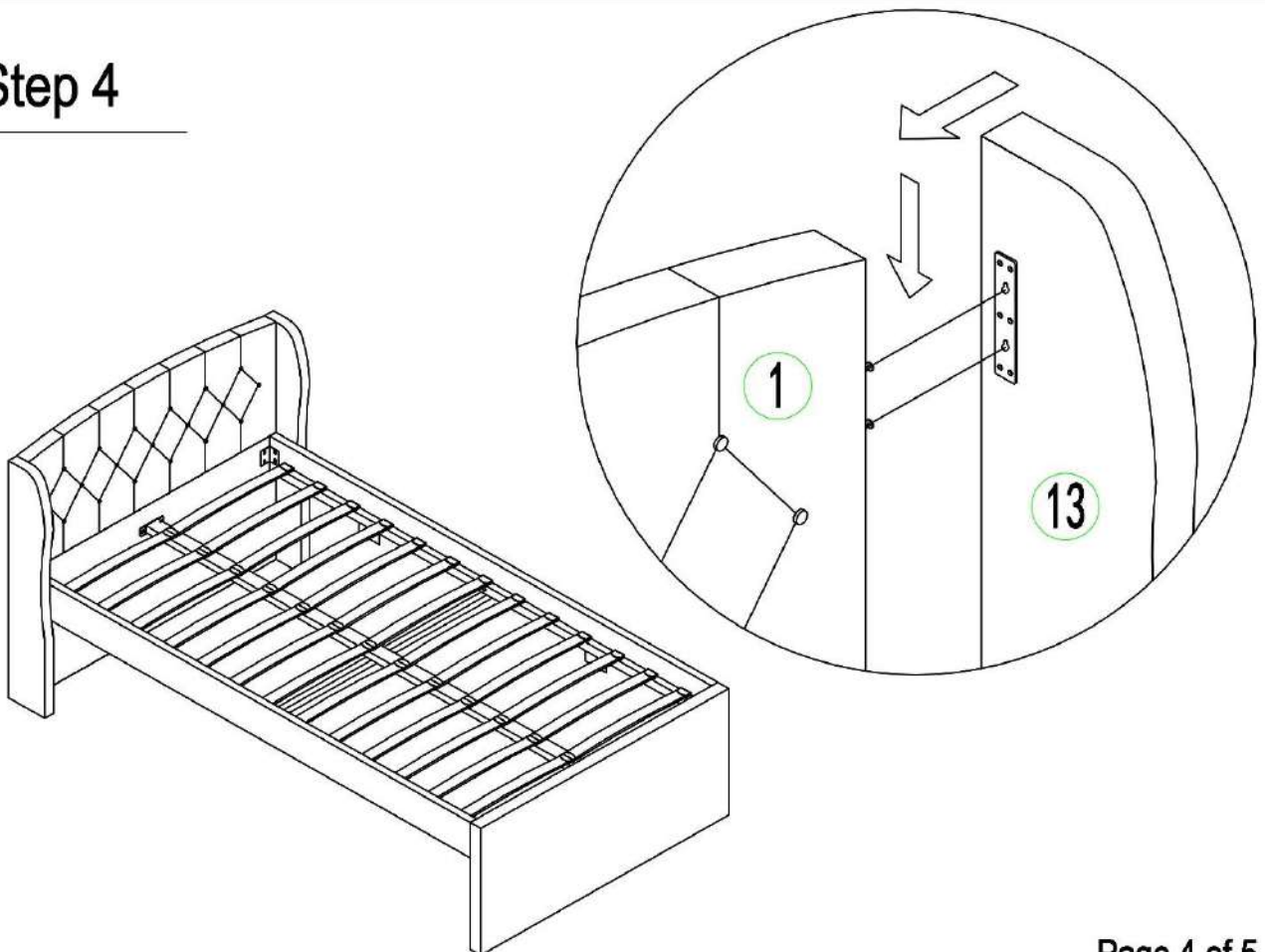


<b>D</b> 16pcs Bolt M8x20	<b>I</b> 16pcs Bolt M6x20
<b>E</b> 4pcs Connection	<b>R</b> 2pcs Connection Plate Right
<b>L</b> 2pcs Connection Plate Left	<b>G</b> 16pcs Nut M6
<b>J</b> 16pcs Bolt M6x15	<b>H</b> 4pcs Straight wheel

### Step 3



### Step 4



## Step 5

