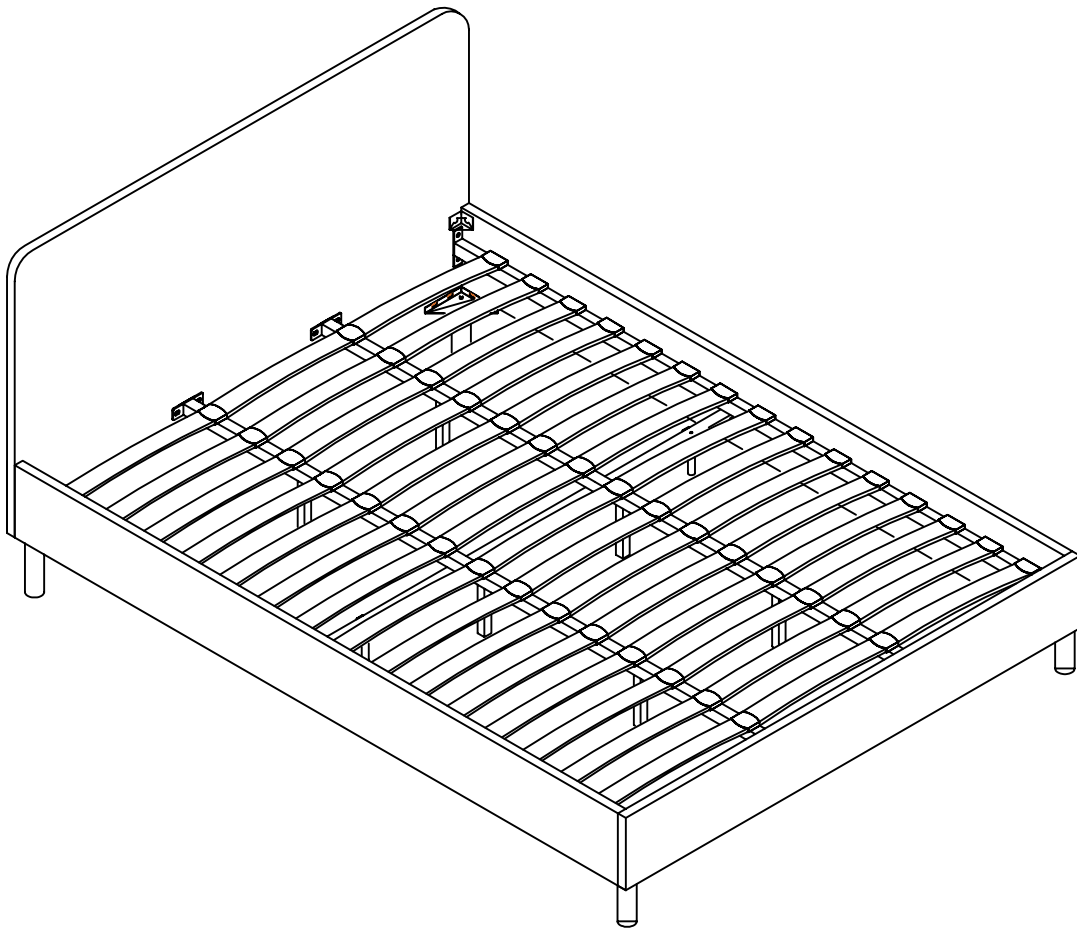
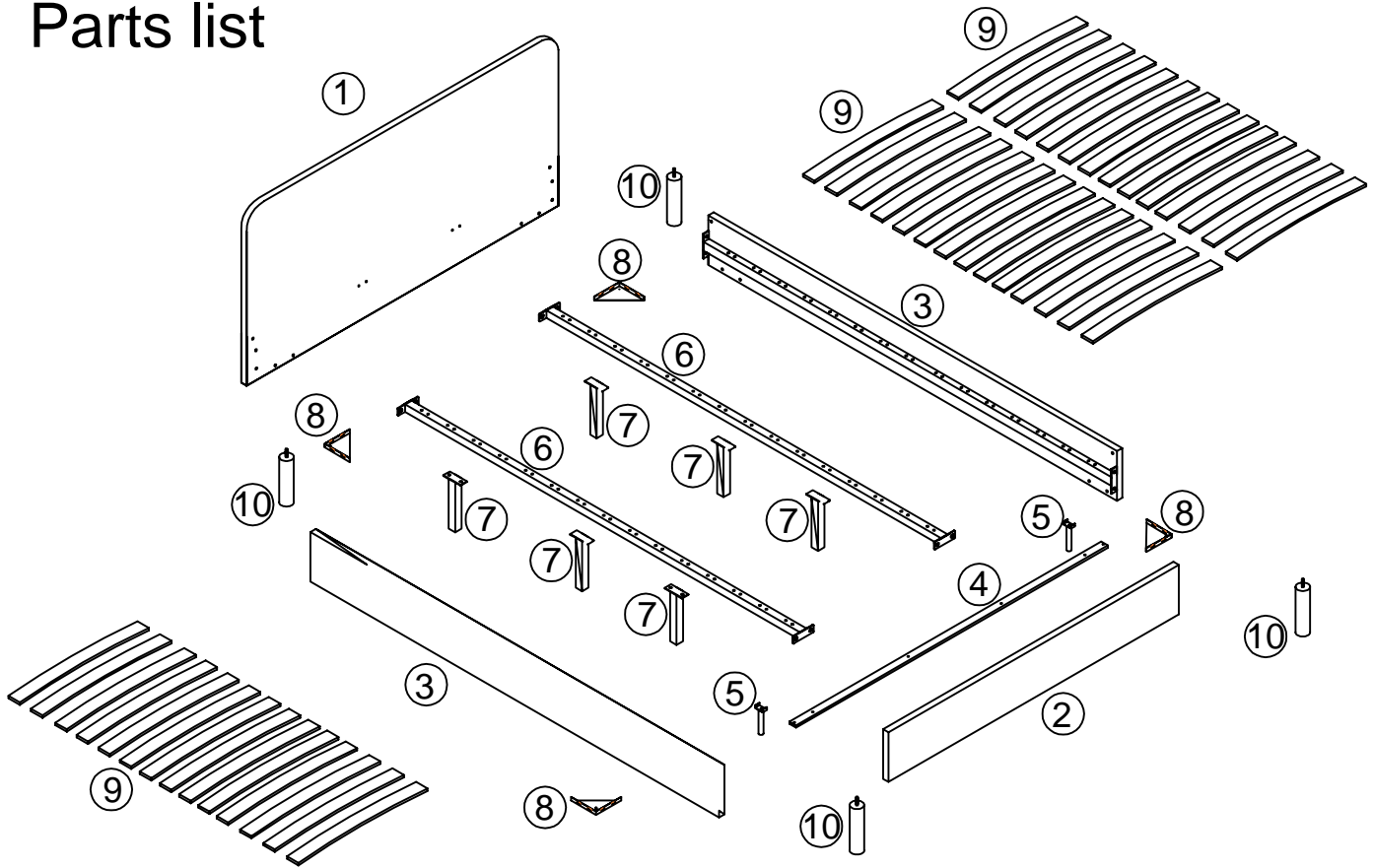


# ASSEMBLY INSTRUCTIONS



# Parts list



# Hardware list

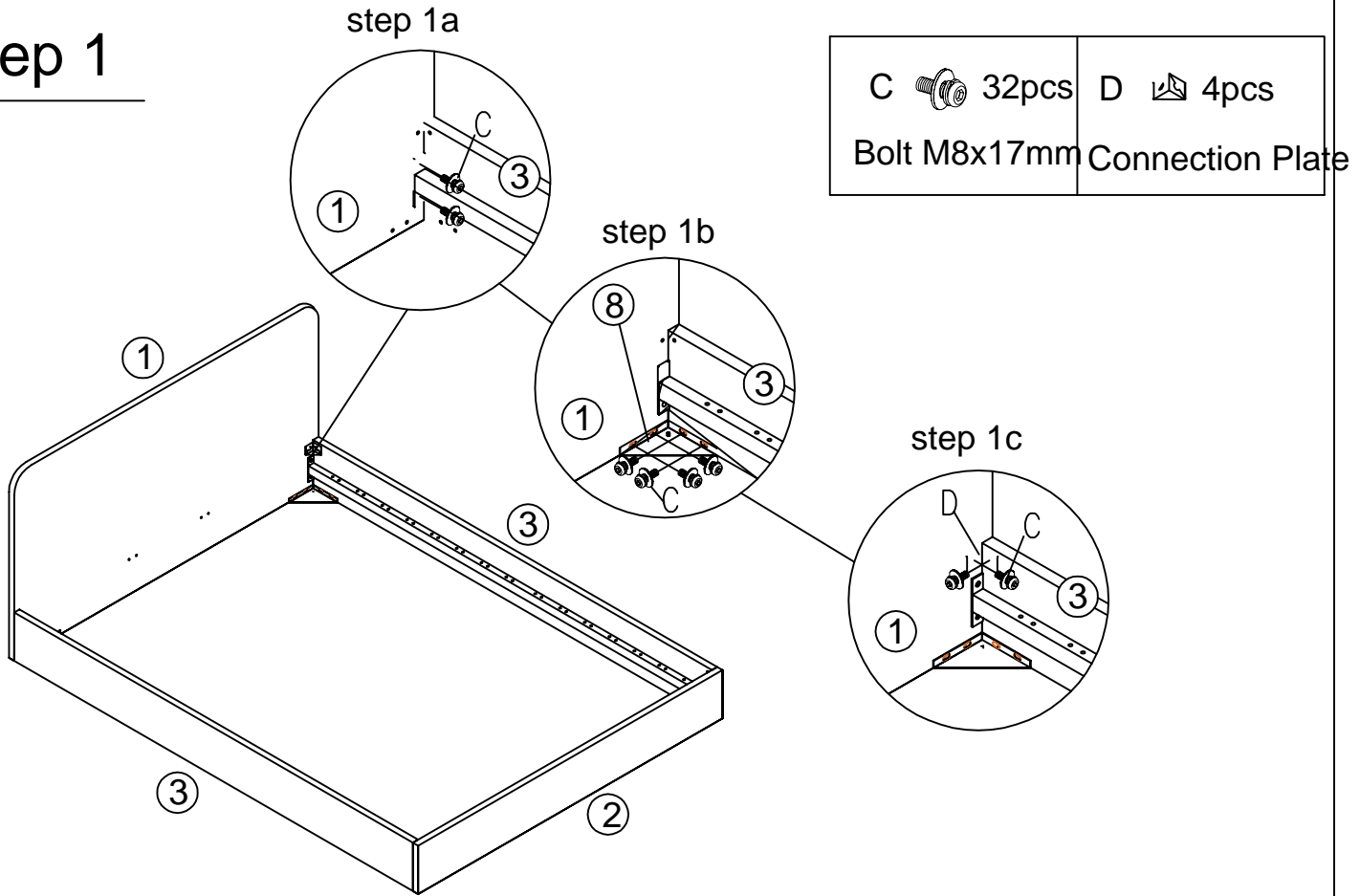
Label	Picture	Description	Qty	Label	Picture	Description	Qty
A		Single Plastic	30	D		Connection Plate	4
B		CAP	30	E		Bolt M6x25mm	6
C		Bolt M4x13mm	52				

CAP

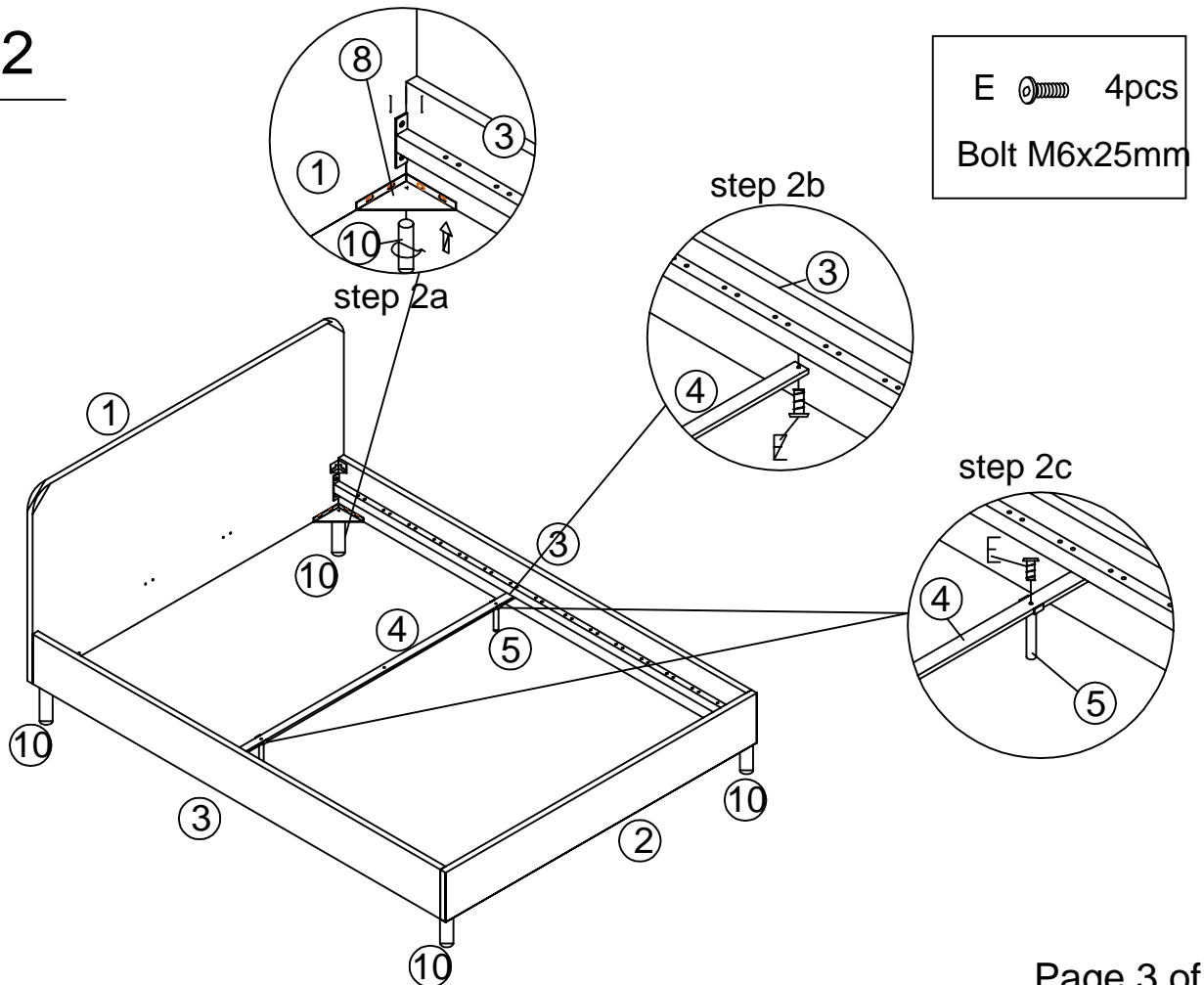
# Tool list

Label	Picture	Description	Qty
T-1		Allen key M5	1
T-2		Allen key M4	1

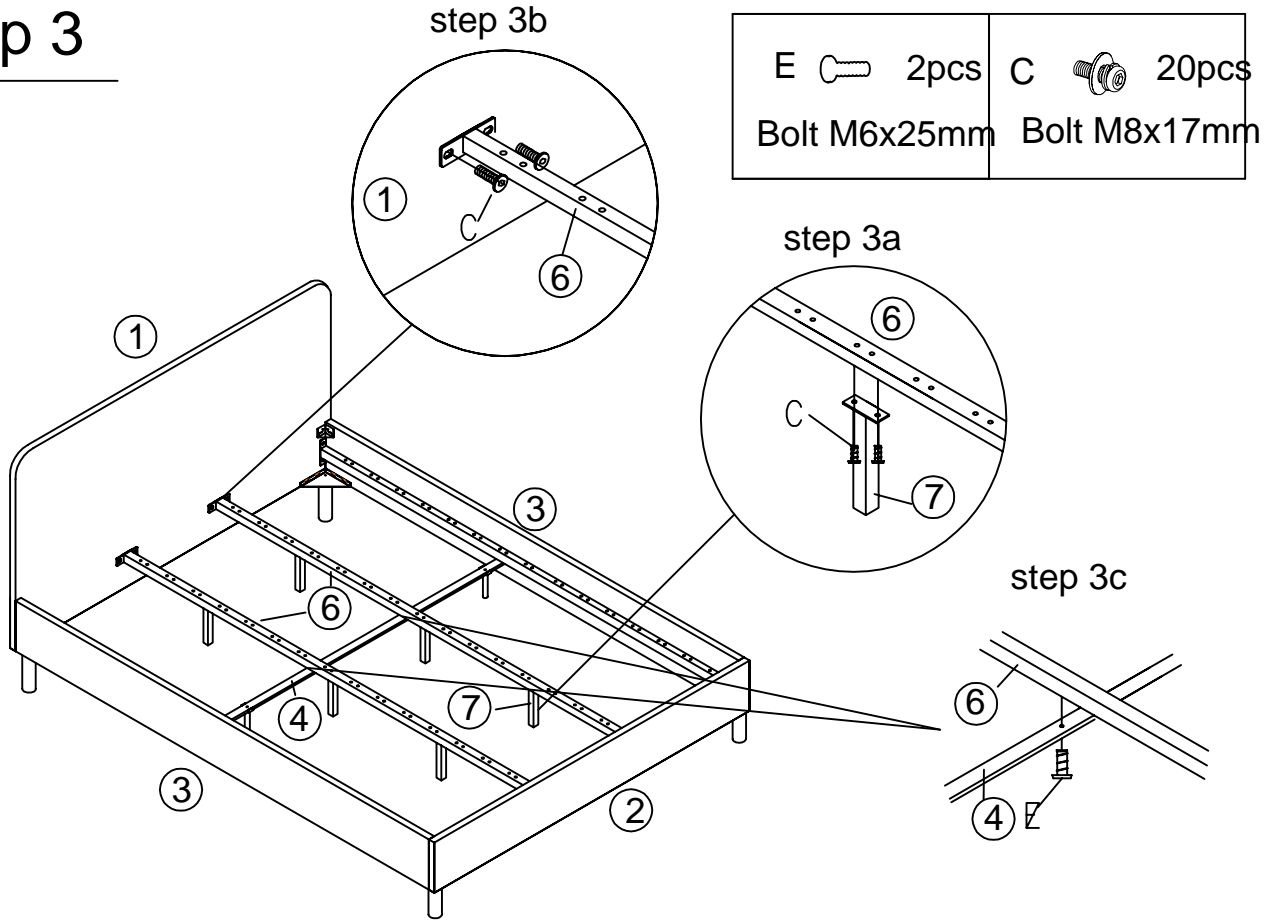
# Step 1



# Step 2



# Step 3



# Step 4

