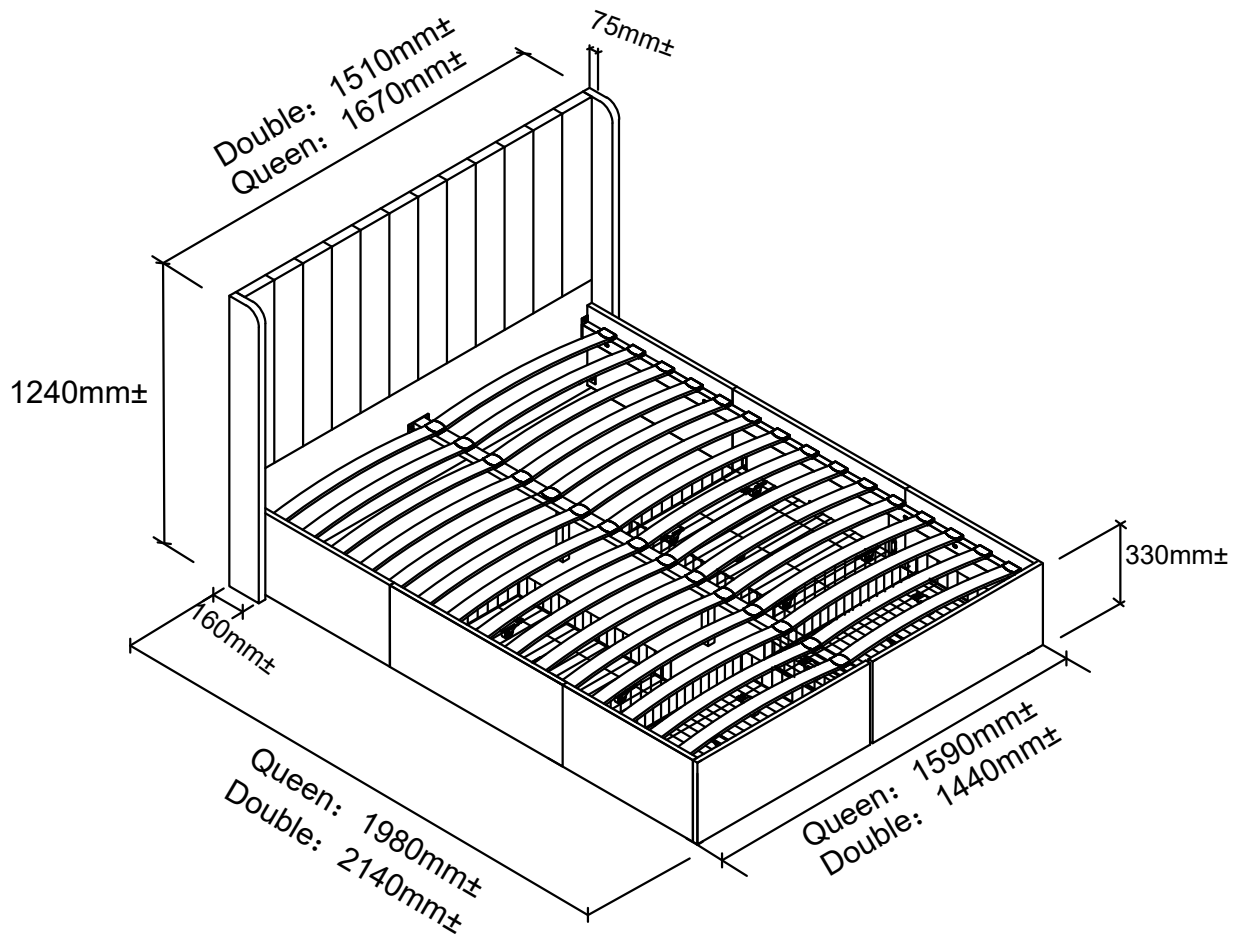
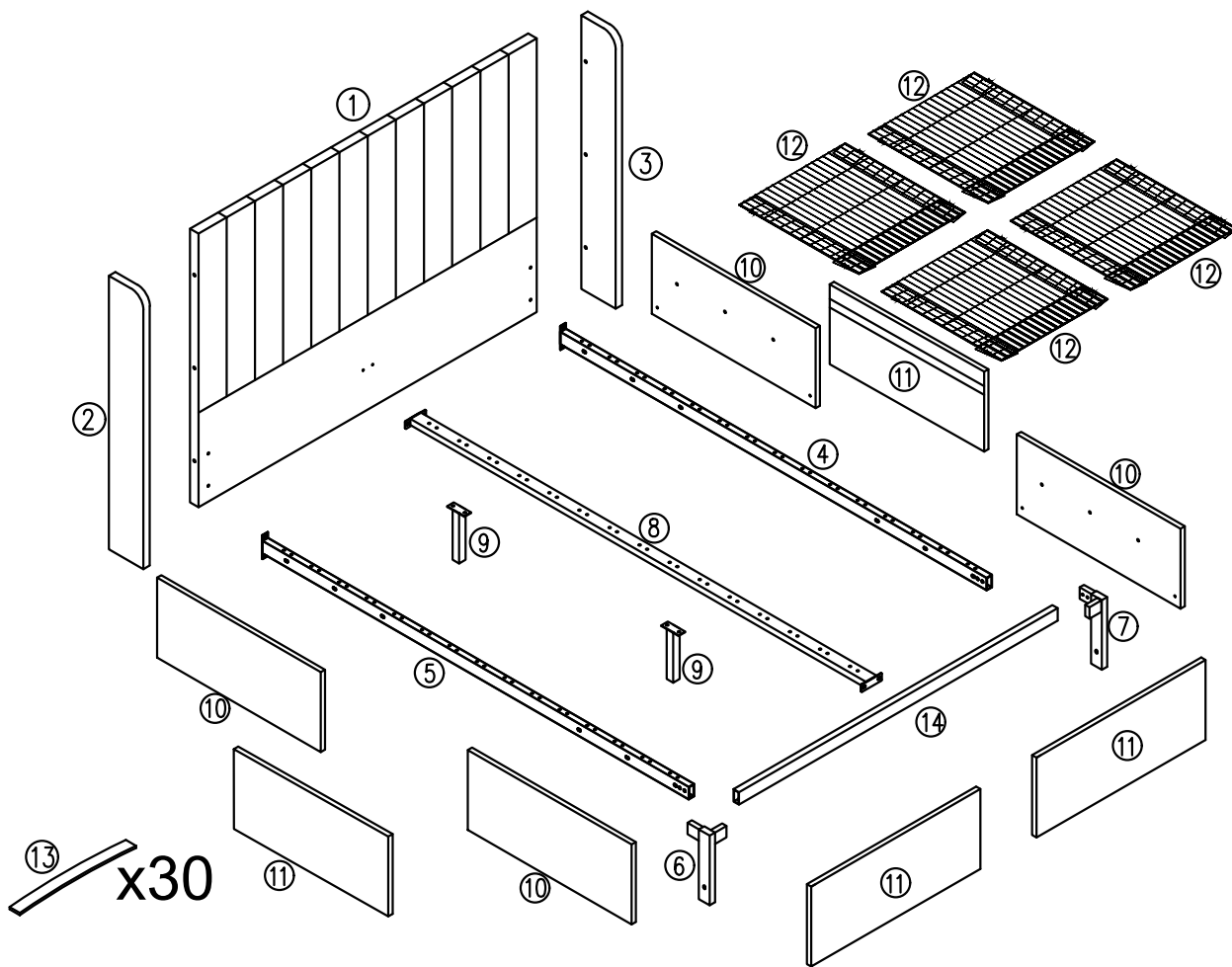


HUDSON MESH DOUBLE & QUEEN DRAWERS BED ASSEMBLY INSTRUCTIONS



HUDSON MESH DOUBLE & QUEEN DRAWERS BED IS FOR DOMESTIC USE
AND STRICTLY NOT FOR CONTRACT USE.

Parts list




Hardware list

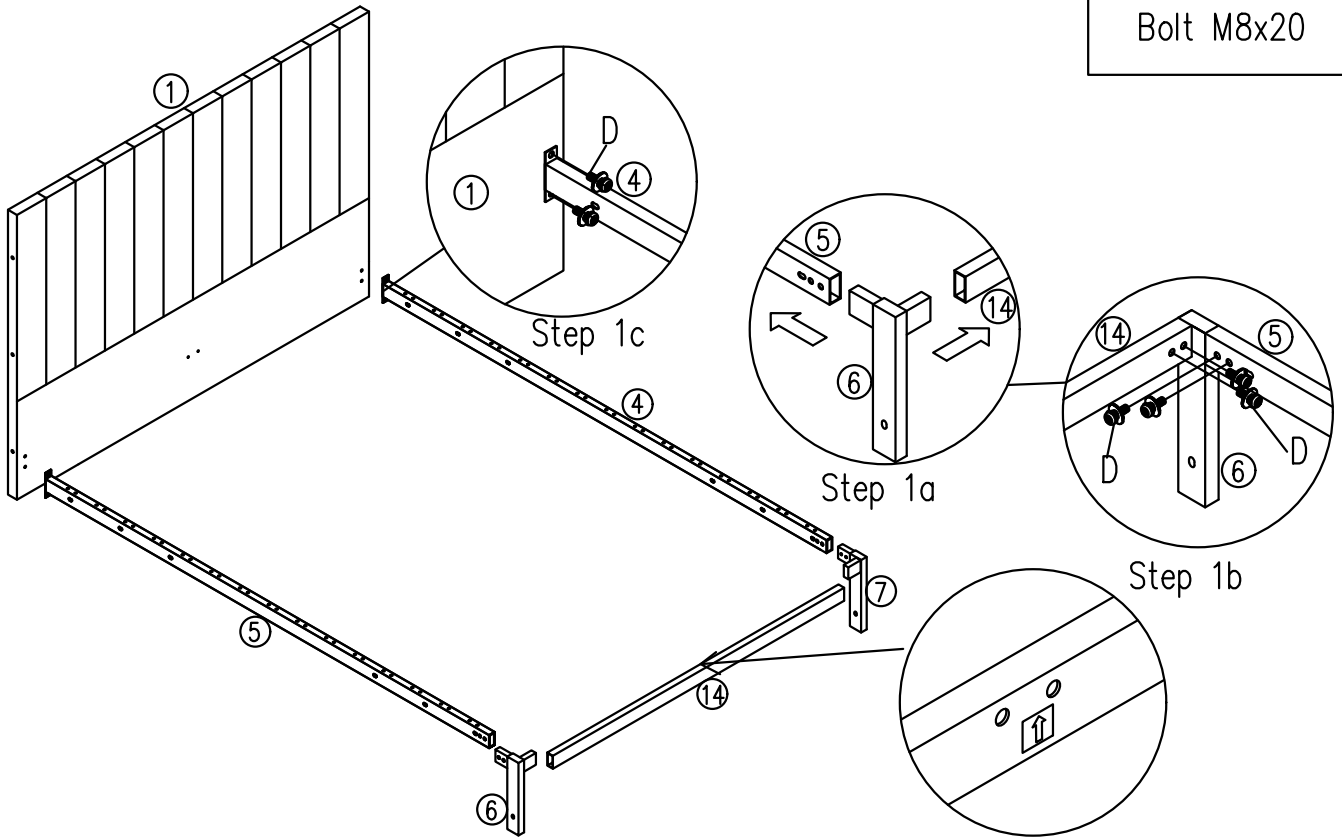
| Label | Picture | Description | Qty | Label | Picture | Description | Qty |
|-------|---------|------------------------|-----|-------|---------|--------------------|-----|
| A | | Connection Plate Left | 4 | F | | Plastic Clip | 8 |
| B | | Connection Plate Right | 4 | G | | Plastic Clip | 4 |
| C | | Bolt M8x40 | 20 | H | | Straight Wheel | 20 |
| D | | Bolt M8x20 | 44 | I | | Single Plastic CAP | 30 |
| E | | Connection | 2 | J | | Double Plastic CAP | 15 |

TOOL list

| Label | Picture | Description | Qty |
|-------|---------|--------------|-----|
| T-1 | | Allen key M5 | 1 |

Step 1

D  12pcs
Bolt M8x20

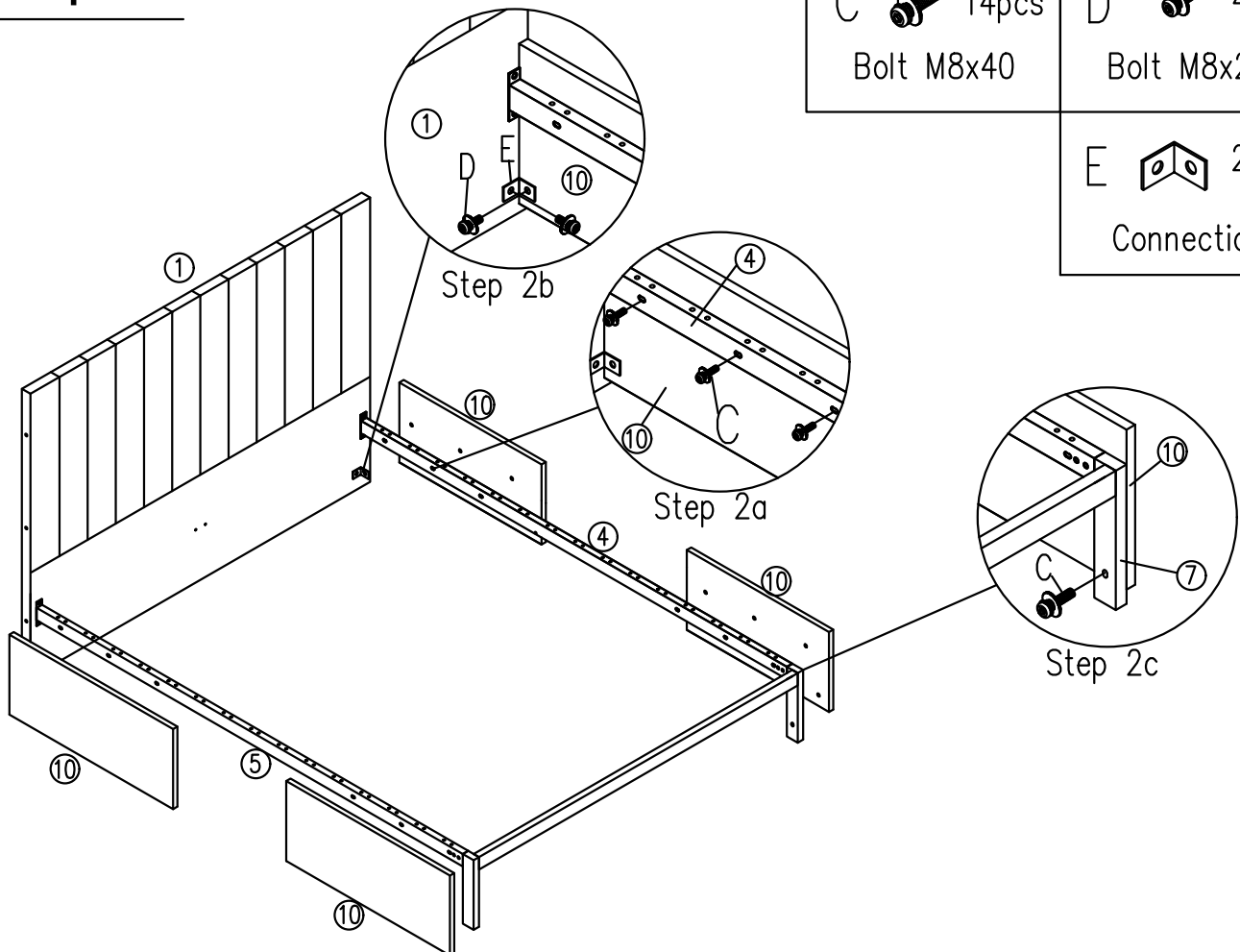


Step 2

C  14pcs
Bolt M8x40

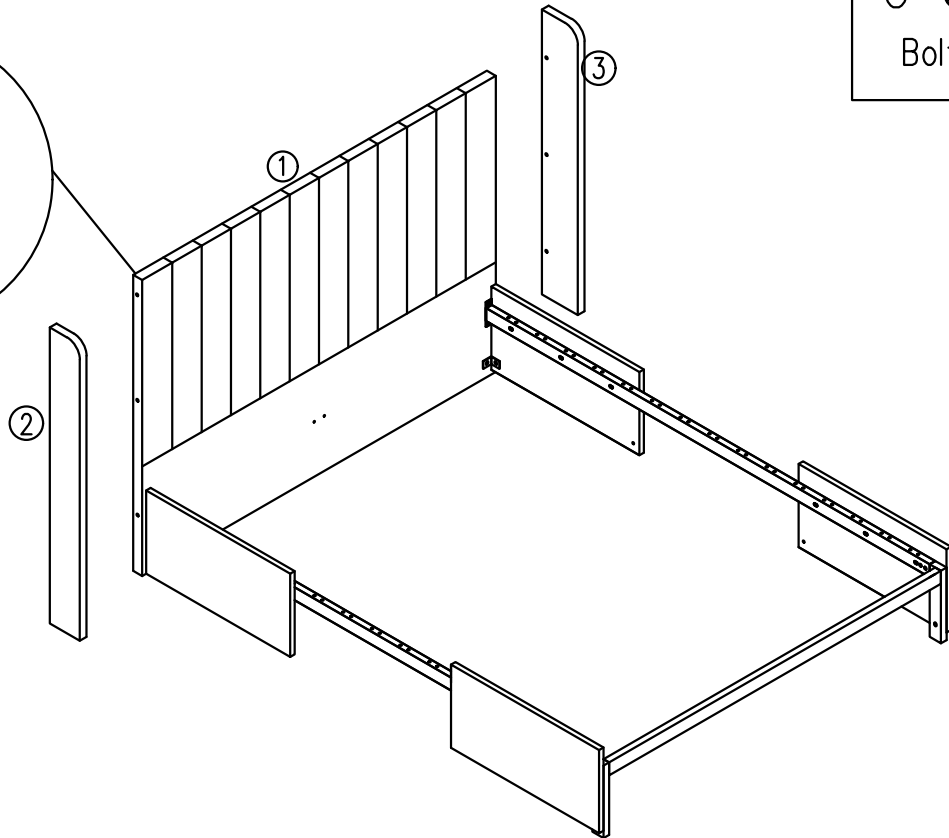
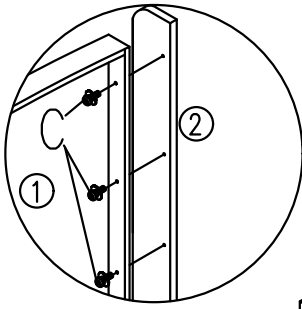
D  4pcs
Bolt M8x20

E  2pcs
Connection




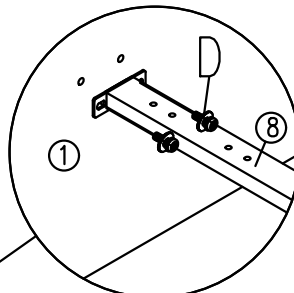
Step 3

C  6pcs
Bolt M8x40

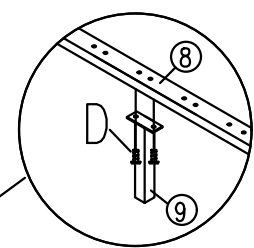


Step 4

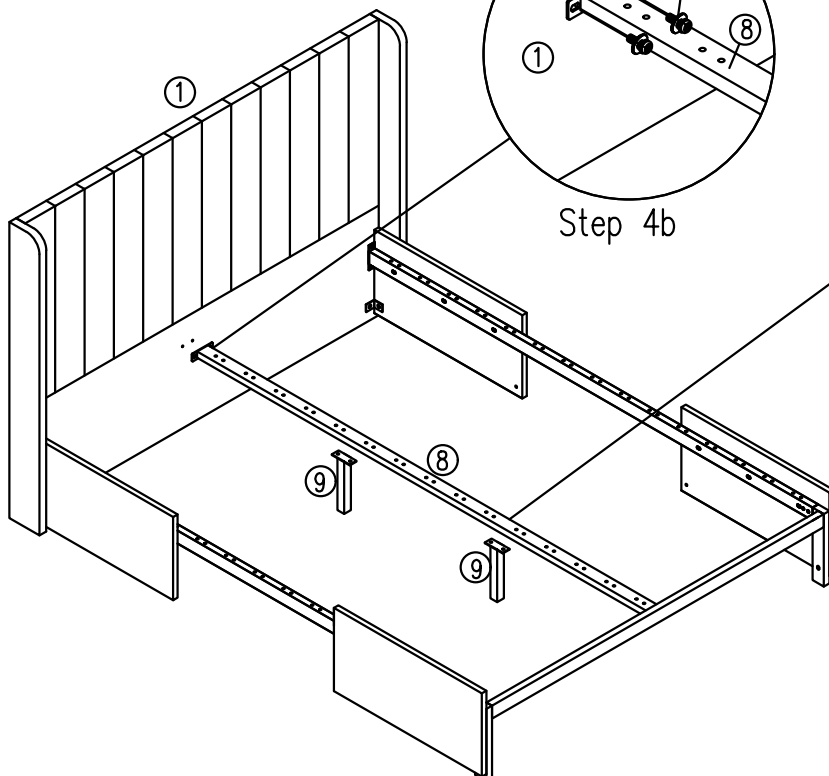
D  8pcs
Bolt M8x20





Step 4b

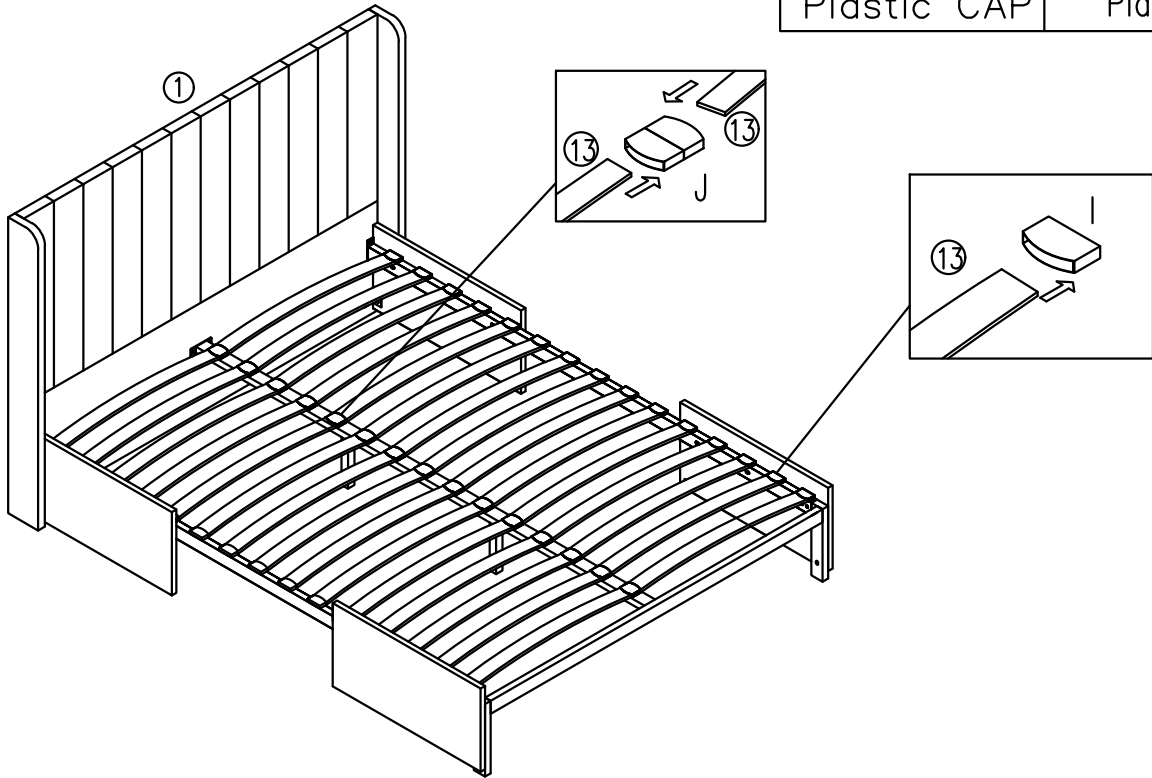


Step 4a







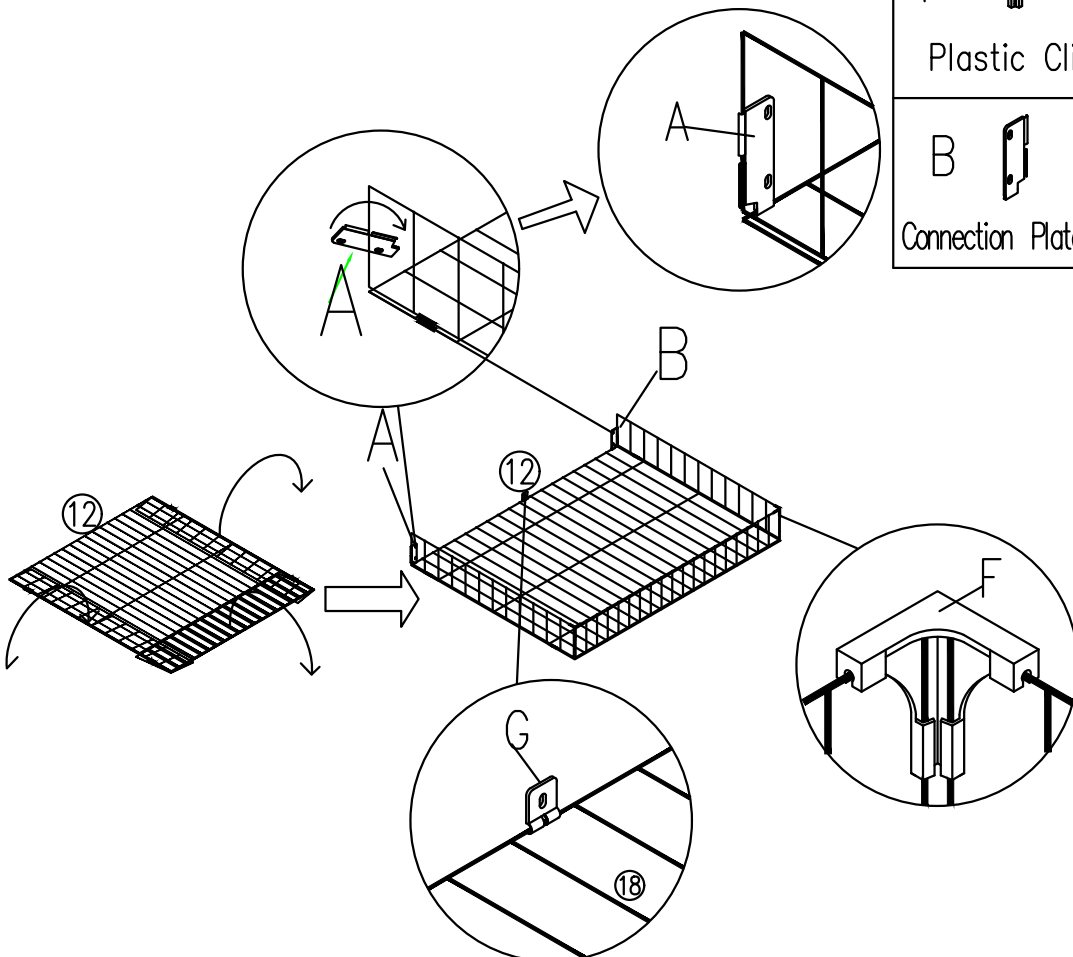
Step 5

| | | | | | |
|---|-------------------------------------------------------------------------------------|-------|---|-------------------------------------------------------------------------------------|-------|
| I |  | 30pcs | J |  | 15pcs |
| | Single Plastic CAP | | | Double Plastic CAP | |



Step 6

| | | | | | |
|---|---------------------------------------------------------------------------------------|------|---|---------------------------------------------------------------------------------------|------|
| F |  | 8pcs | A |  | 4pcs |
| | Plastic Clip | | | Connection Plate Left | |
| B |  | 4pcs | G |  | 4pcs |
| | Connection Plate Right | | | Plastic Clip | |

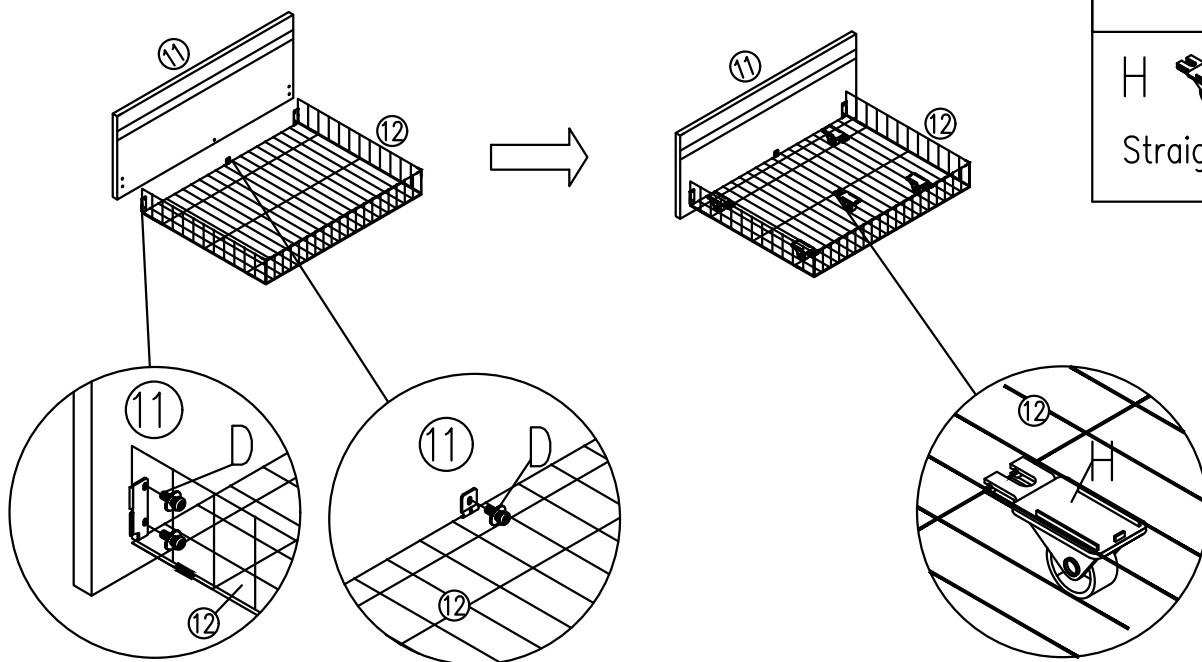


Secure the plastic clip to the drawer

Step 7

D  20pcs
Bolt M8x20

H  20pcs
Straight Wheel



Step 8

