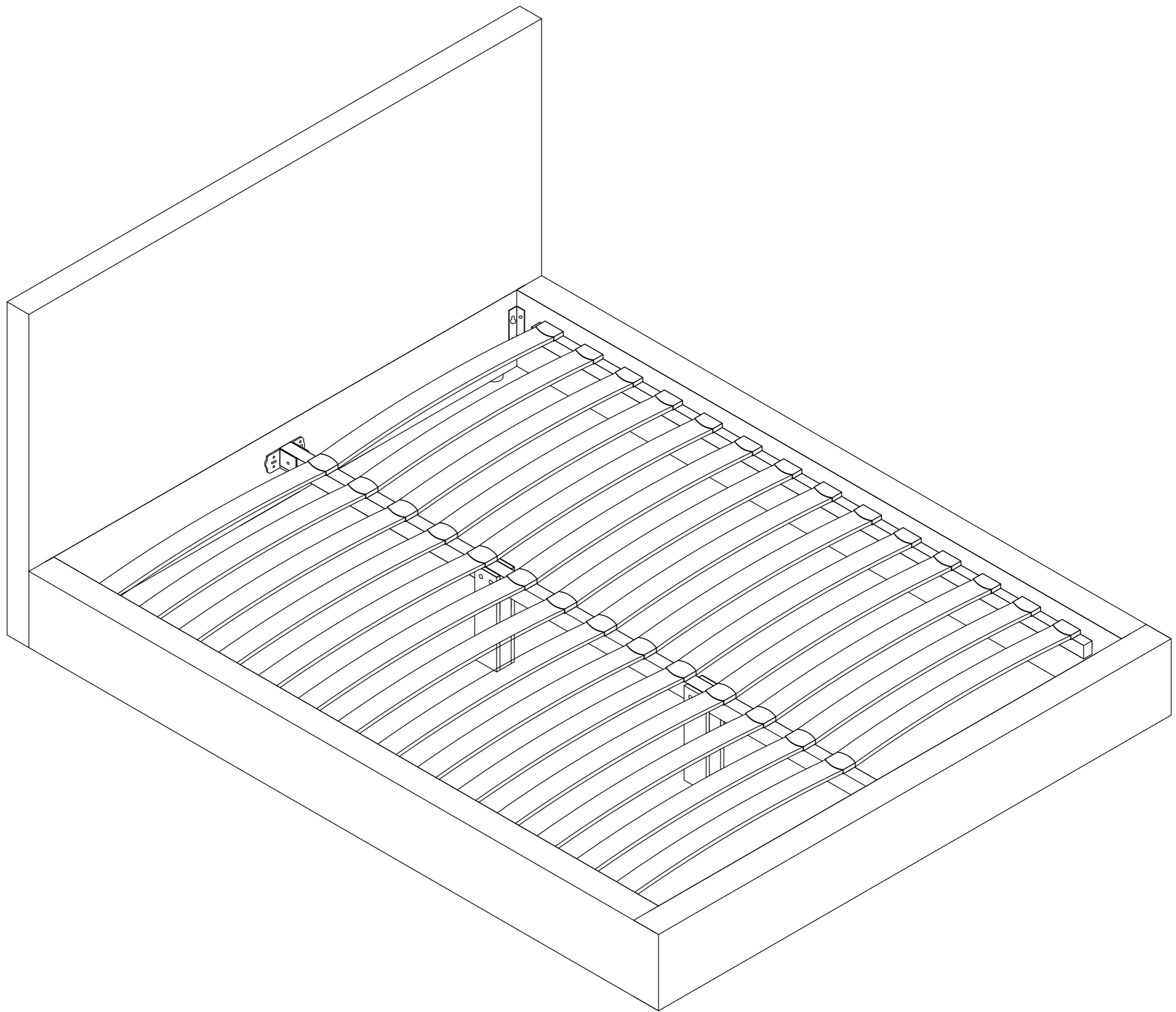


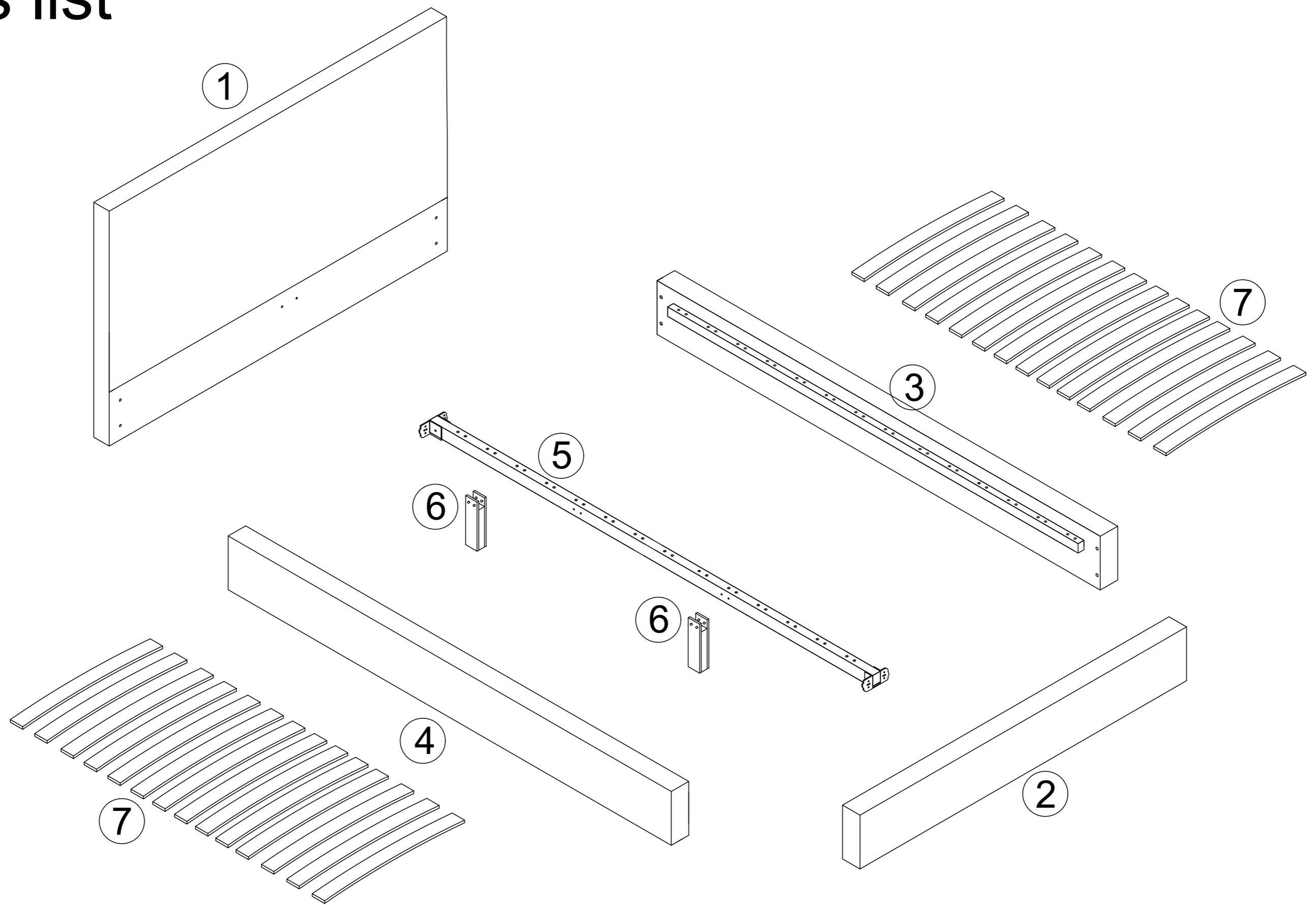
ASSEMBLY INSTRUCTIONS



NOTE: FITTINGS AND SLATS ARE AT THE BACK OF THE BED HEAD

THIS BED IS FOR DOMESTIC USE
AND STRICTLY NOT FOR CONTRACT USE.

Parts list



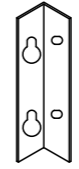
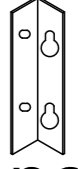
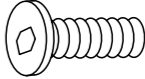
Hardware list

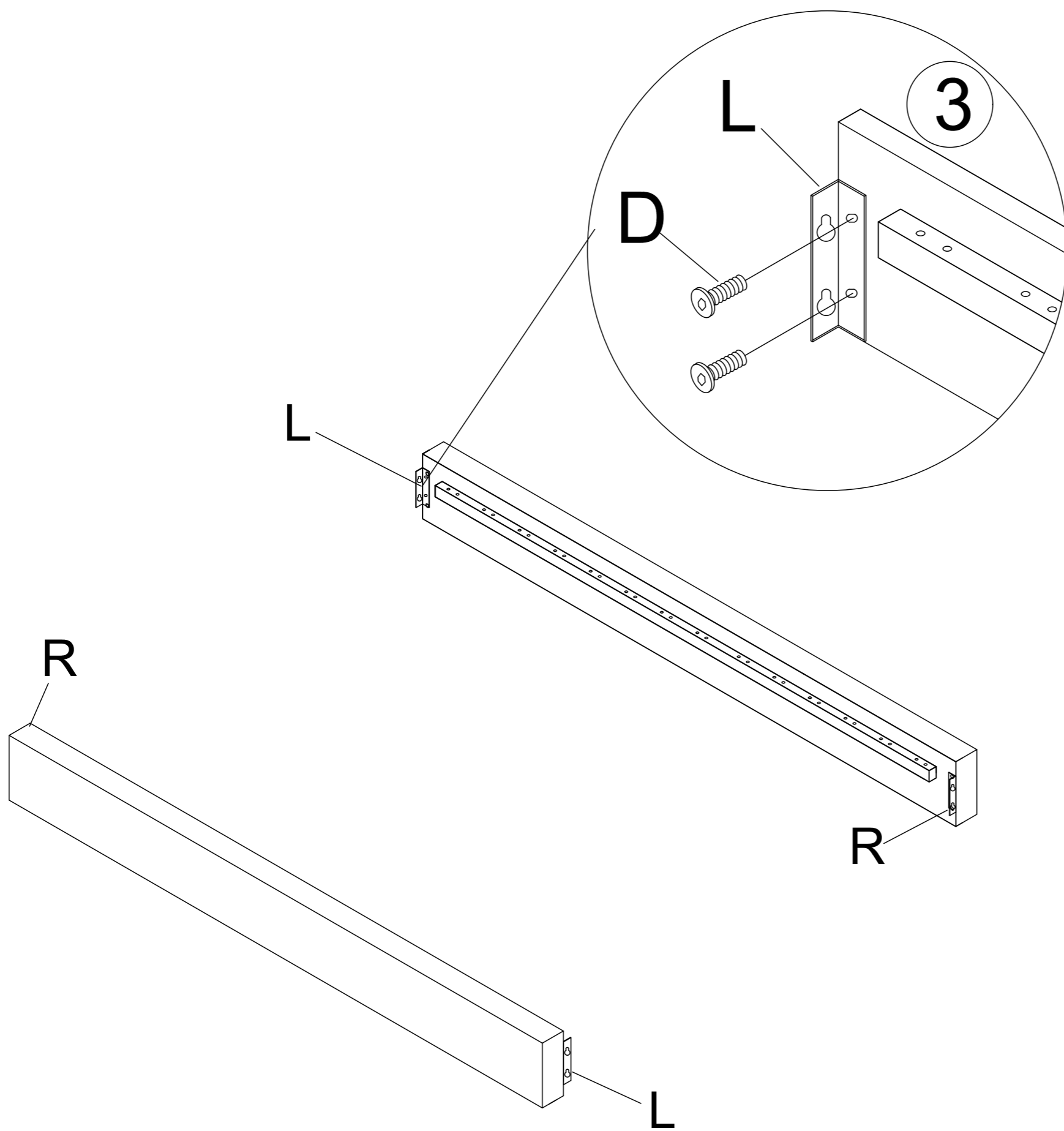
Label	Picture	Description	Qty	Label	Picture	Description	Qty
A		Single Plastic CAP	28	G		Nut	4
B		Double Plastic CAP	14	H		Bolt M8x65mm	4
C		Metal Frame "U"	2	I		Bolt M6x20mm	4
D		Bolt M8x20mm	8	L		Connection Plate Left	2
E		Bolt M8x25mm	8	R		Connection Plate Right	2
F		Screw 3.5x15mm	4				

Tool list

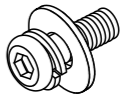
Label	Picture	Description	Qty
T-1		Screw driver(not provided)	1
T-2		Allen key M5	1
T-3		Allen key M4	1
T-4		Spanner	1

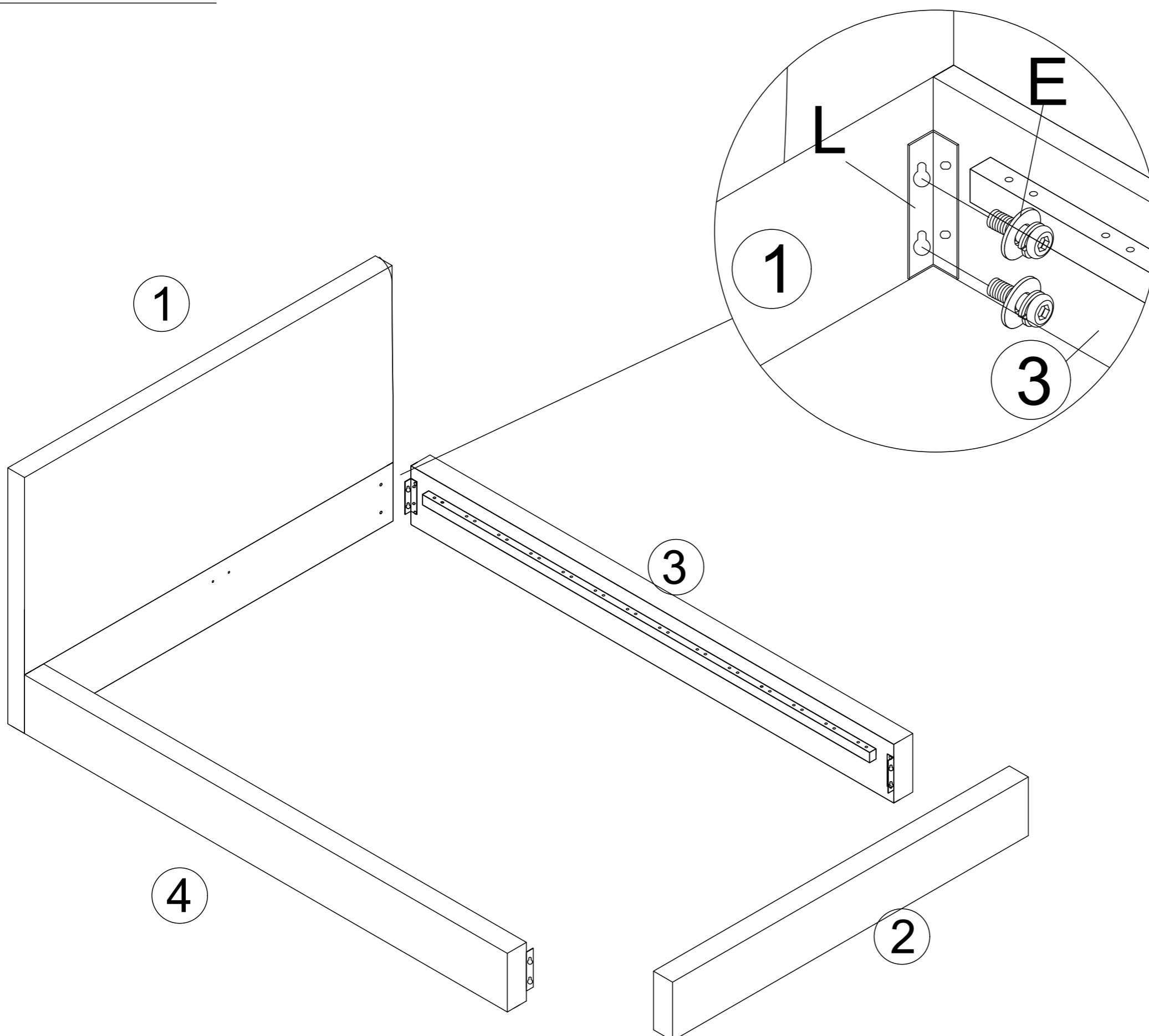
Step 1

L  2pcs Connection Plate Left	R  2pcs Connection Plate Right
D  8pcs Bolt M8x20mm	




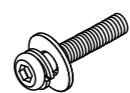
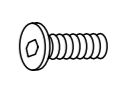

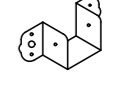
Step 2

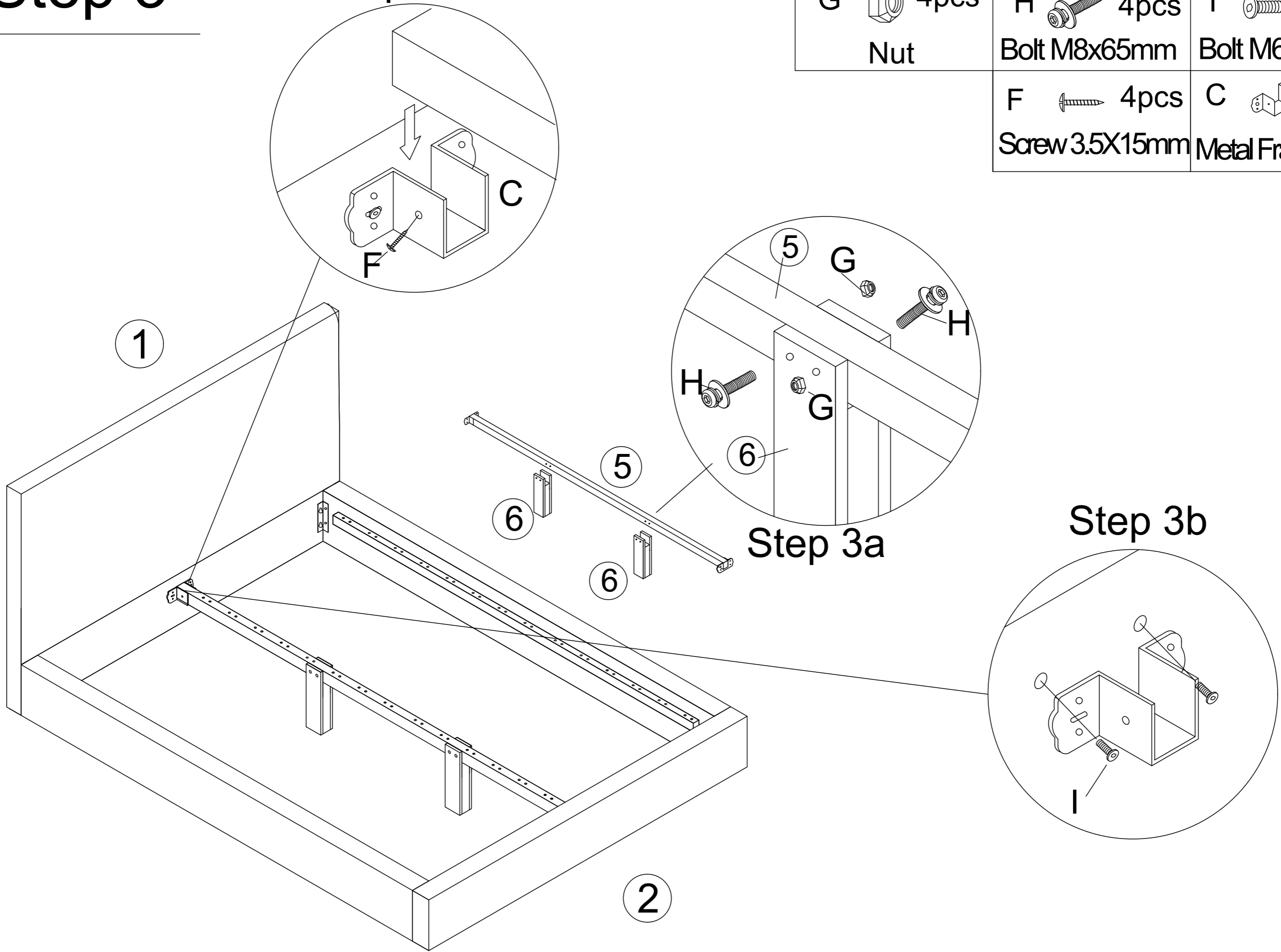
E  8pcs Bolt M8x25mm
--




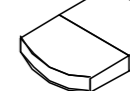
Step 3

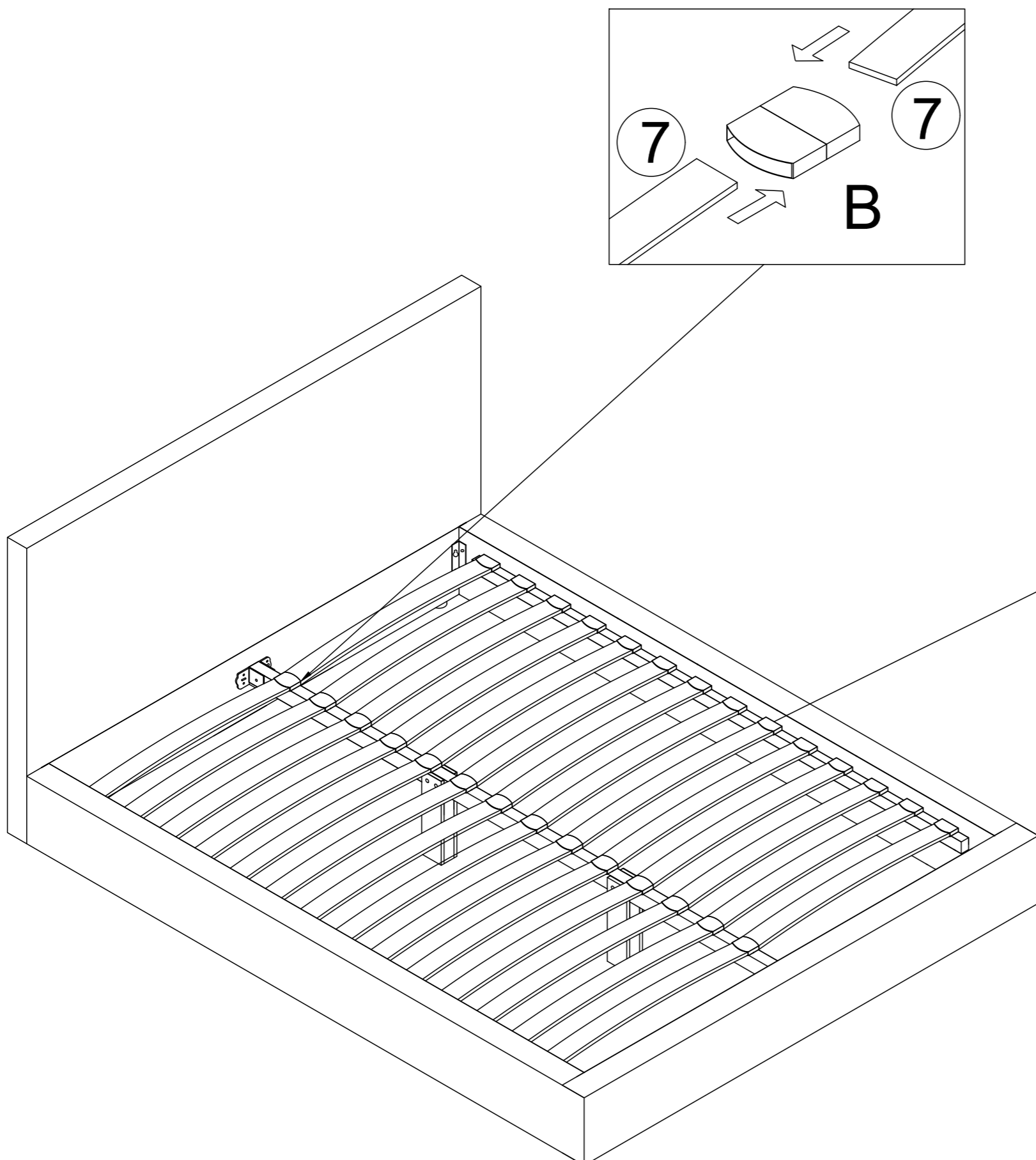
Step 3c

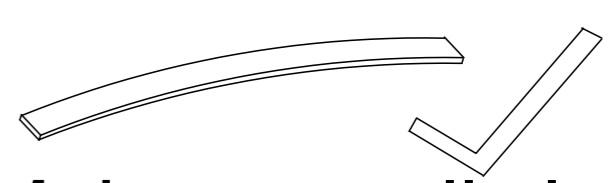
G  4pcs Nut	H  4pcs Bolt M8x65mm	I  4pcs Bolt M6x20mm
F  4pcs Screw 3.5X15mm	C  2pcs Metal Frame "U"	



Step 4

A  28pcs Single Plastic Cap	B  14pcs Double Plastic Cap
---	---




 Make sure all slats
 arched like this when
 assembled