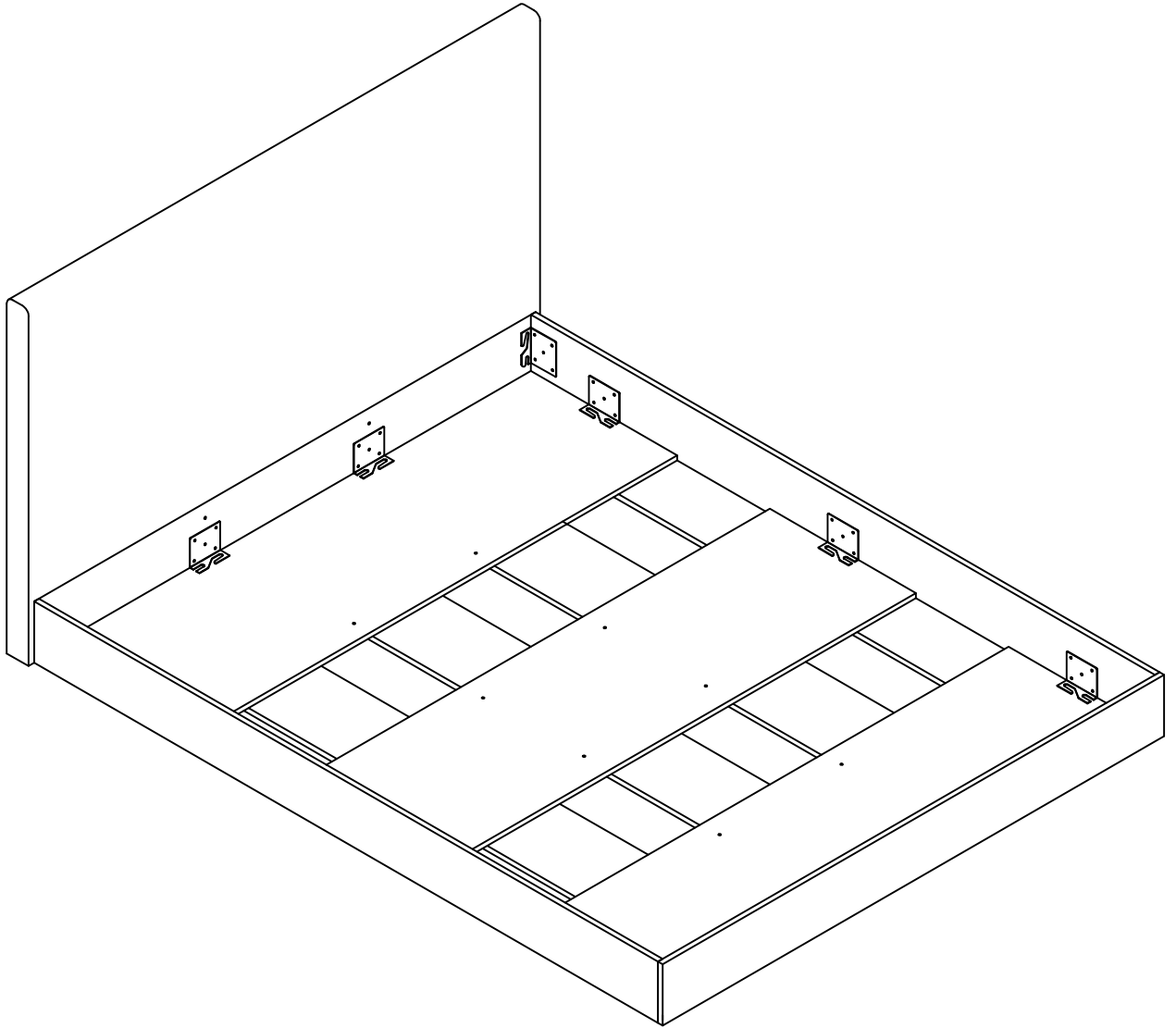
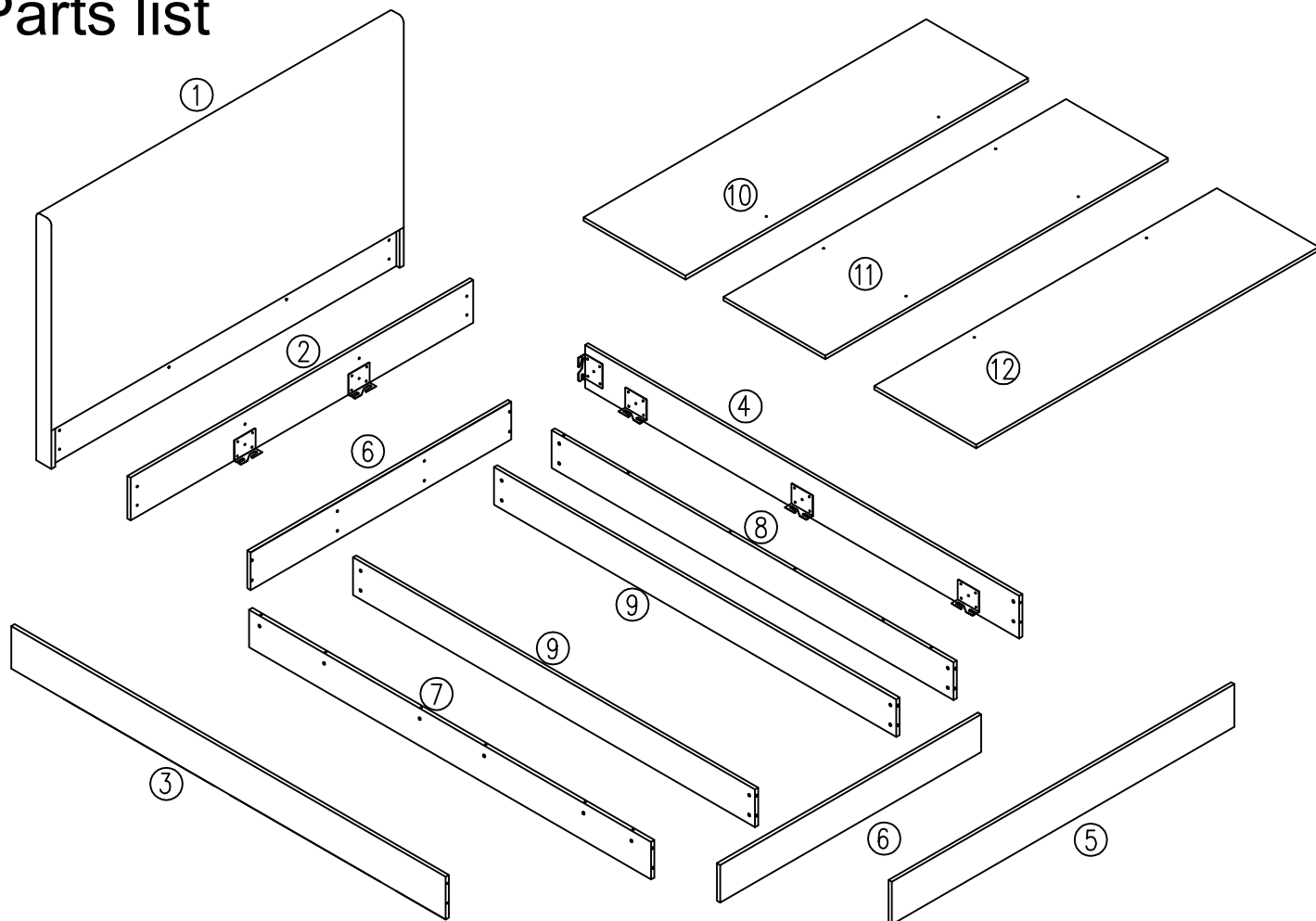


ASSEMBLY INSTRUCTIONS





Parts list



Hardware list

Label	Picture	Description	Qty	Label	Picture	Description	Qty
A		Connecting rod	32	E		Spring Washer	26
B		Connecting buckle	32	F		Washer M6	26
C		Screw 4x35	10	G		Bolt M6x40	6
D		Bolt M6x20	20				

Tool list

Label	Picture	Description	Qty
T-1		Screw driver(not provided)	1
T-2		Allen key M4	1

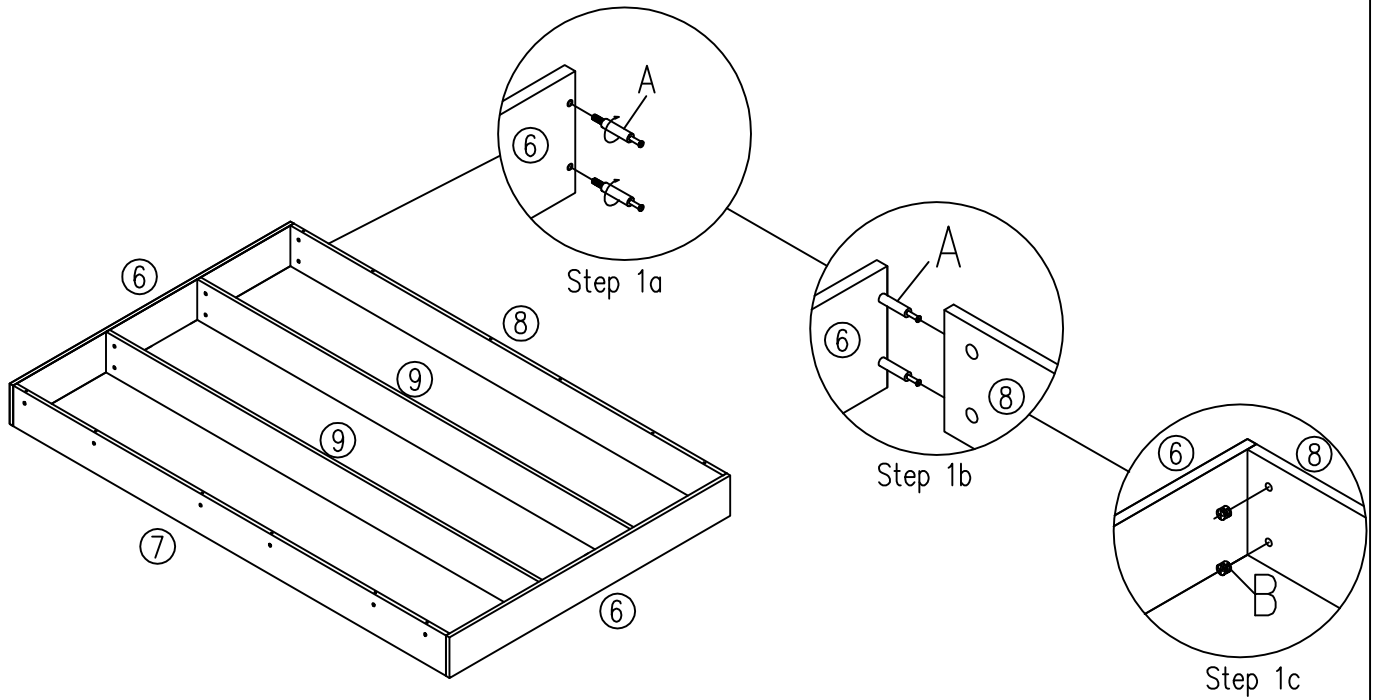
Step 1

A  16pcs

Connecting rod

B  16pcs

Connecting buckle



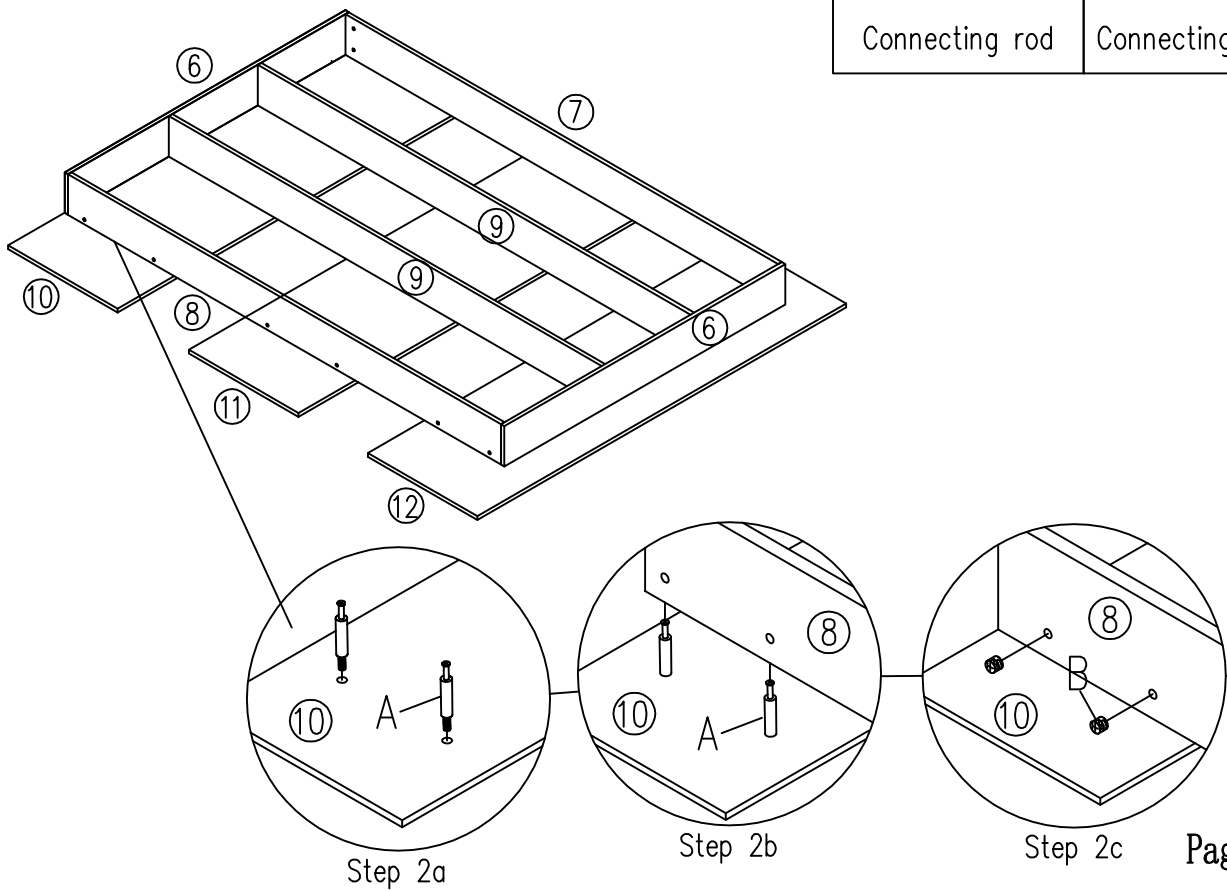
Step 2

A  12pcs


Connecting rod

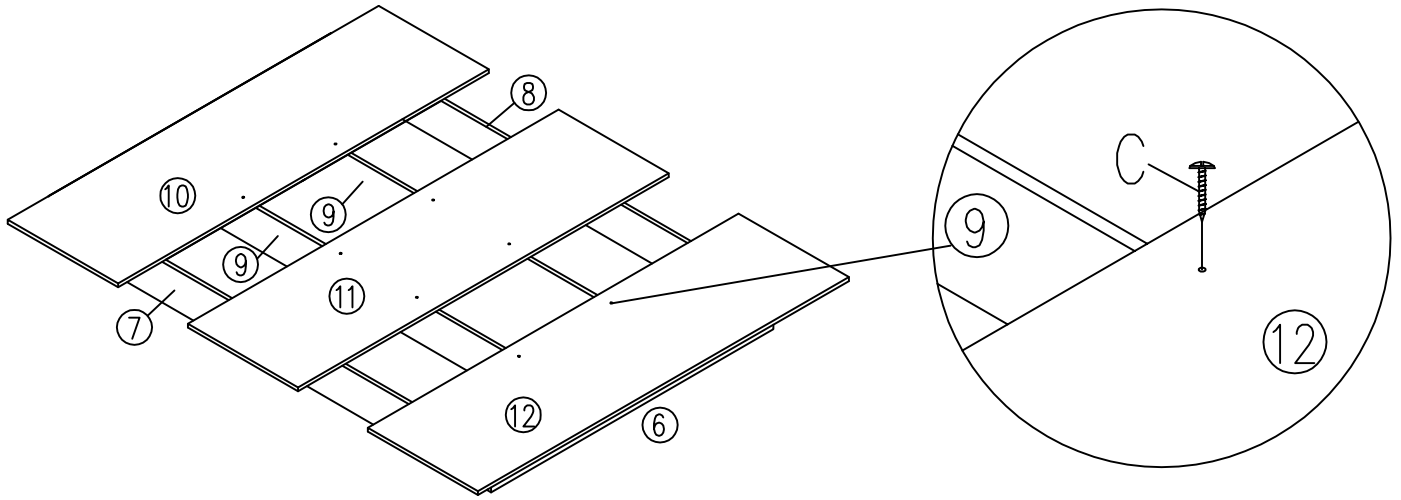
B  12pcs

Connecting buckle






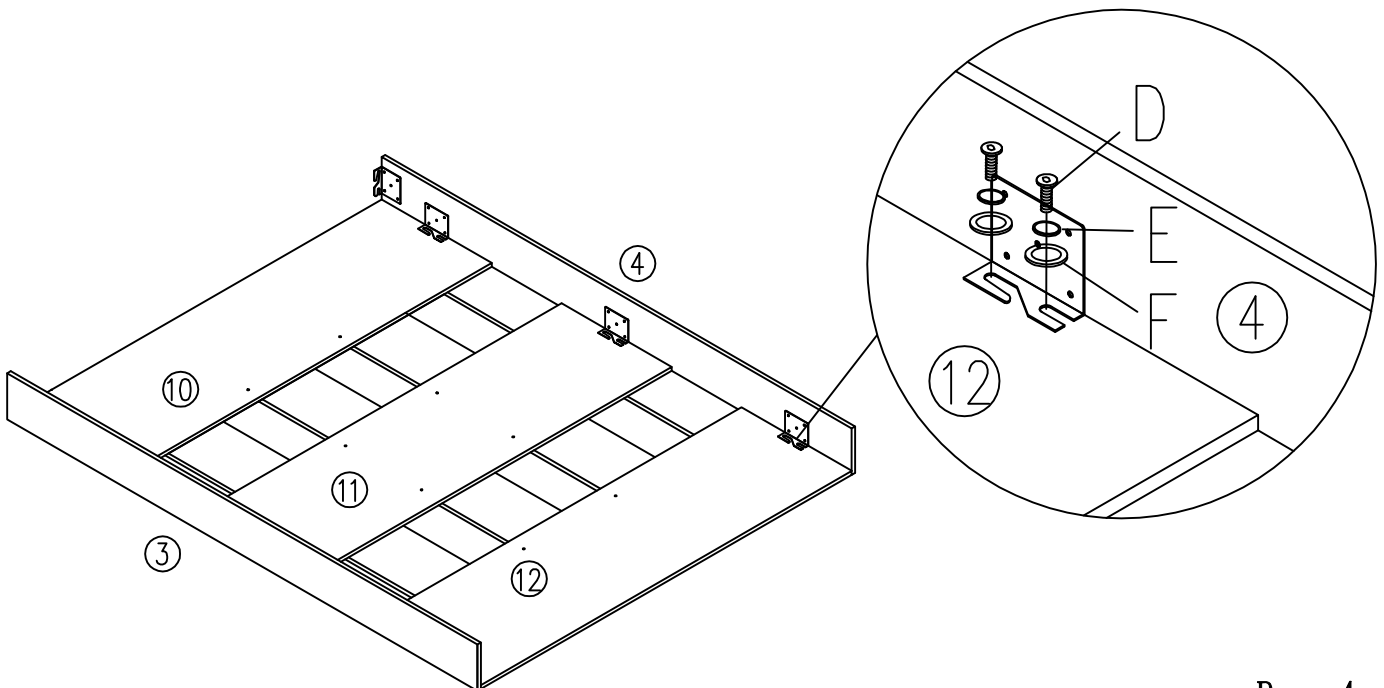
Step 3

C  10pcs
Screw 4x35

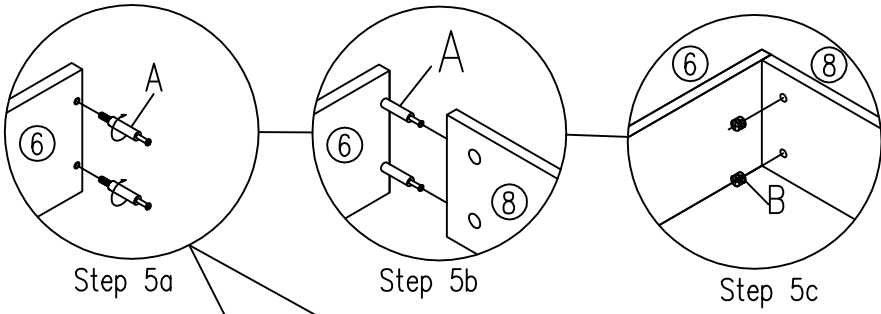







Step 4

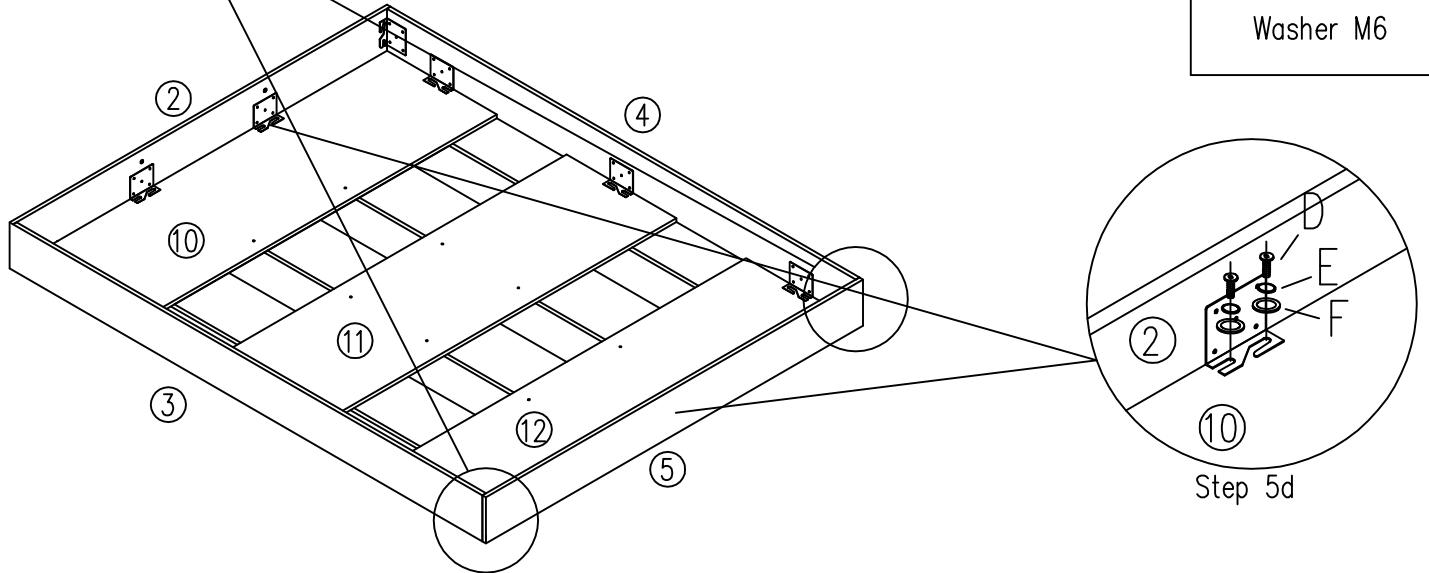
D  12pcs Bolt M6x20	E  12pcs Spring Washer	F  12pcs Washer M6
---	--	--



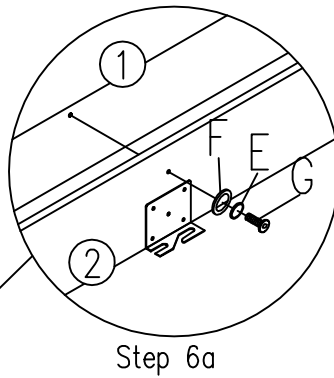
Step 5

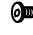




A  4pcs Connecting rod	B  4pcs Connecting buckle
D  8pcs Bolt M6x20	E  8pcs Spring Washer
	F  8pcs Washer M6



Step 6



G  6pcs Bolt M6x40	E  6pcs Spring Washer
	F  6pcs Washer M6

