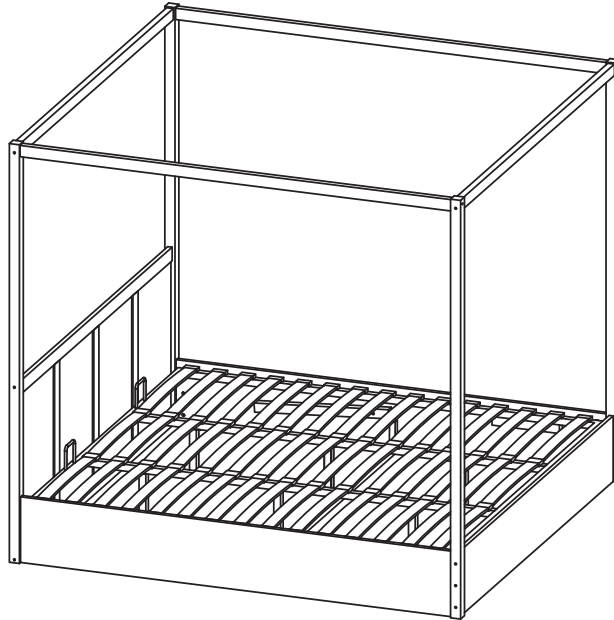
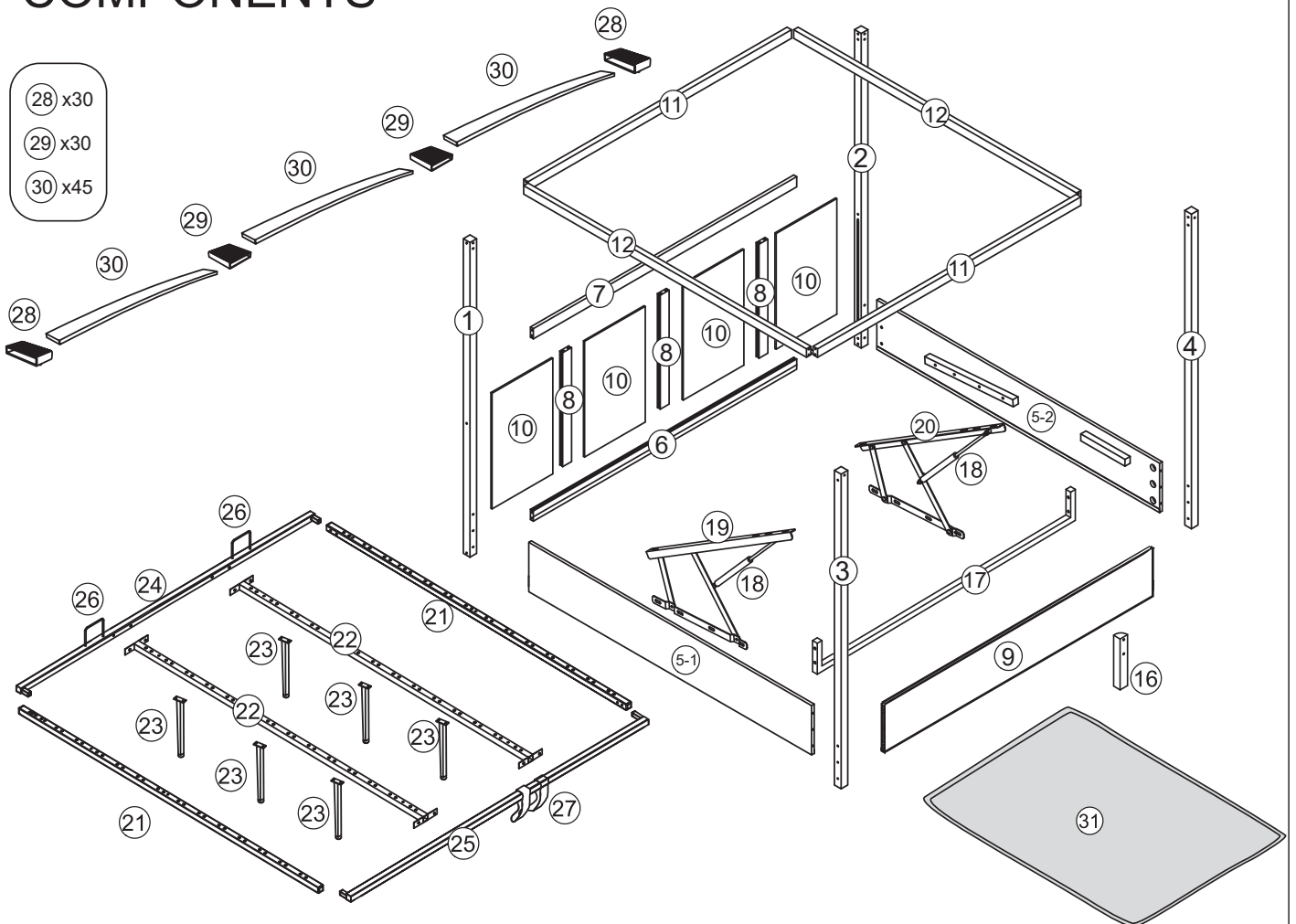



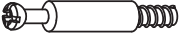







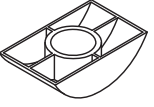
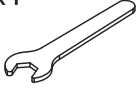

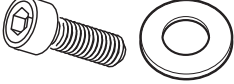

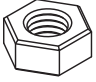
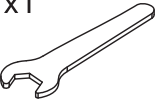


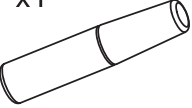

ISAAK OTTOMAN WOODEN BED WITH POST - KING SIZE ASSEMBLY INSTRUCTIONS

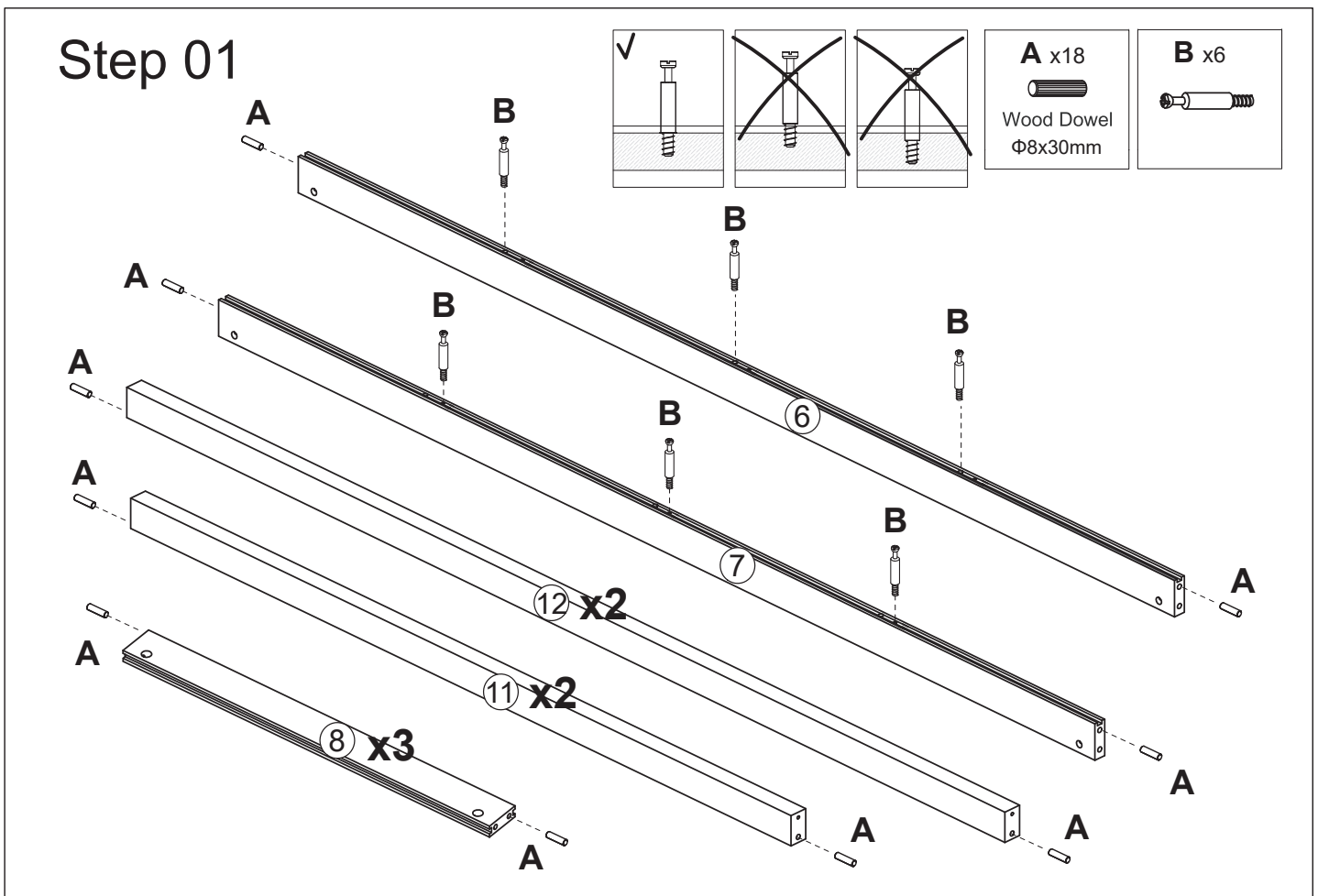


COMPONENTS

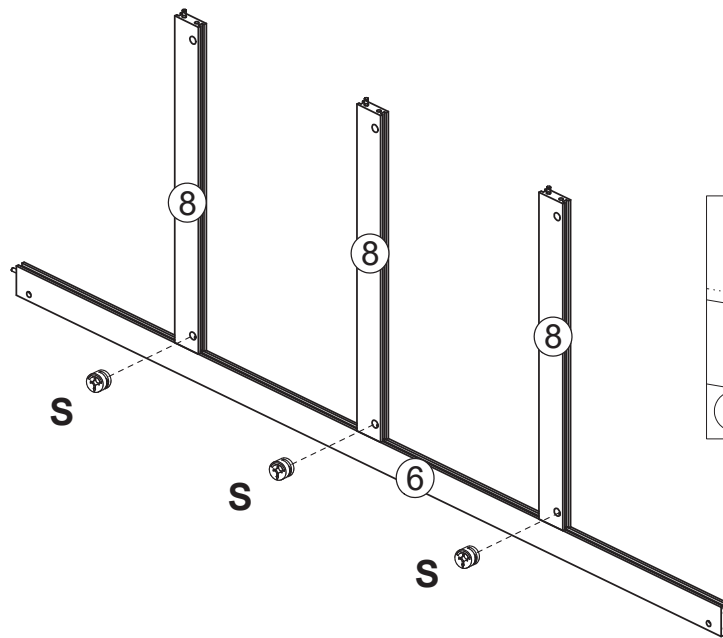


HARDWARE

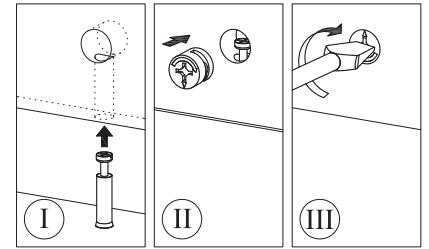
A x18  Wood Dowel Φ8x30mm	B x6  Bolt M6x35mm	C x8  Bolt Φ6x70mm	D x2  Bolt M6x65mm	E x16  T-Nut
F x16  Bolt M6x75mm	G x6  Bolt M6x35mm	H x6  Stud M6x60mm	J x6  Nut M6	K x6  Half Moon Washer
L x1  Spanner M6	M x1  Allen Key M4	N x8  Bolt & Washer Φ8x20mm	O x34  Bolt Φ8x15mm	P x4  Nut M8
Q x1  Spanner M10	R x1  Allen Key M5	S x6  Washer	T x1  Wood Glue	I x1  Screw driver (not provided)



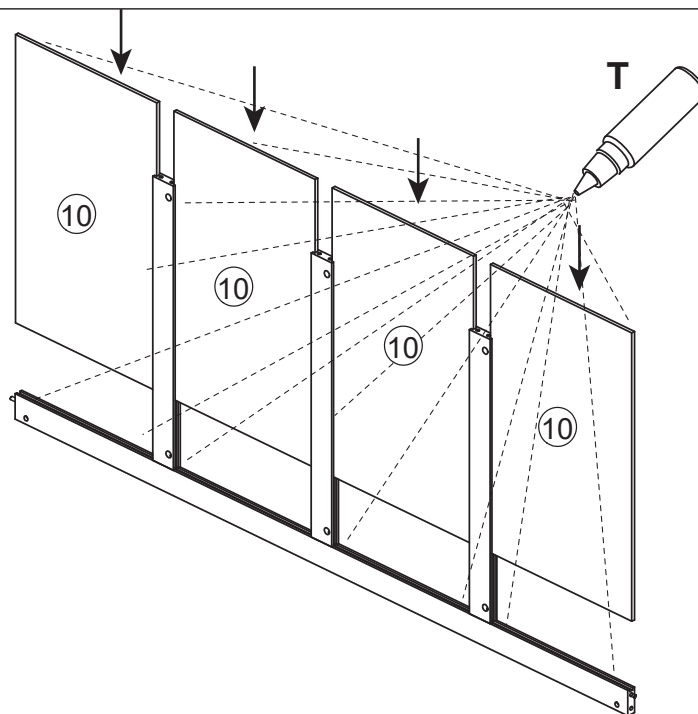
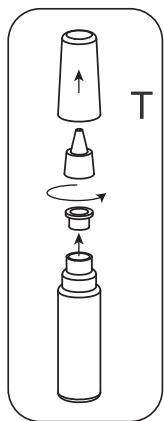
Step 02



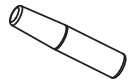
S x3



Step 03

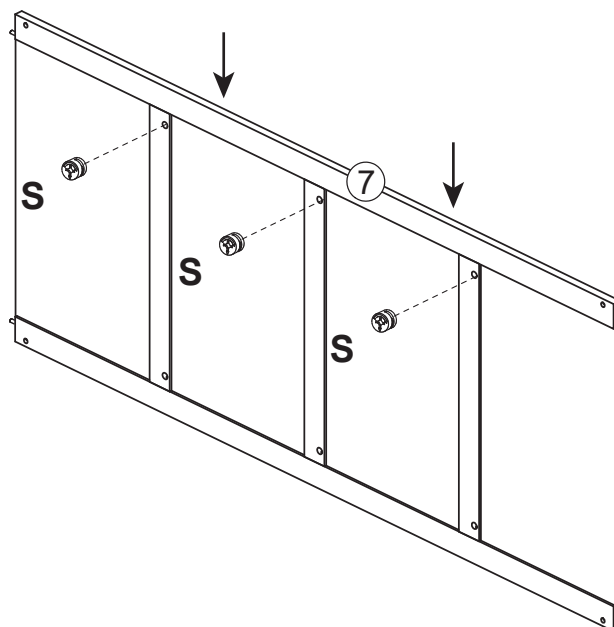


T x1

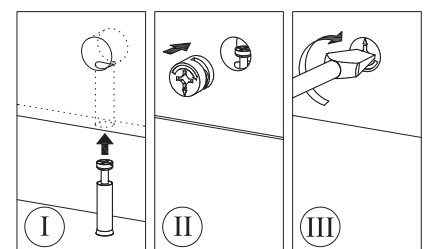


Wood Glue

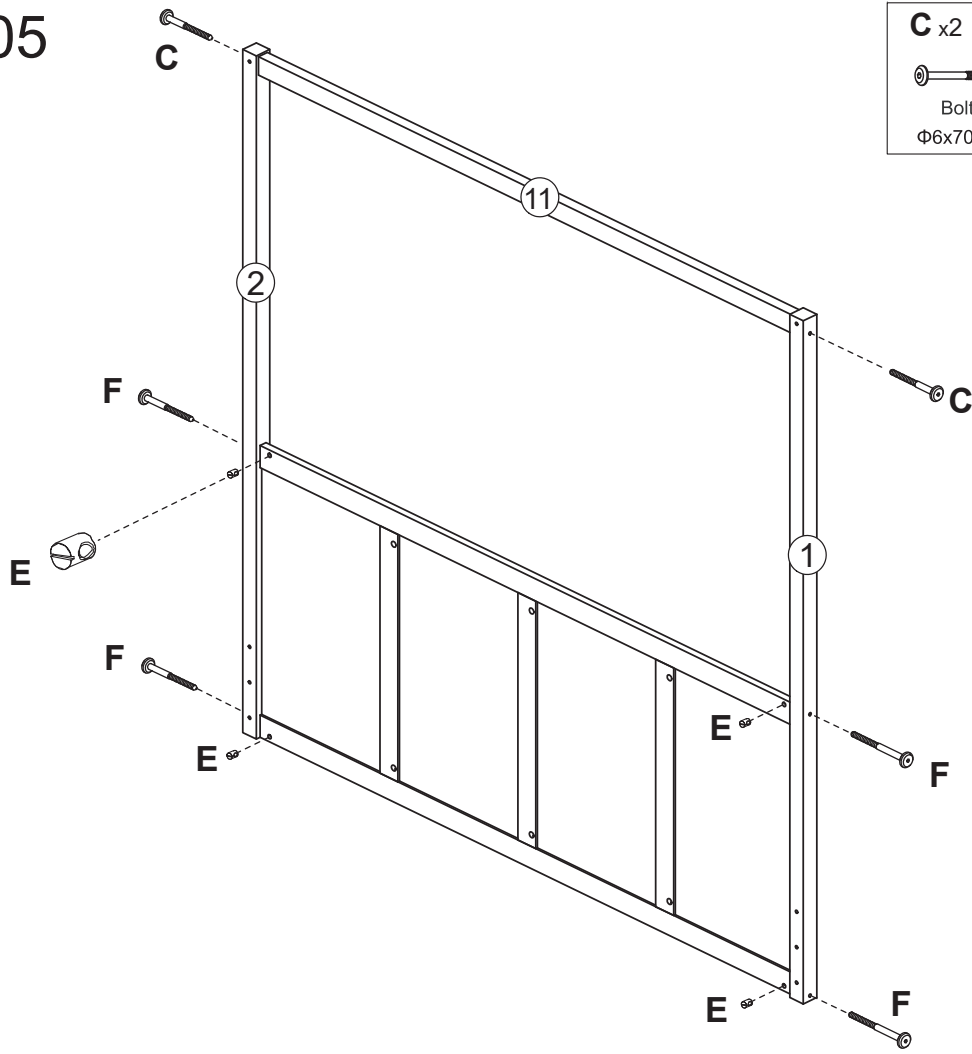
Step 04



S x3



Step 05

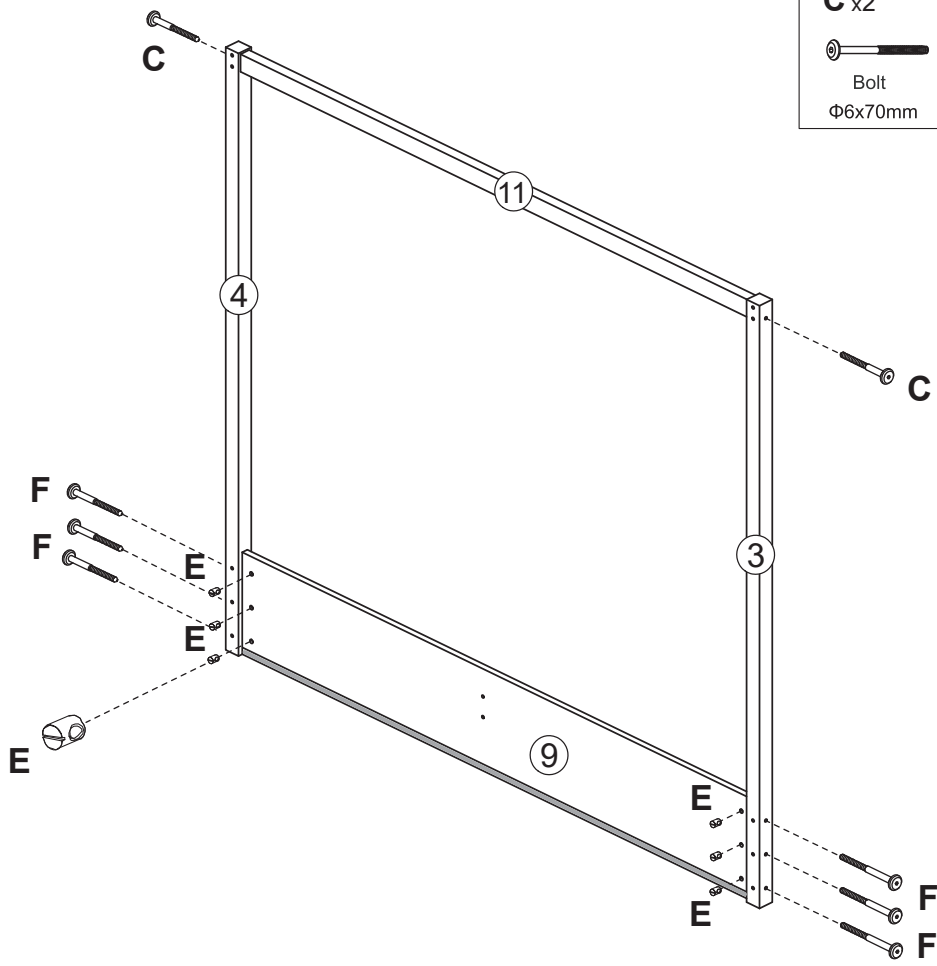


C x2
Bolt
Φ6x70mm

F x4
Bolt
M6x75mm

E x4
T-Nut

Step 06

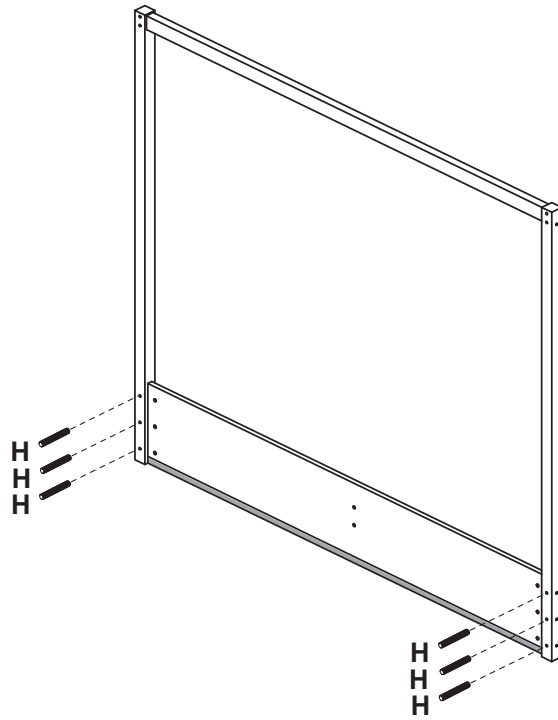


C x2
Bolt
Φ6x70mm

F x6
Bolt
M6x75mm

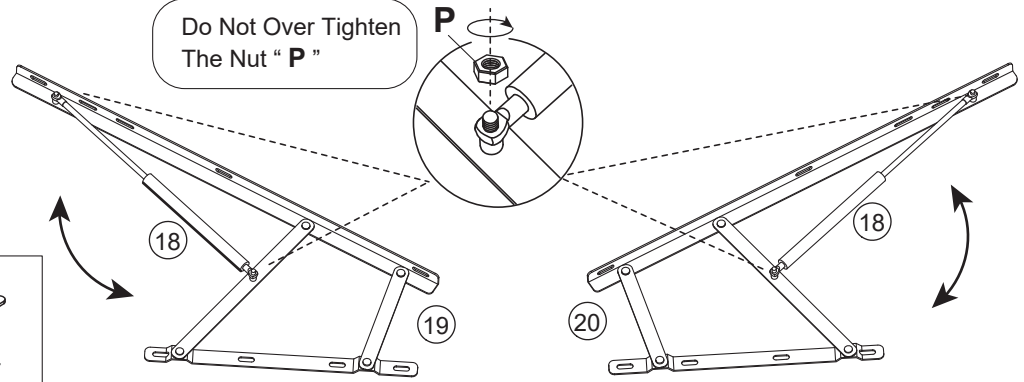
E x6
T-Nut

Step 07



H x6
Stud
M6x60mm

Step 08

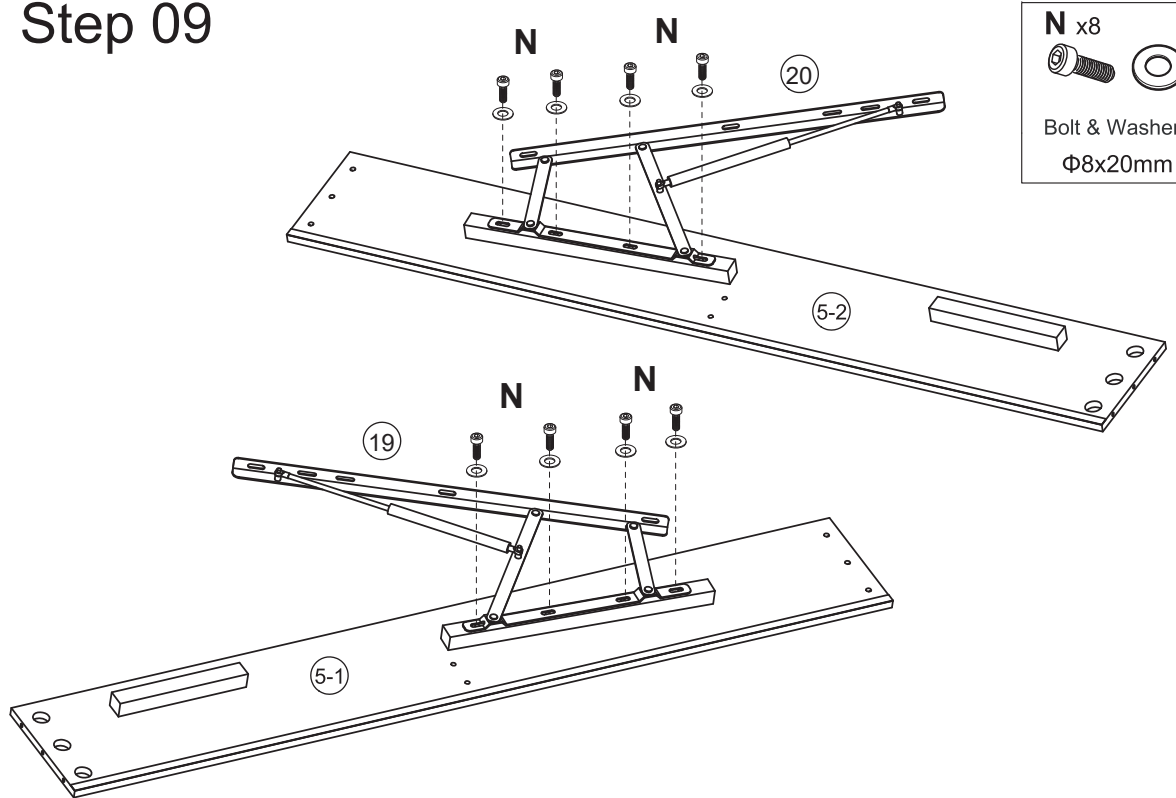


Do Not Over Tighten
The Nut "P"

P x4
Nut
M8


Q x1
Spanner
M10


Step 09

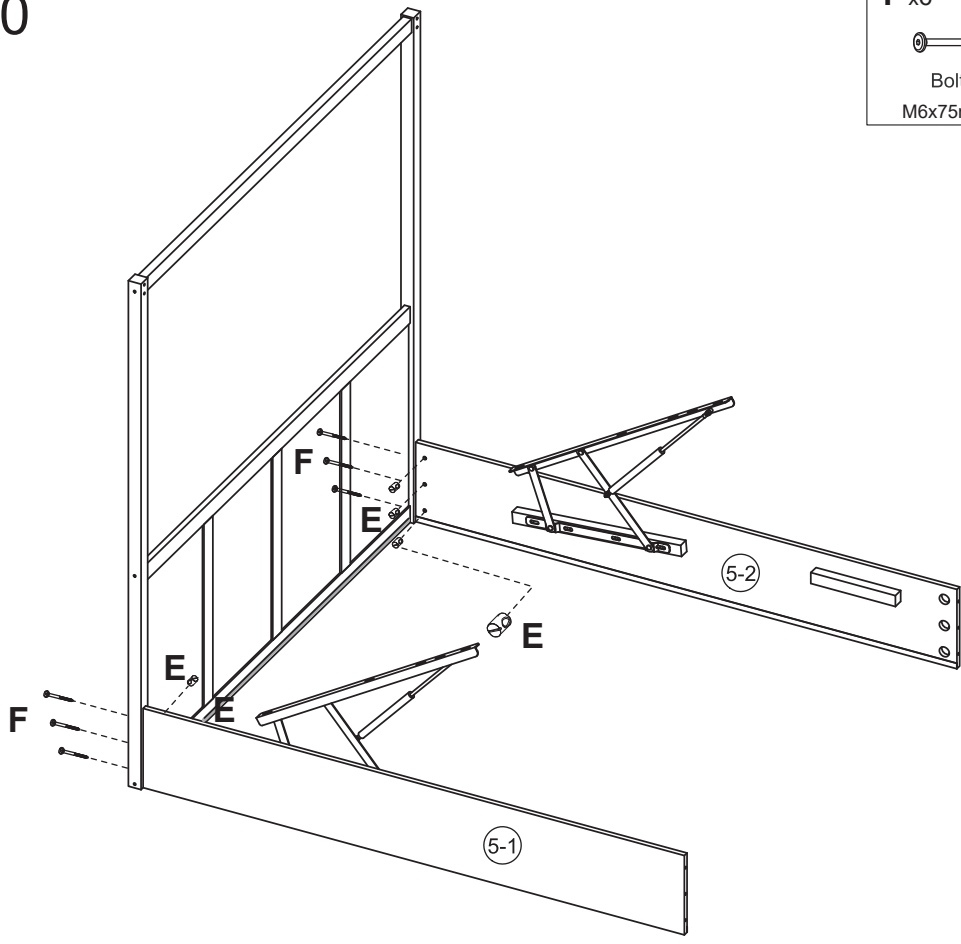


N x8
Bolt & Washer
Φ8x20mm

Step 10

F x6

Bolt
M6x75mm


E x6

T-Nut




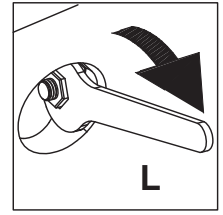
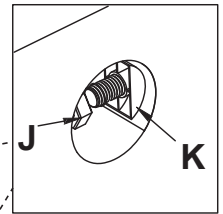
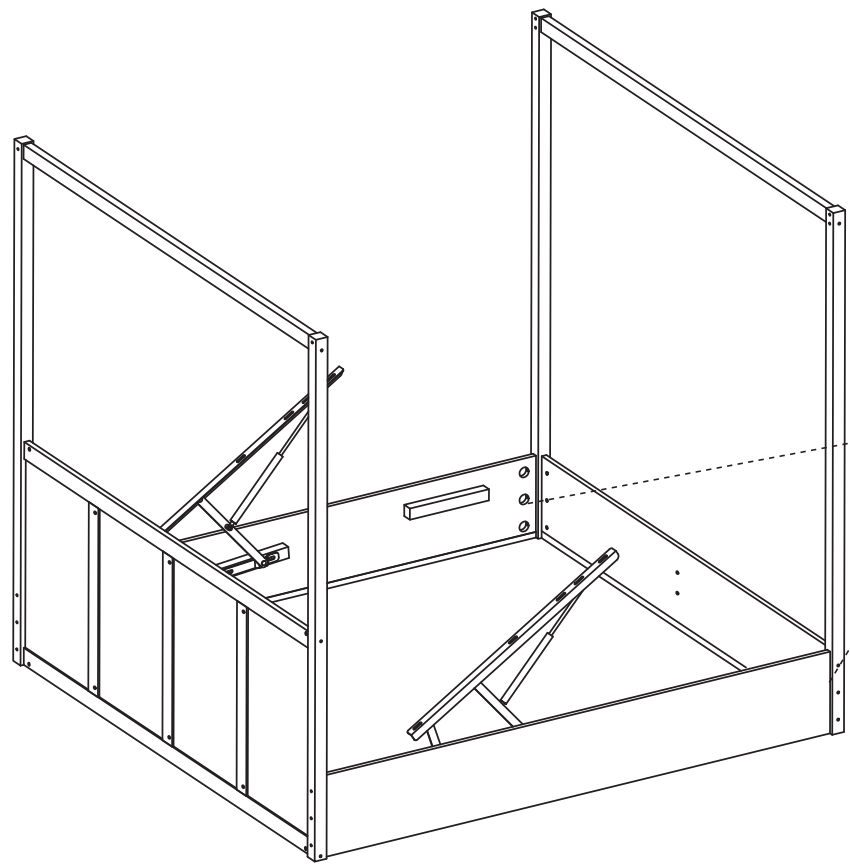
Step 11

K x6

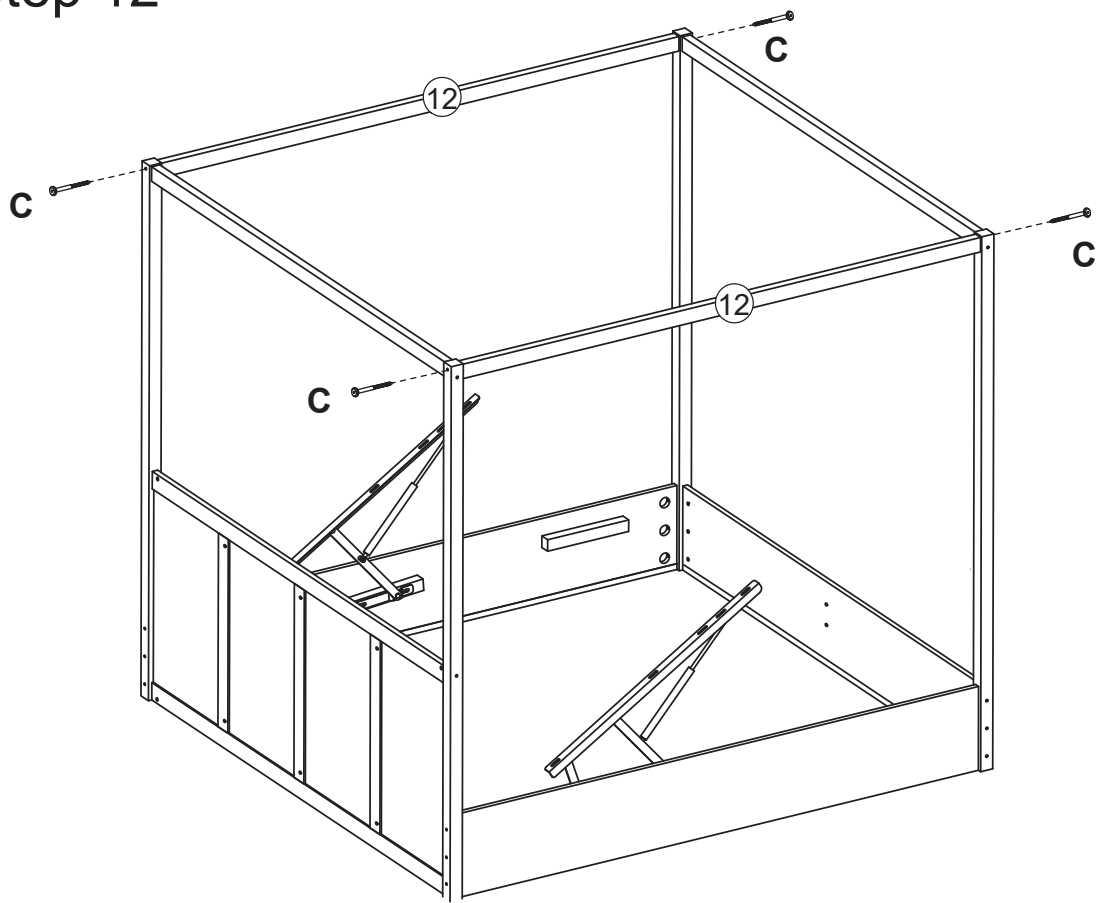
Half Moon Washer


L x1

Spanner
M6

J x6

Nut
M6

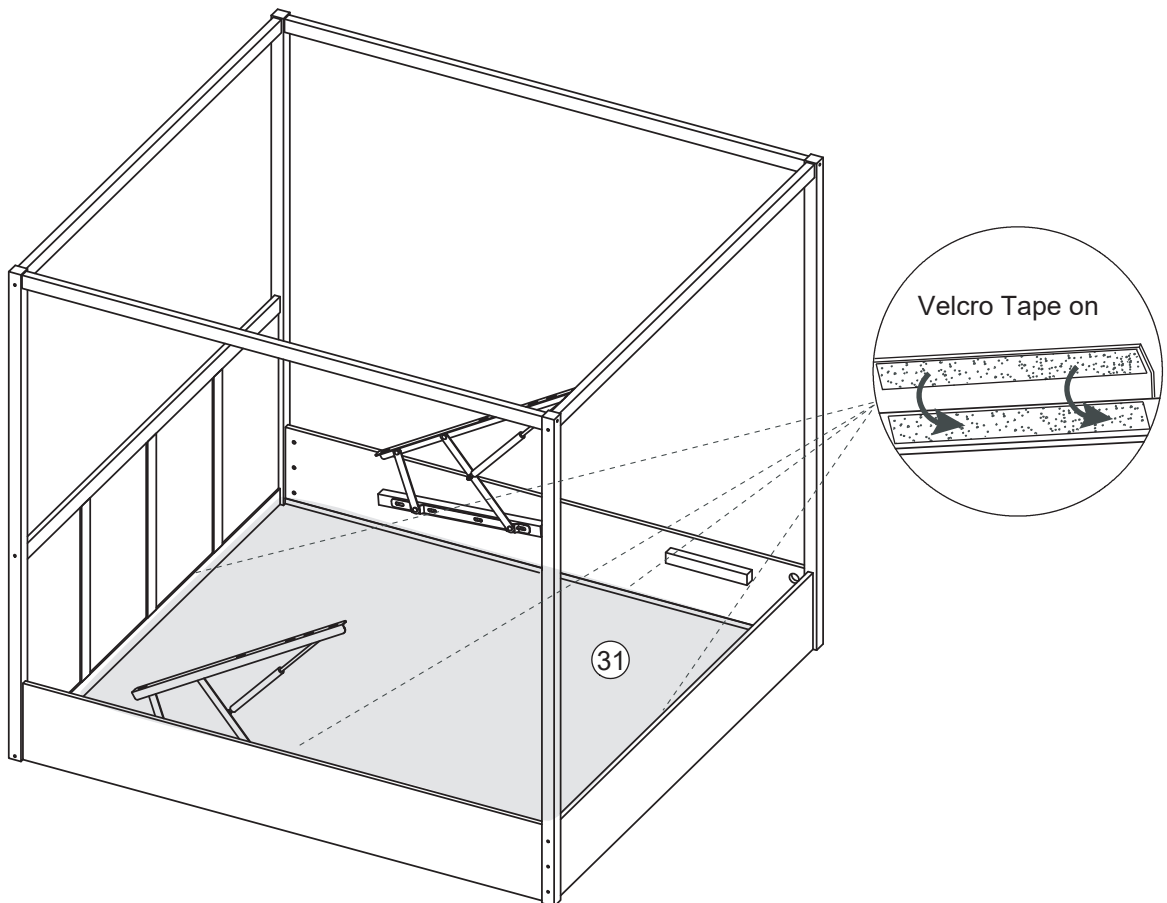


Step 12



C x4

Bolt
Φ6x70mm

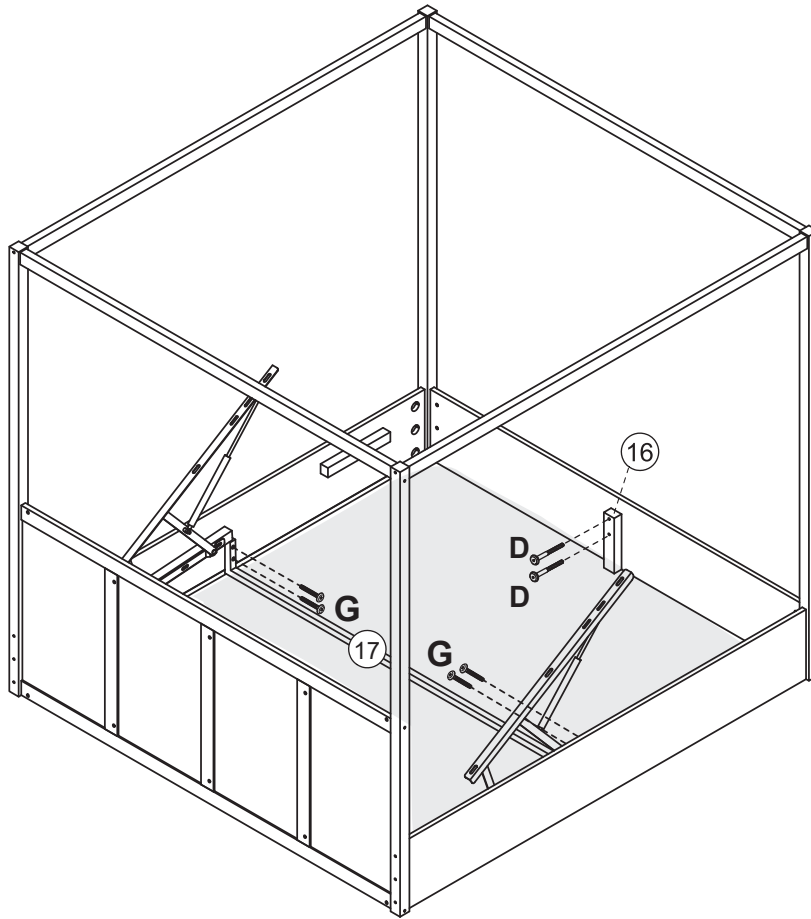
Step 13



Step 14

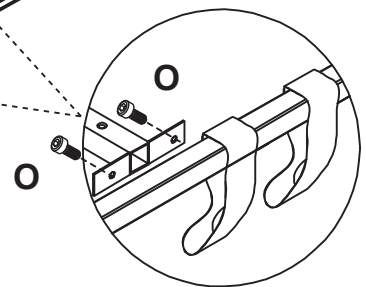
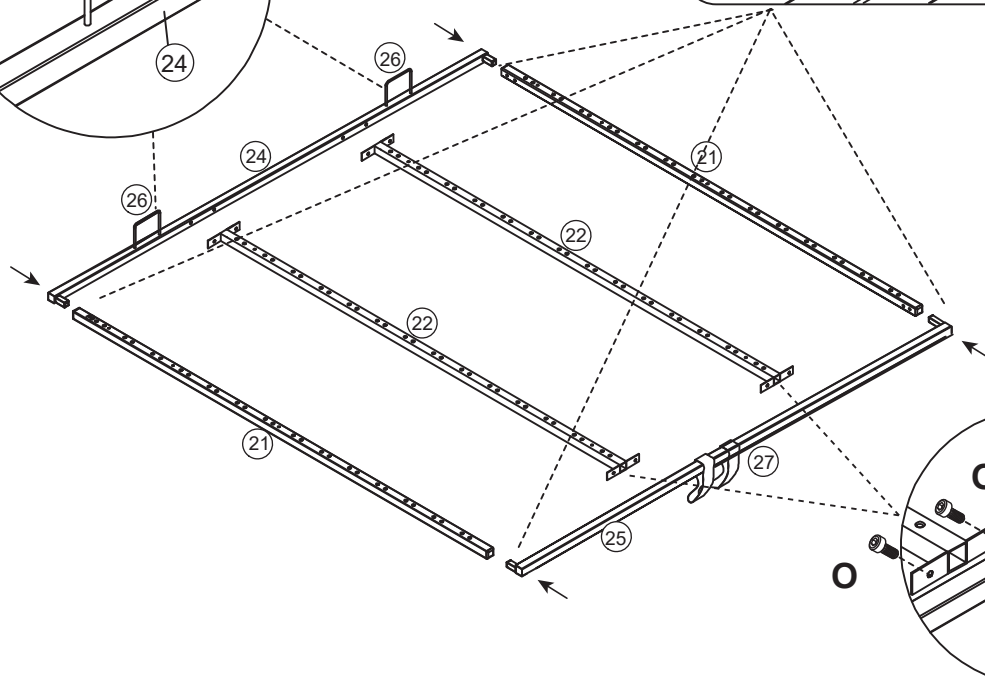
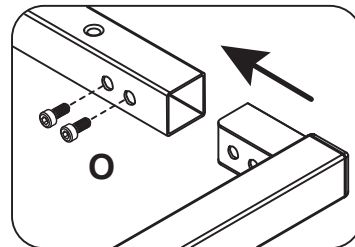
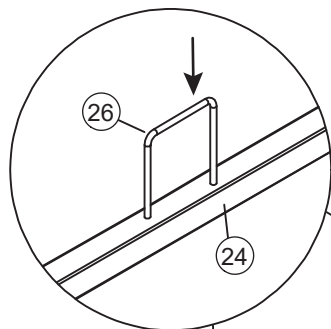
G x4
Bolt
M6x35mm

D x2
Bolt
M6x65mm

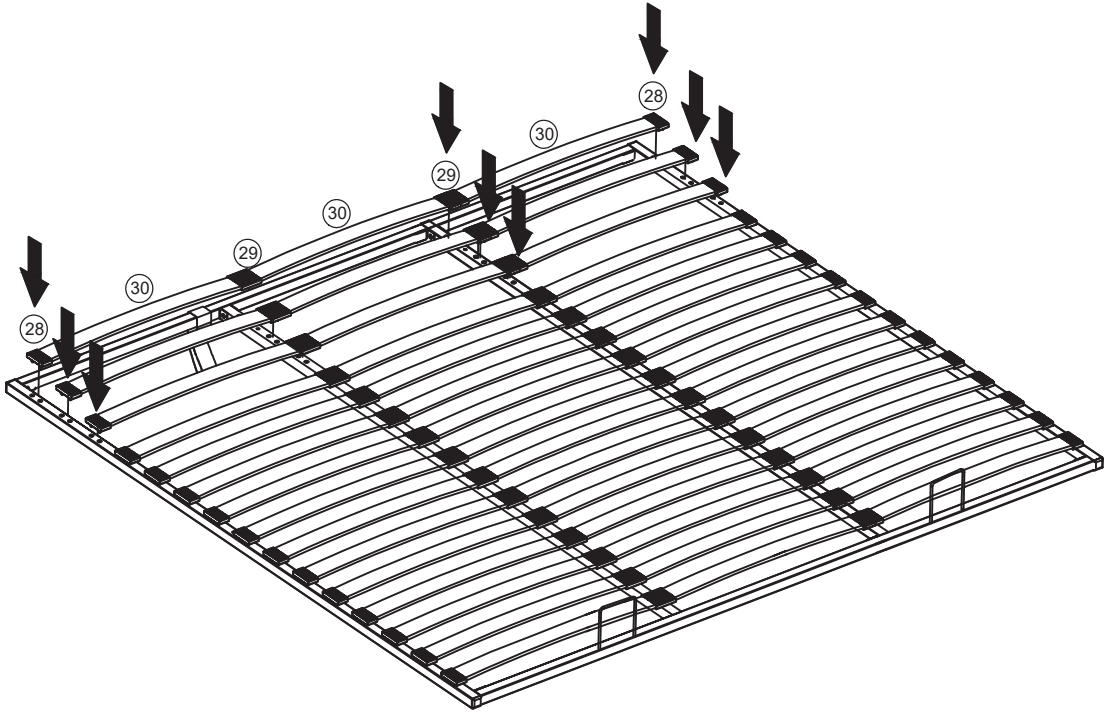
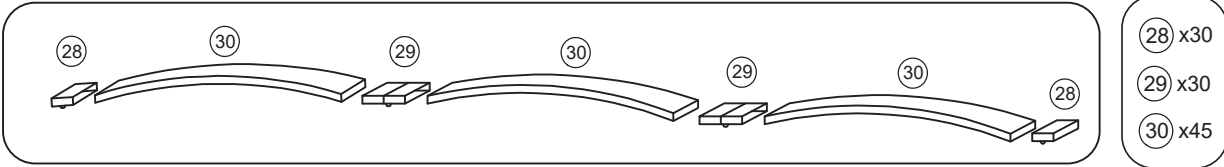


Step 15

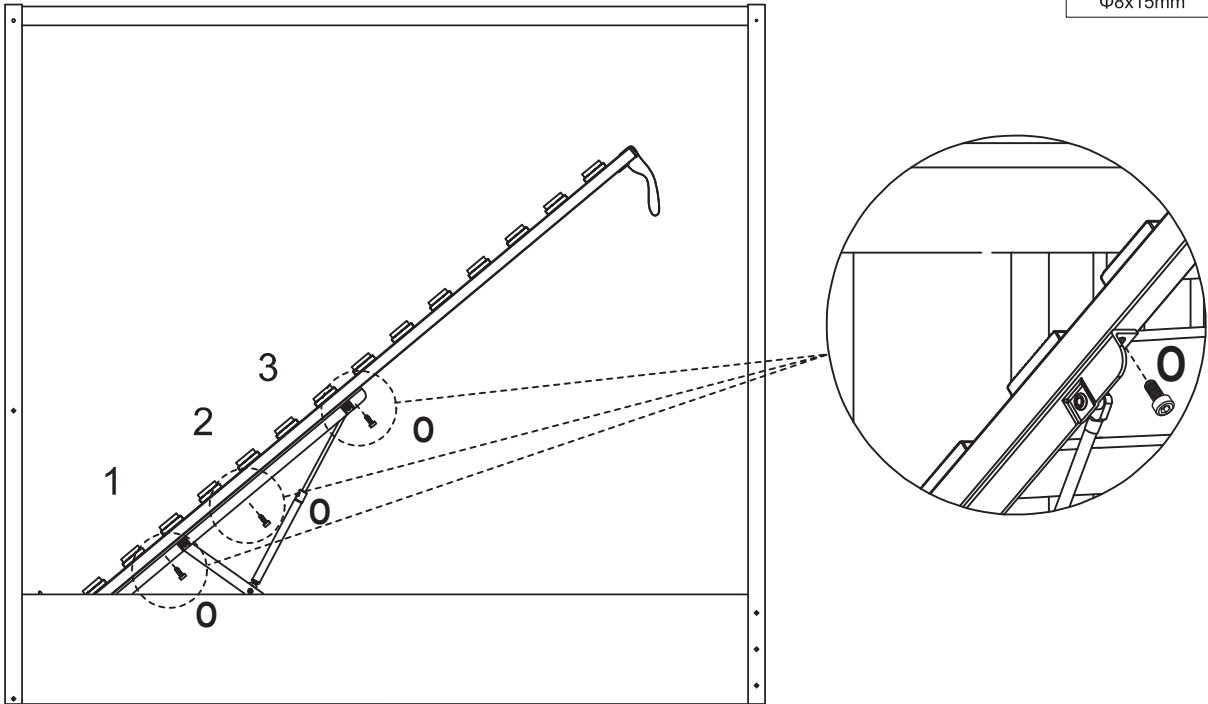
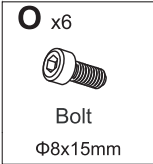
O x16
Bolt
φ8x15mm



Step 16

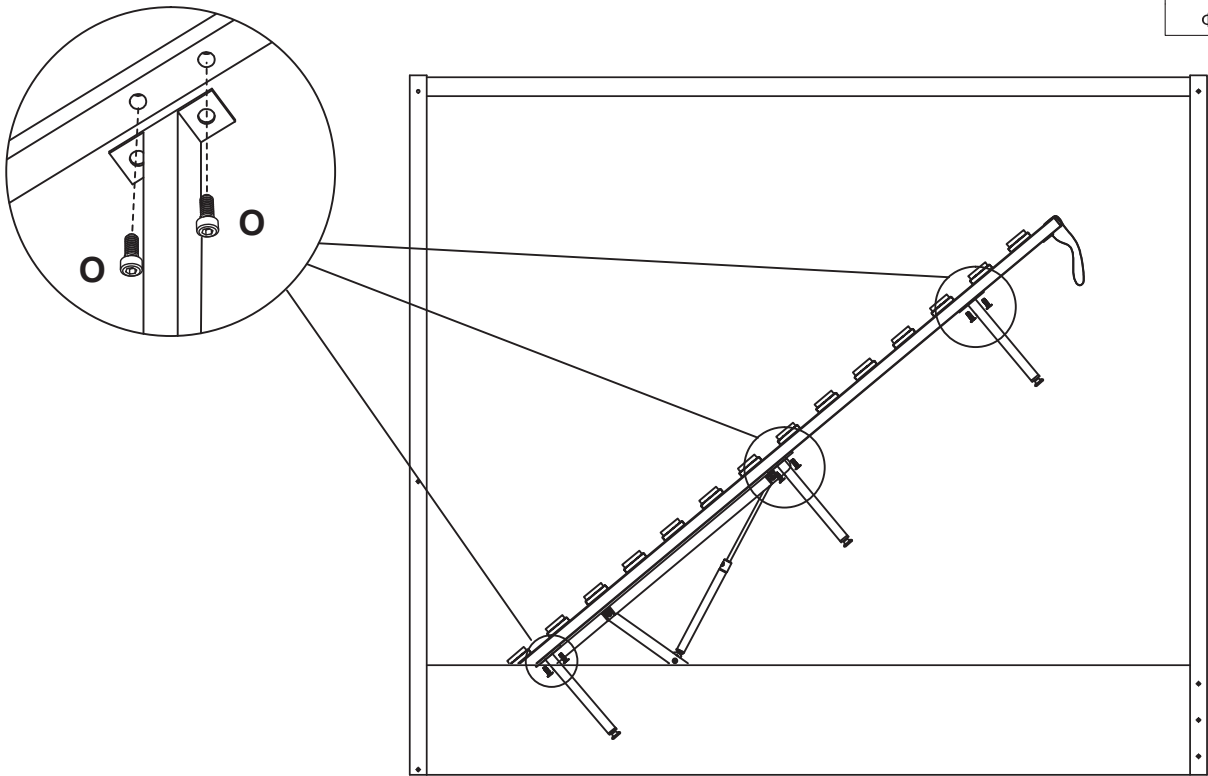


Step 17



Step 18

○ x12
Bolt
Φ8x15mm



Step 19

Assembly Complete

