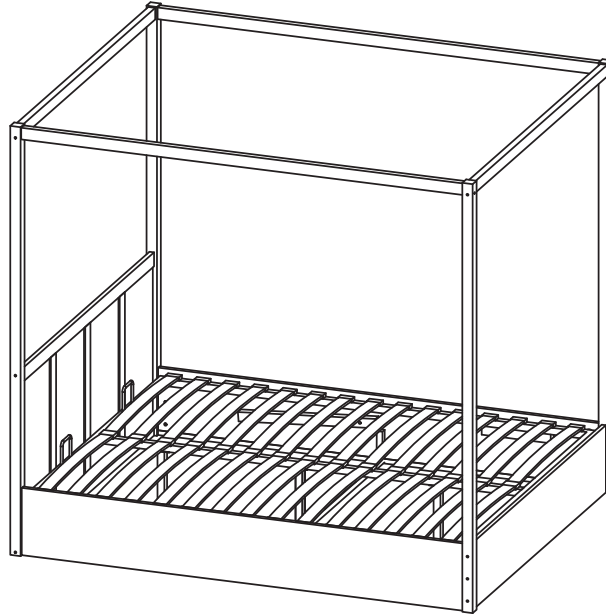
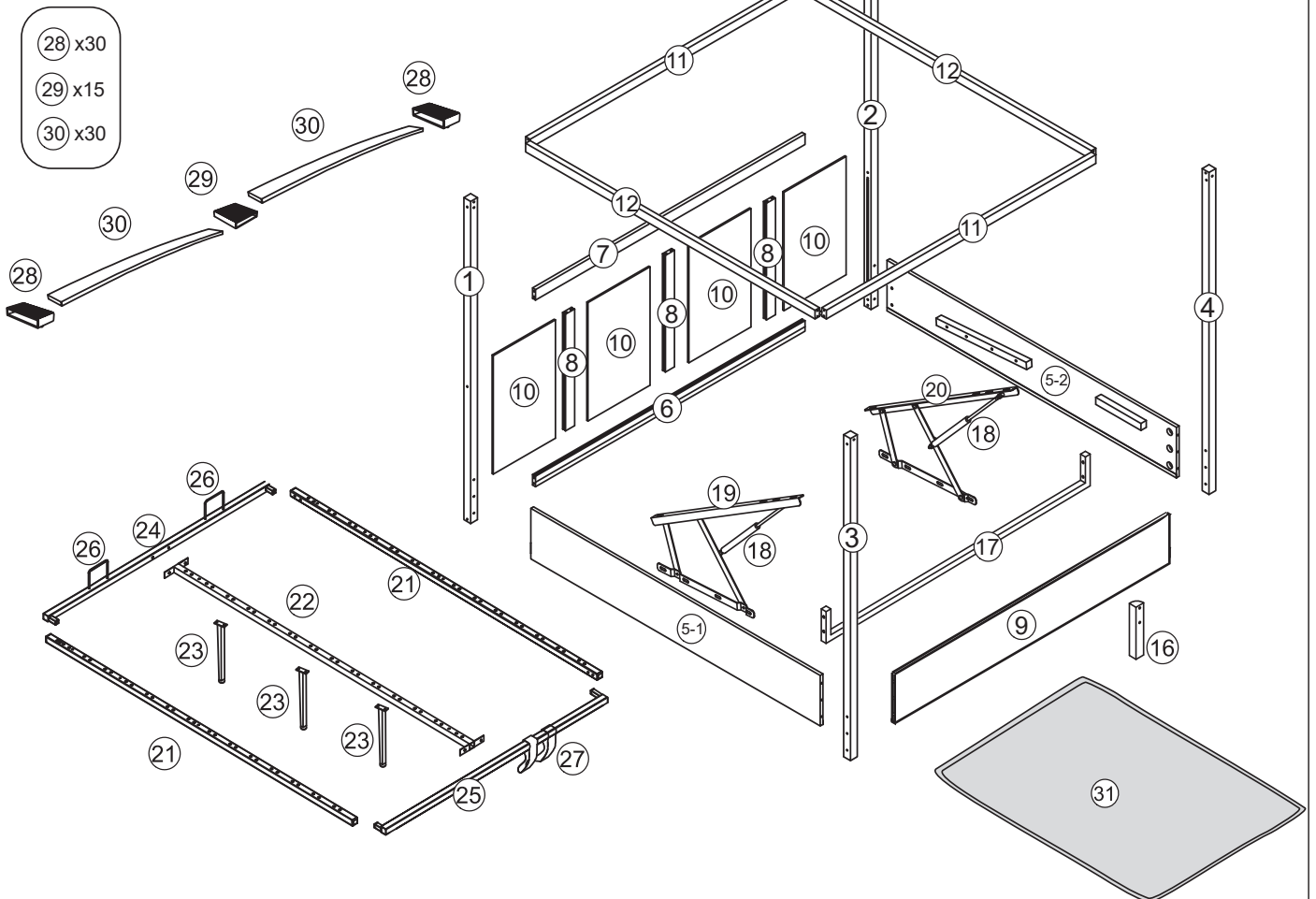


# ISAAK OTTOMAN WOODEN WITH POST - DOUBLE & QUEEN SIZE ASSEMBLY INSTRUCTIONS

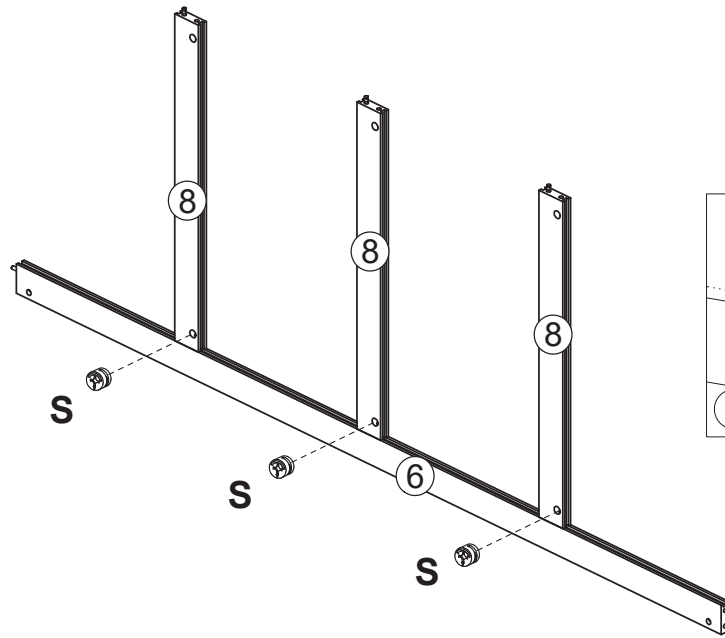


## COMPONENTS

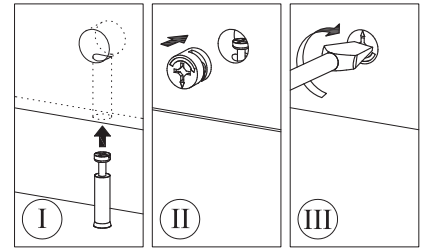




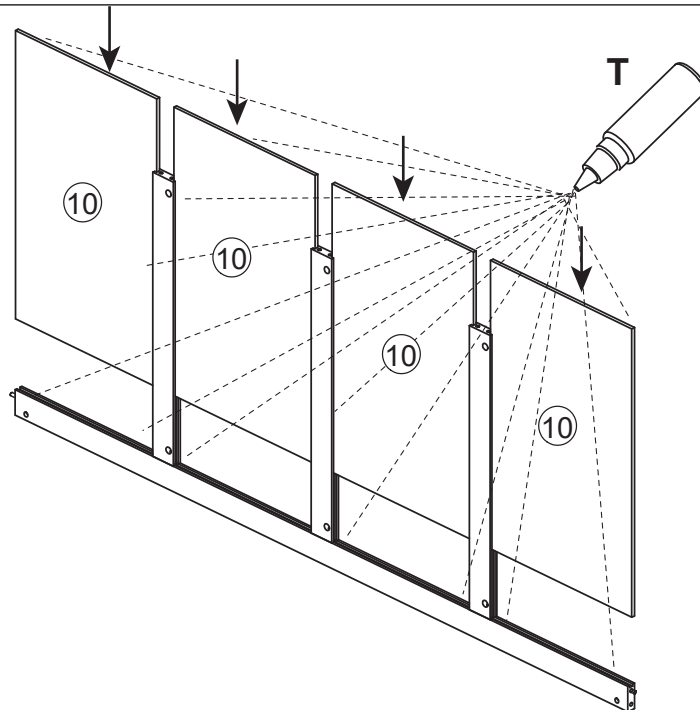
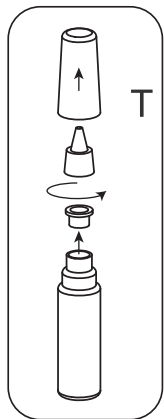
## Step 02



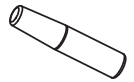
S x3



## Step 03

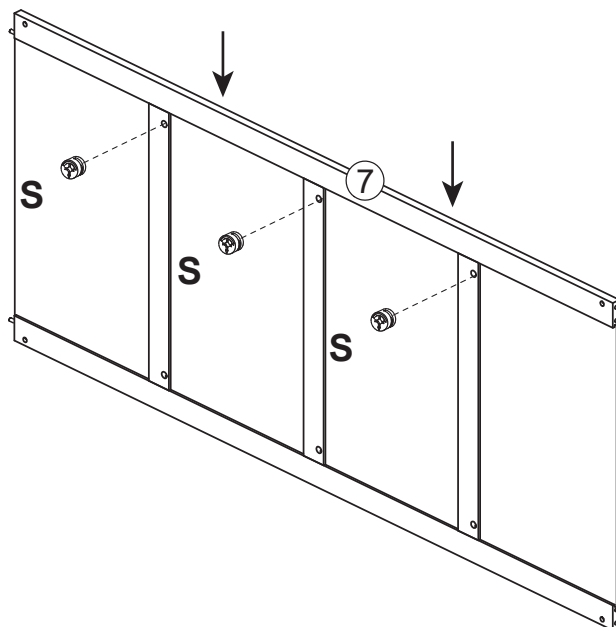


T x1

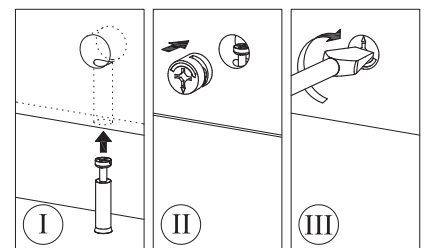


Wood Glue

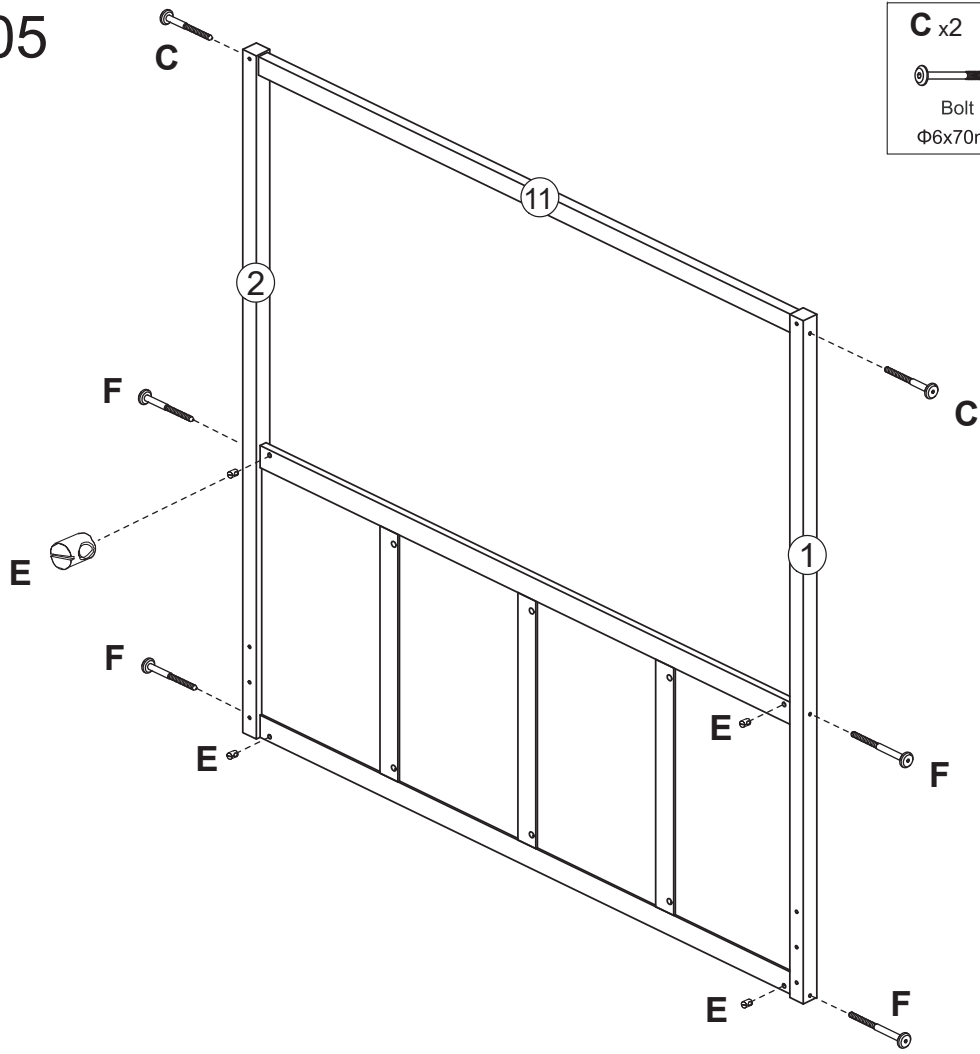
## Step 04



S x3



# Step 05

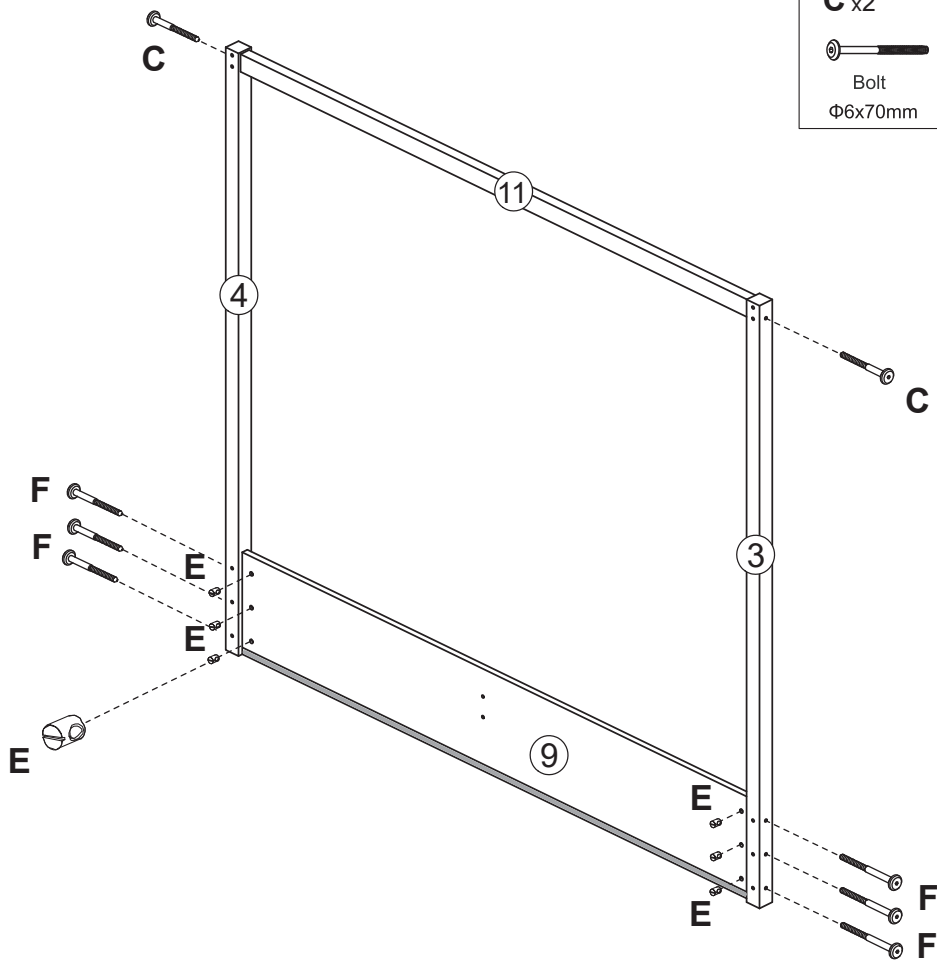


**C x2**  
Bolt  
Φ6x70mm

**F x4**  
Bolt  
M6x75mm

**E x4**  
T-Nut

# Step 06

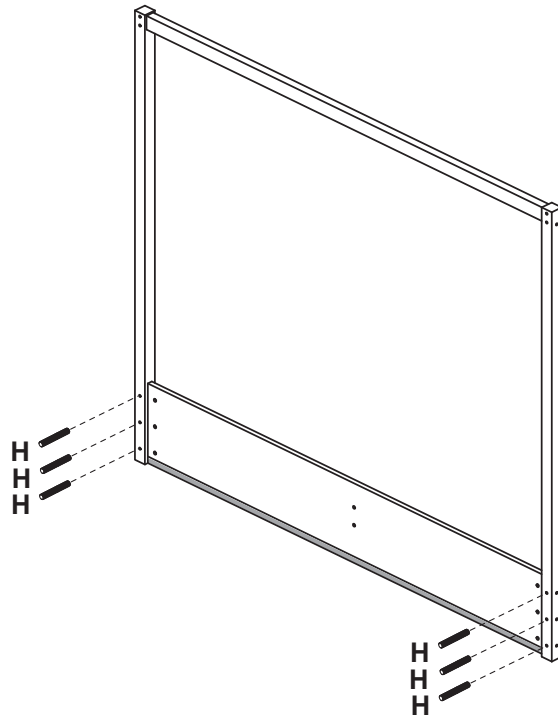


**C x2**  
Bolt  
Φ6x70mm

**F x6**  
Bolt  
M6x75mm

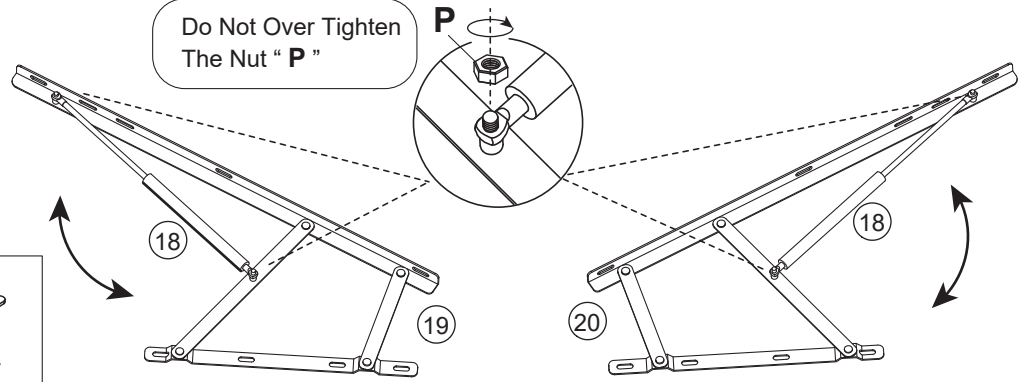
**E x6**  
T-Nut

# Step 07



**H** x6  
Stud  
M6x60mm

# Step 08

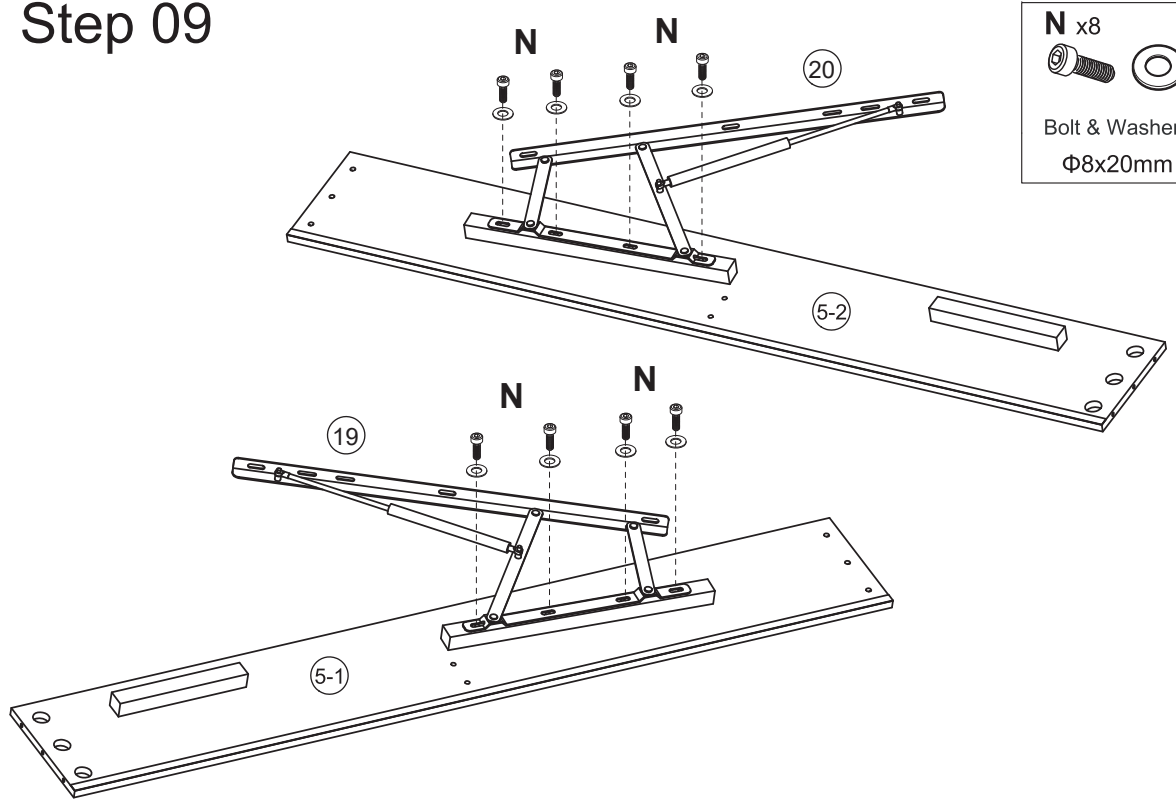


Do Not Over Tighten  
The Nut "P"

**P** x4  
Nut  
M8

**Q** x1  
Spanner  
M10

# Step 09

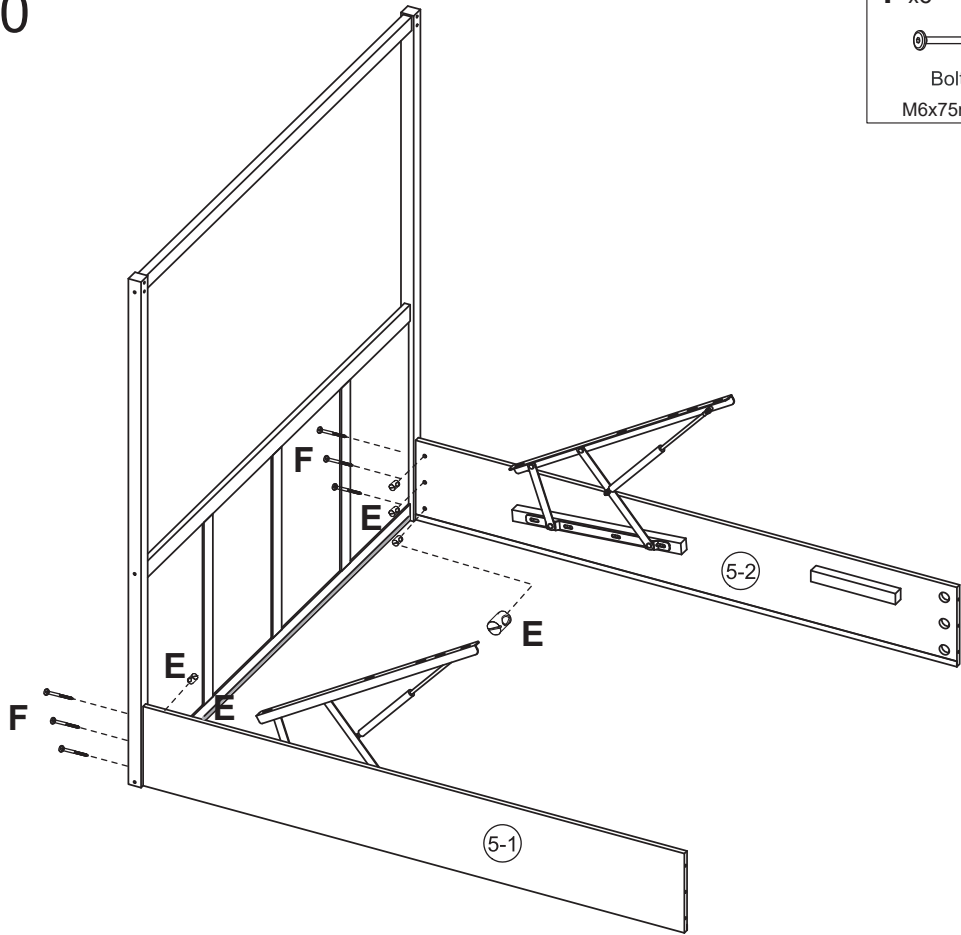


**N** x8  
Bolt & Washer  
Φ8x20mm

# Step 10

**F** x6  
Bolt  
M6x75mm

**E** x6  
T-Nut

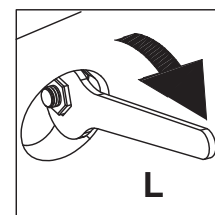
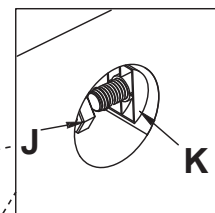
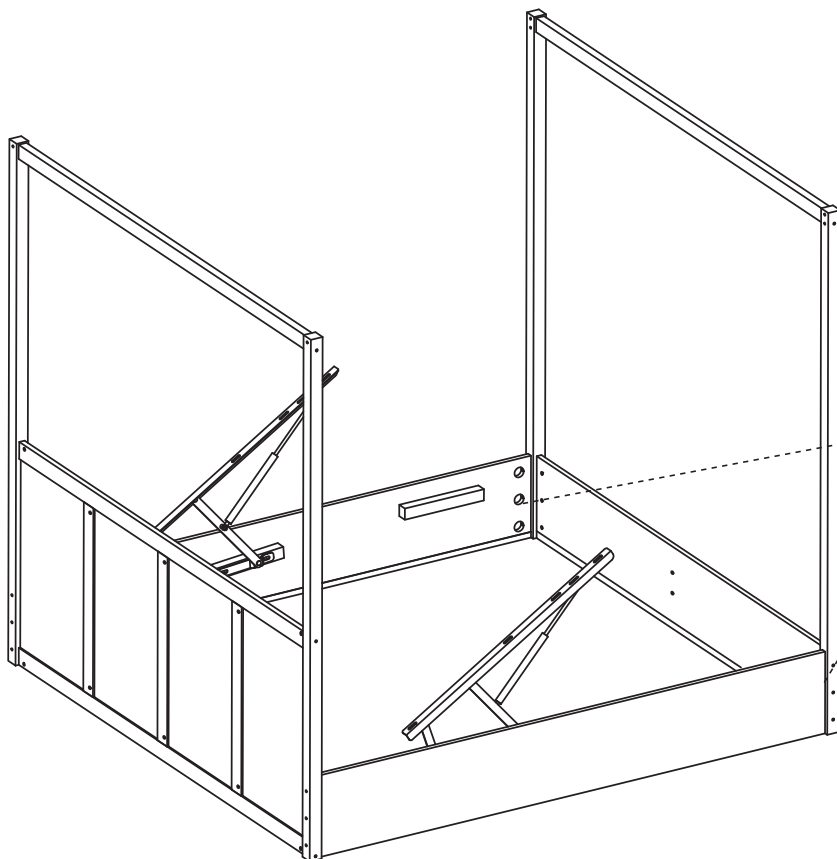


# Step 11

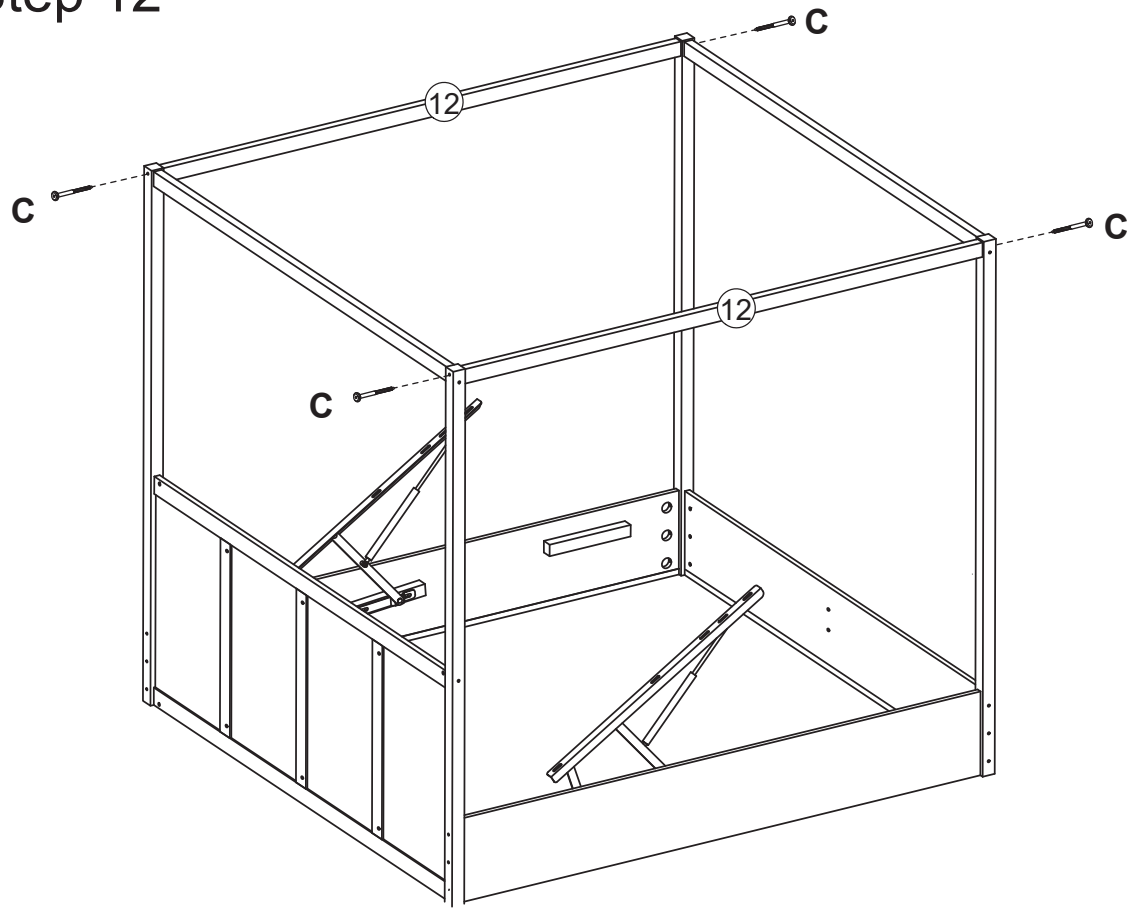
**K** x6  
Half Moon  
Washer


**L** x1  
Spanner  
M6

**J** x6  
Nut  
M6

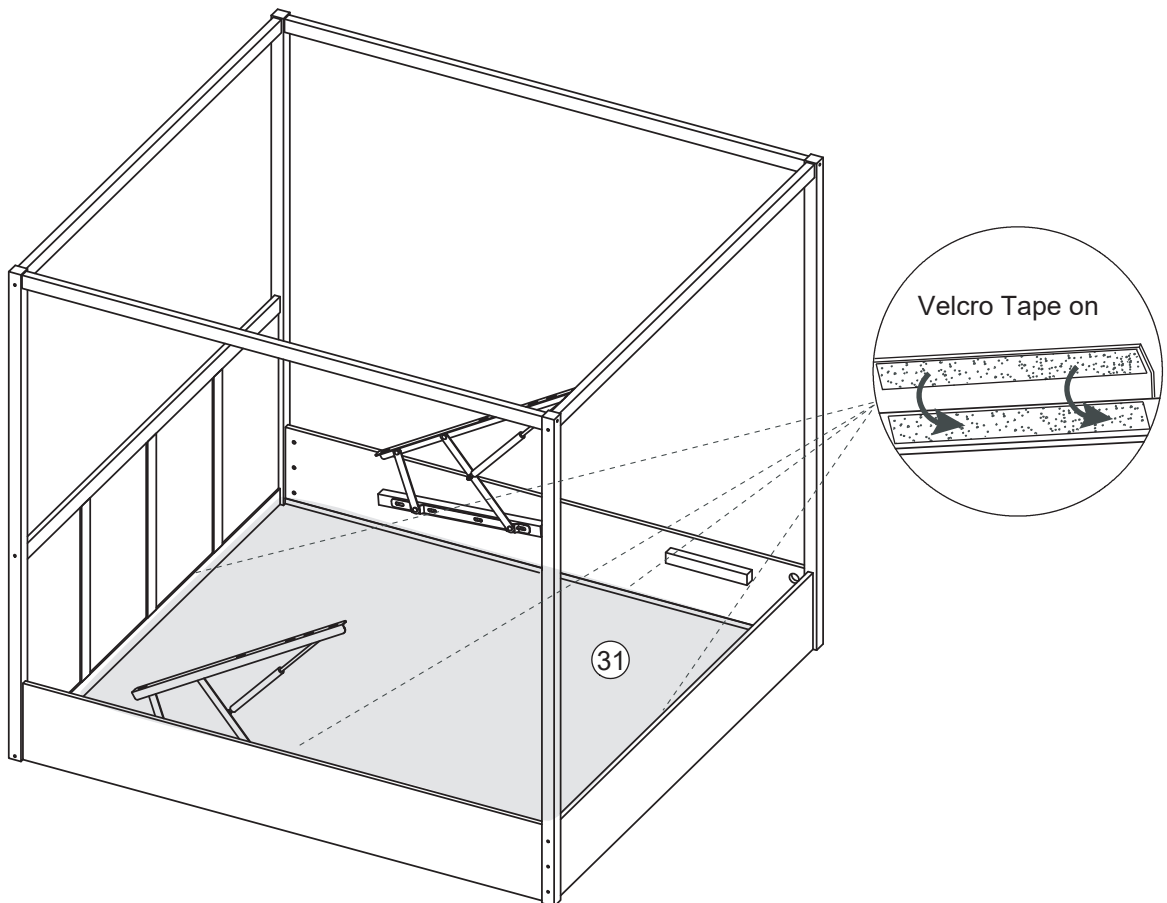


# Step 12



**C x4**  
  
Bolt  
Φ6x70mm

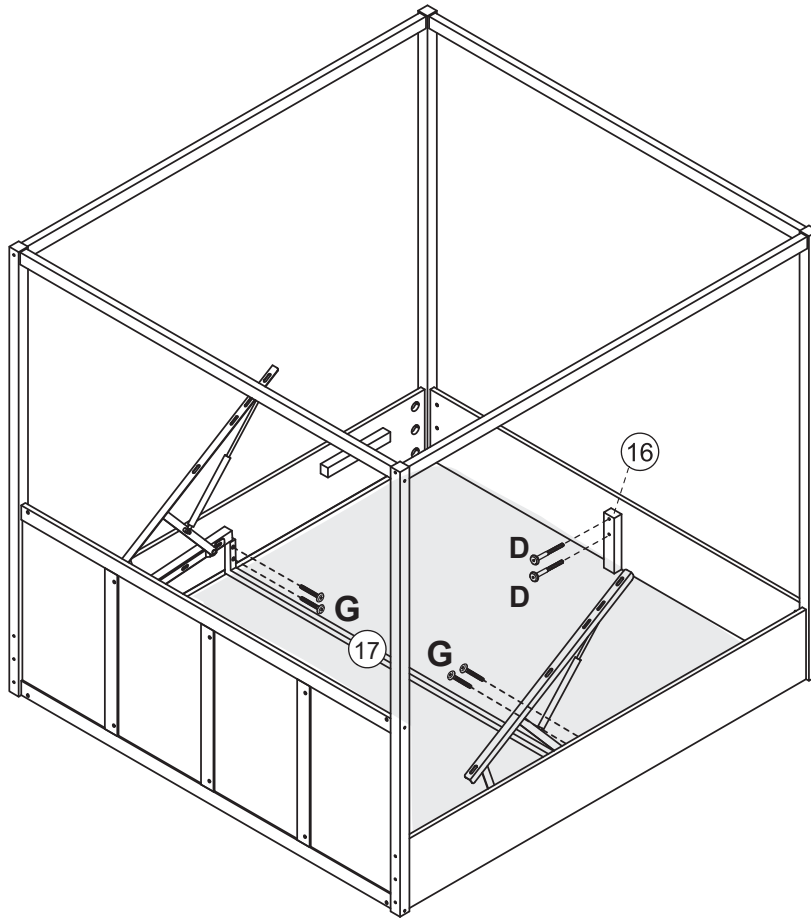
# Step 13



# Step 14

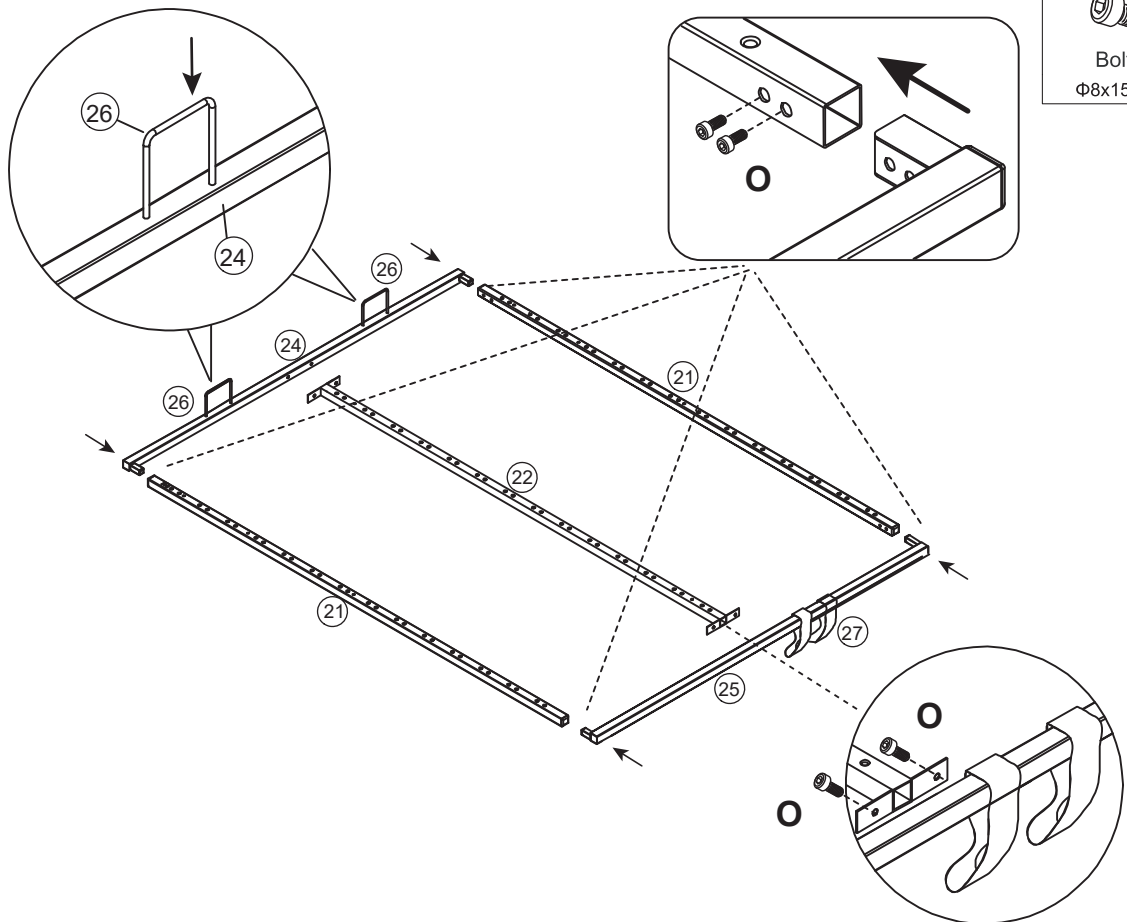
**G** x4  
Bolt  
M6x35mm

**D** x2  
Bolt  
M6x65mm

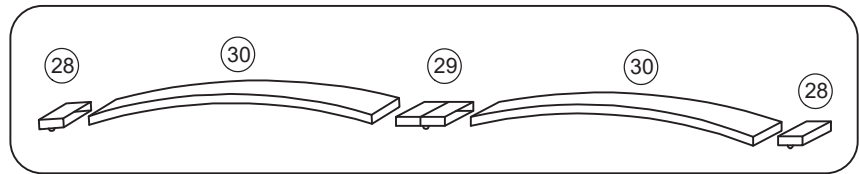


# Step 15

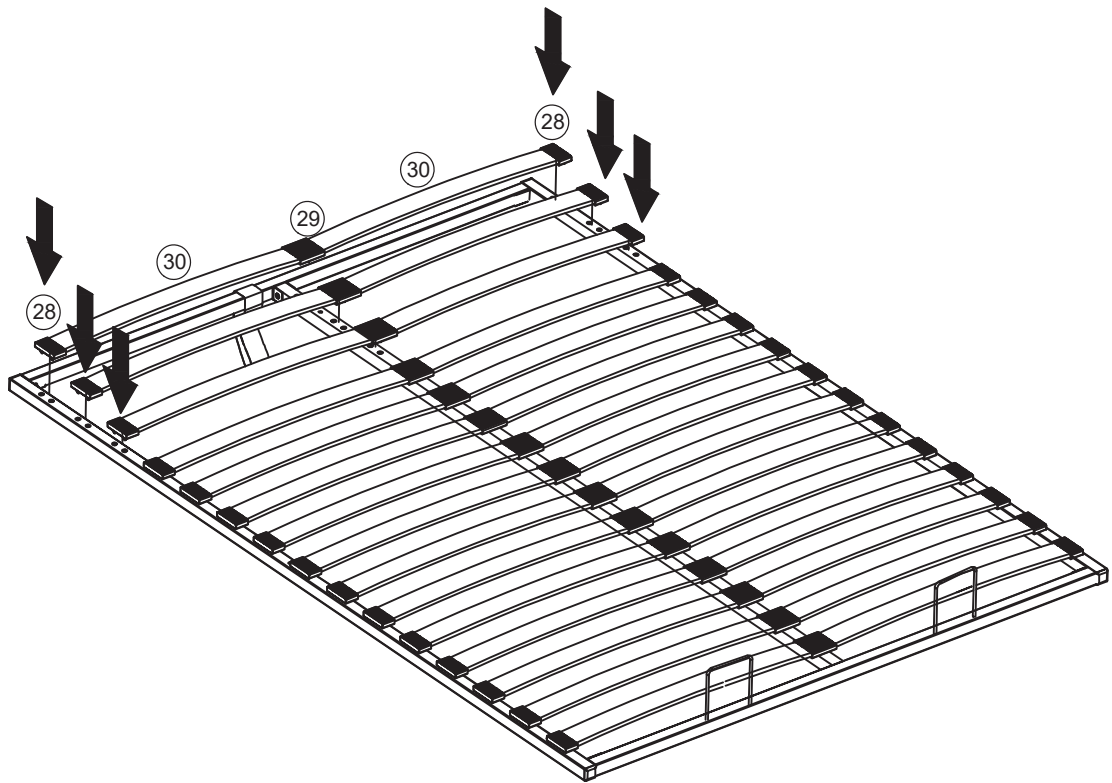
**O** x12  
Bolt  
Φ8x15mm




# Step 16

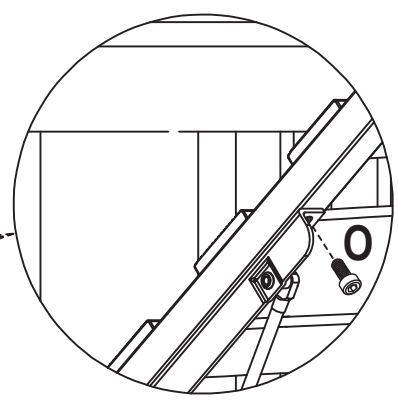
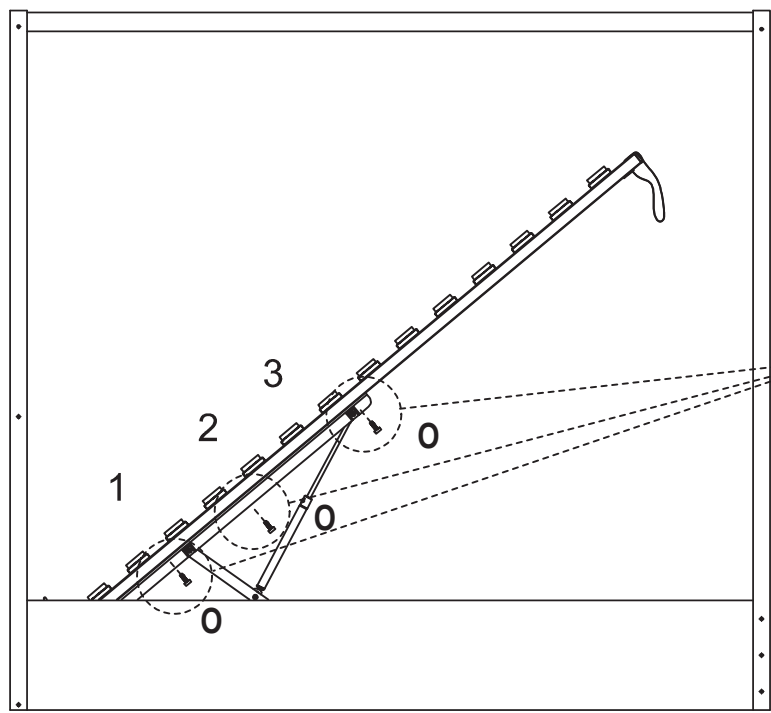


- (28) x30
- (29) x15
- (30) x30




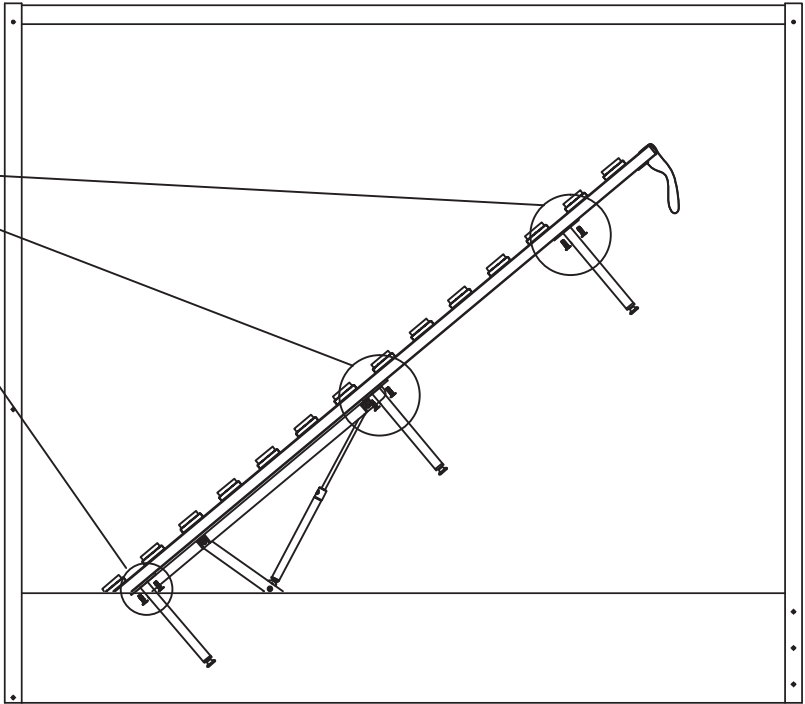
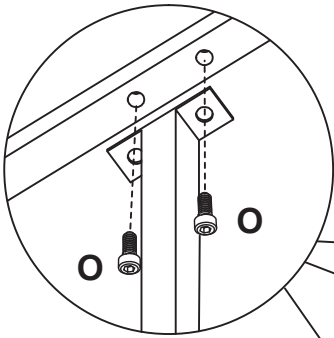
# Step 17

- x6
- 
- Bolt
- Φ8x15mm



# Step 18

○ x6  
  
Bolt  
Φ8x15mm



# Step 19

Assembly Complete

