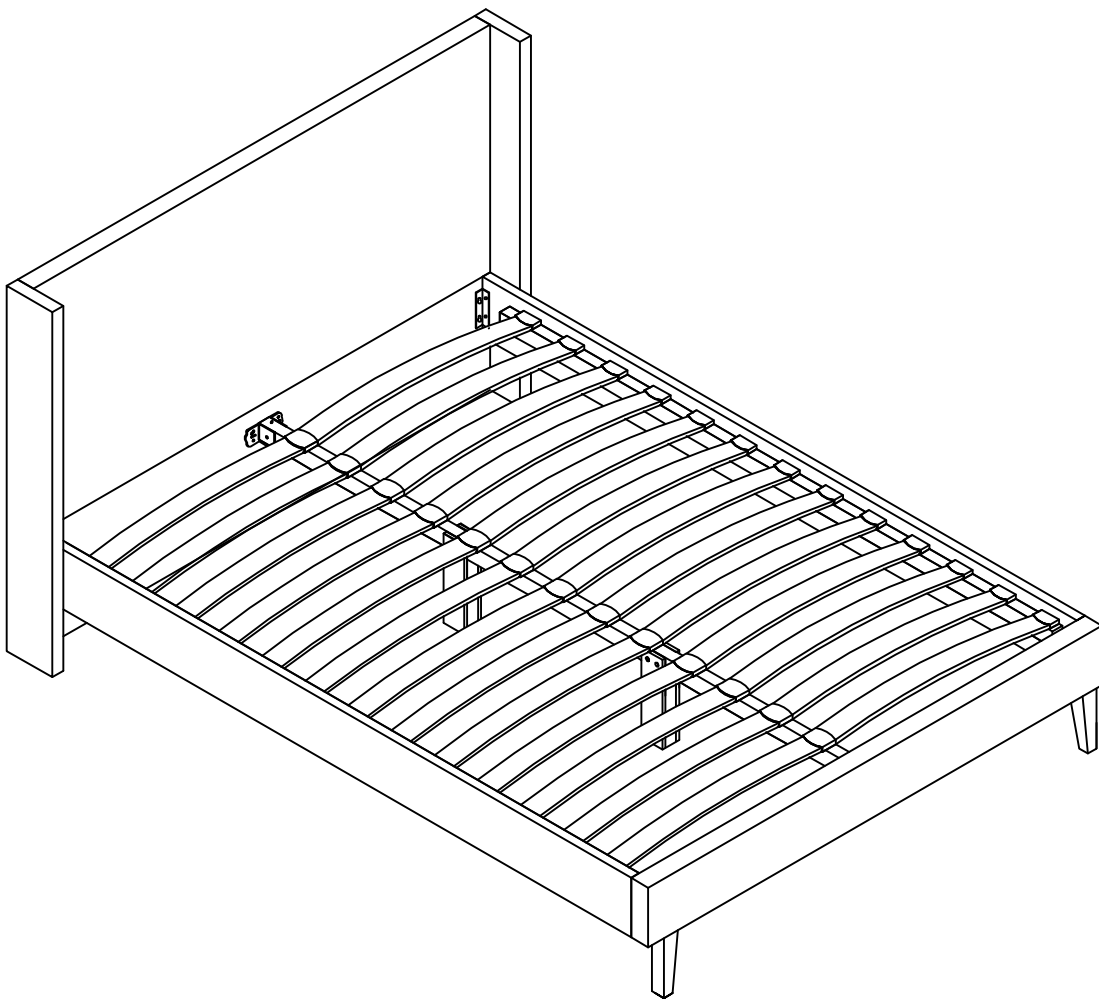
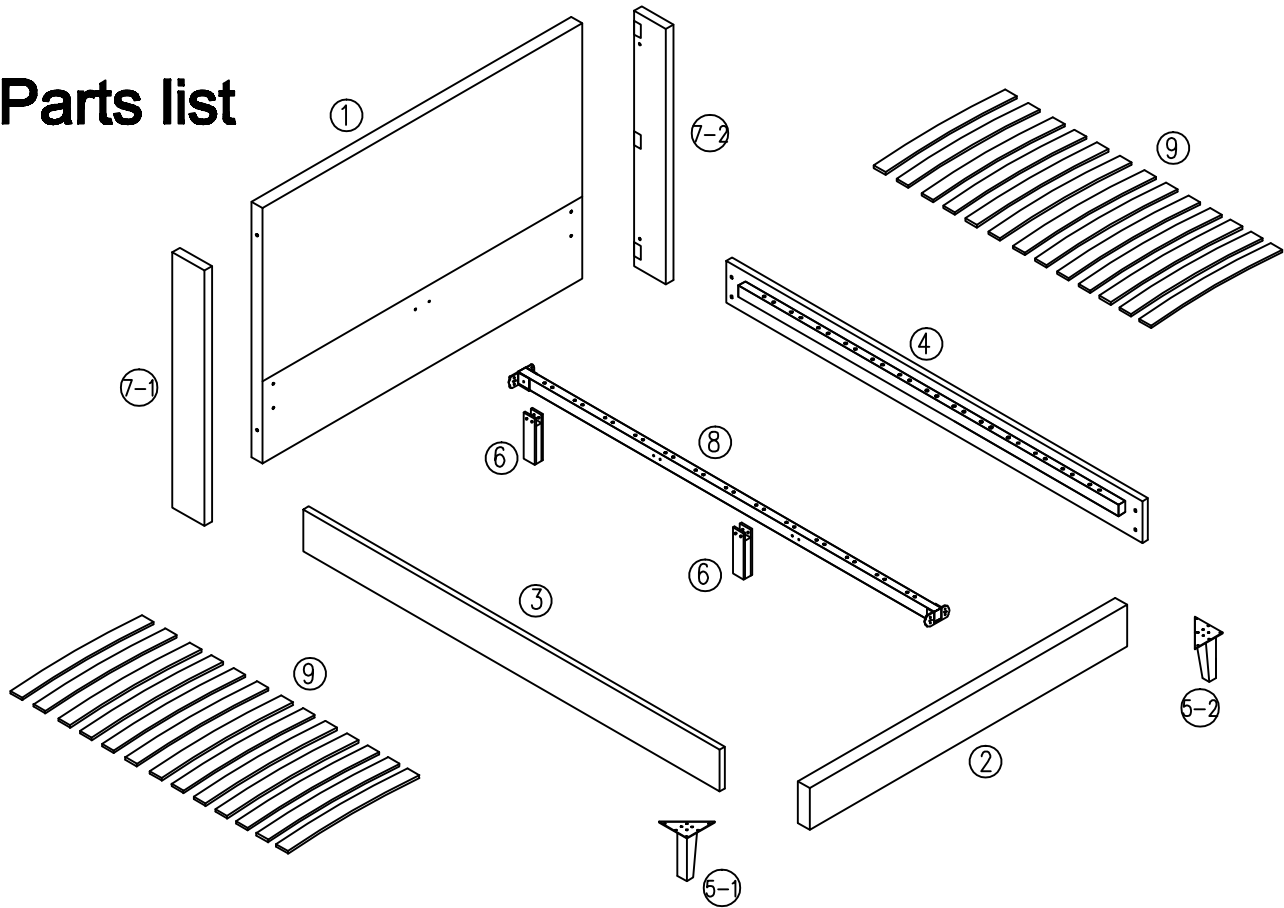


# ASSEMBLY INSTRUCTIONS



**QUINTON BED IS FOR DOMESTIC USE  
AND STRICTLY NOT FOR CONTRACT USE.**

## Parts list





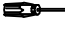

## Hardware list

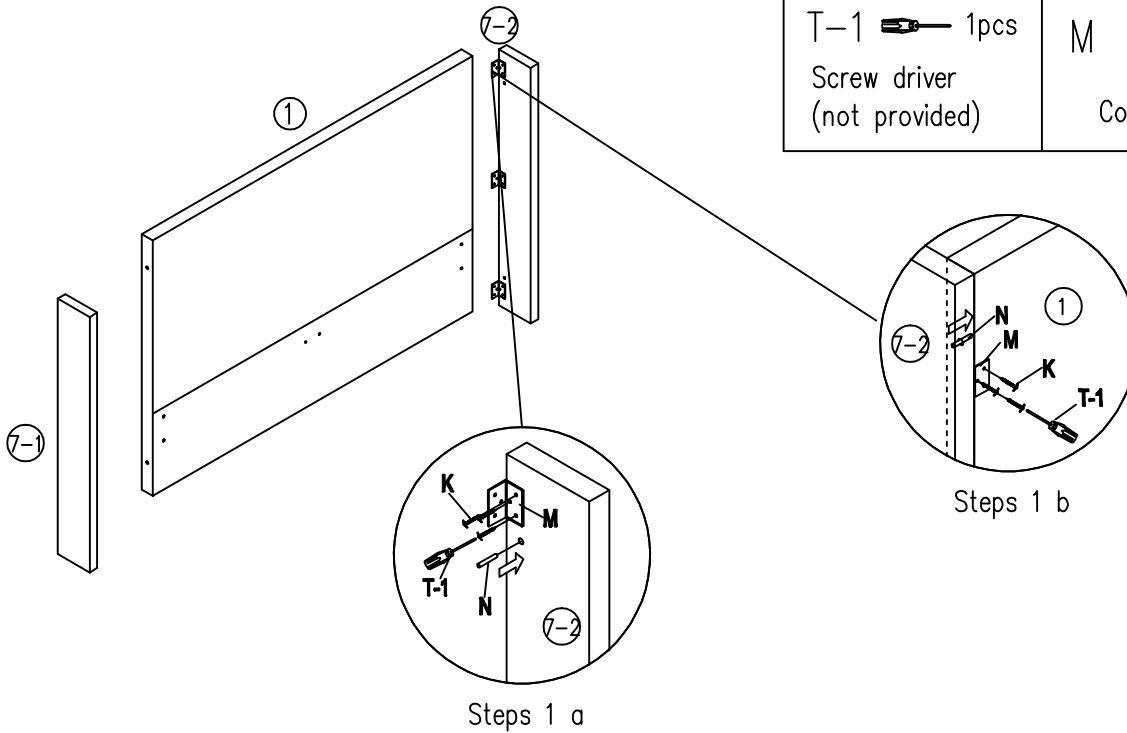
Label	Picture	Description	Qty	Label	Picture	Description	Qty
A		Single Plastic CAP	26	G		NUT	4
B		Double Plastic CAP	13	H		Bolt M8x65	4
C		Metal Frame "U"	2	I		Bolt M6x20	4
D		Bolt M8x25	16	J		Screw 3.5x15	4
E		Spring Washer	12	K		Screw 4x35	46
F		Washer M8	12	L		Connection Plate Left	2
R		Connection Plate Right	2	M		Connection	6
N		Wood Dowel	4				

## TOOL list






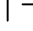


Label	Picture	Description	Qty
T-1		Screw driver(not provided)	1
T-2		Allen key M5	1
T-3		Allen key M4	1
T-4		<b>SPANNER</b>	1

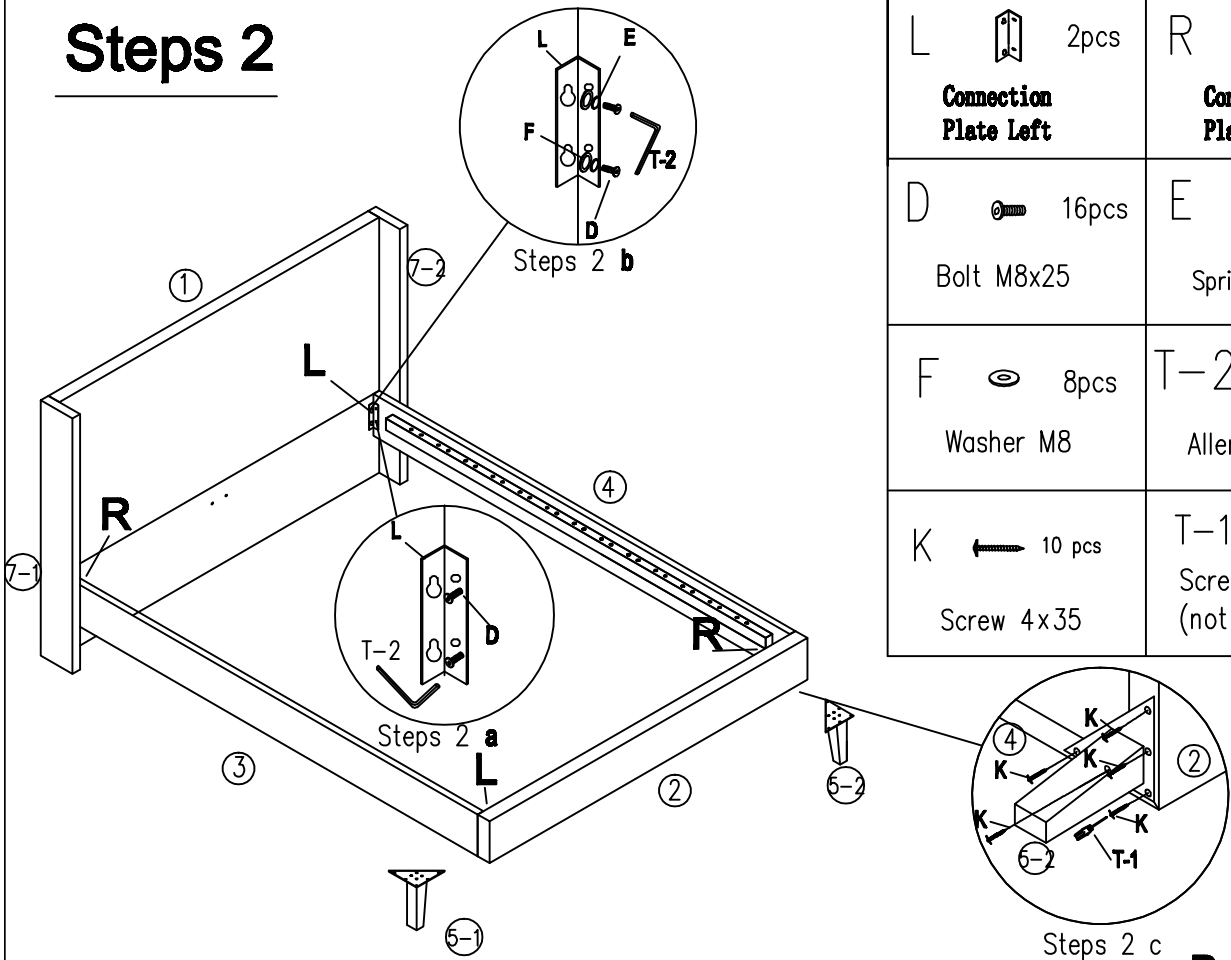
# Steps 1

K  36 pcs Screw 4x35	N  4 pcs Wood Dowel
T-1  1pcs Screw driver (not provided)	M  6 pcs Connection






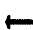






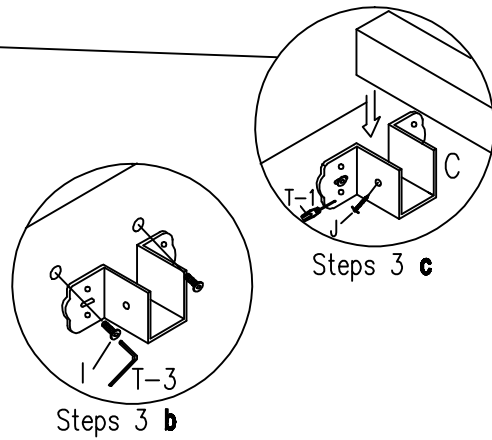
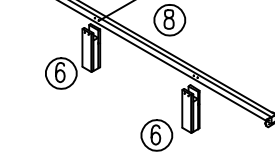
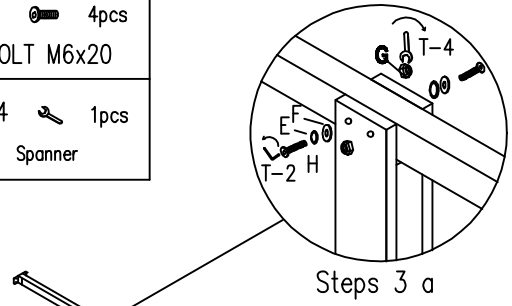
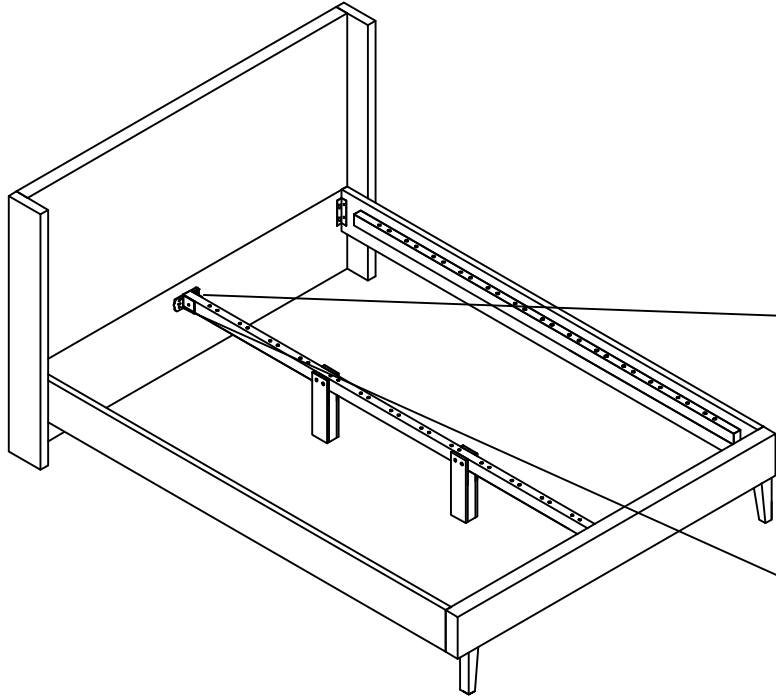
# Steps 2

L  2pcs <b>Connection Plate Left</b>	R  2pcs <b>Connection Plate Right</b>
D  16pcs Bolt M8x25	E  8pcs Spring Washer
F  8pcs Washer M8	T-2  1pcs Allen key 5#
K  10 pcs Screw 4x35	T-1  1pcs Screw driver (not provided)





# Steps 3

<b>E</b>  4pcs Spring Washer	<b>F</b>  4pcs Washer M8	<b>G</b>  4pcs NUT	<b>H</b>  4pcs BOLT M8x65	<b>I</b>  4pcs BOLT M6x20
<b>J</b>  4pcs Screw 3.5x15	<b>C</b>  2pcs METAL FRAME "U"	<b>T-2</b>  1pcs Allen key 5#	<b>T-3</b>  1pcs Allen key 4#	<b>T-4</b>  1pcs Spanner



# Steps 4

<b>A</b>  26pcs Single Plastic CAP	<b>B</b>  13pcs Double Plastic CAP
--	--

