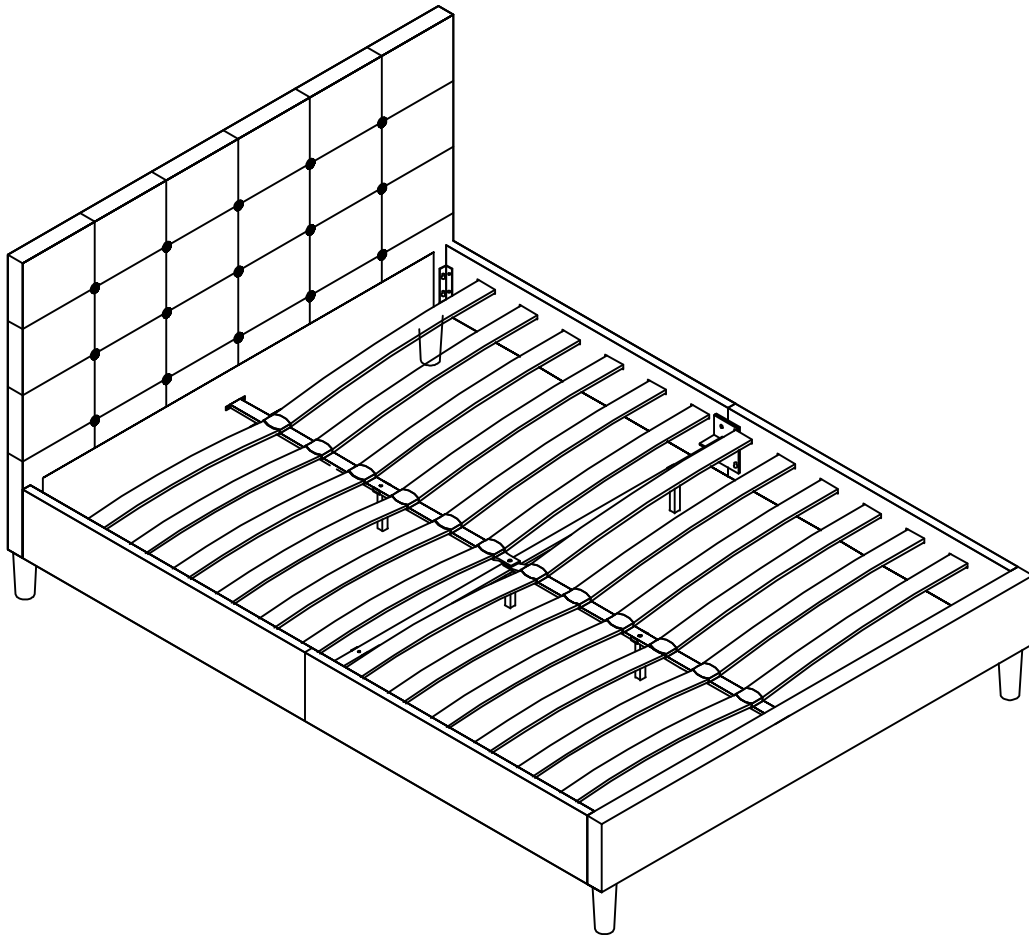
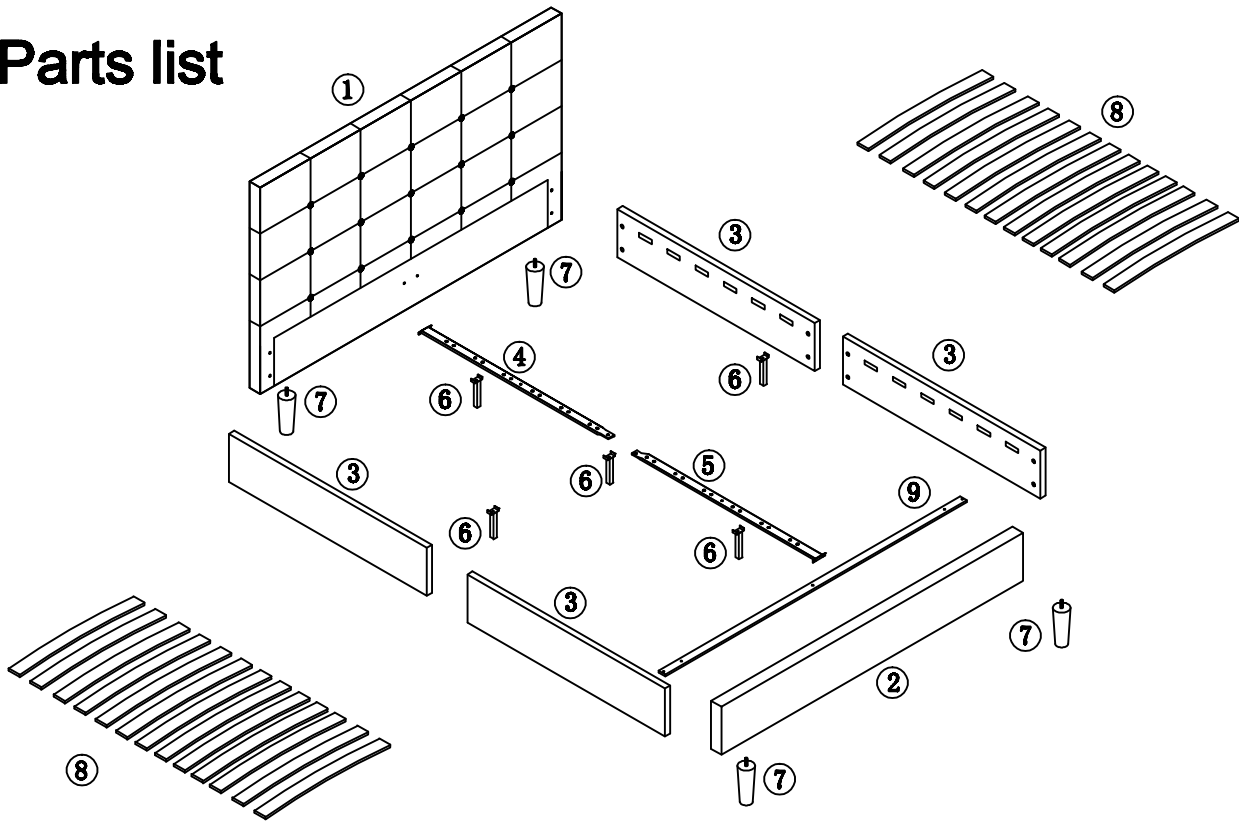


**ALEXIS BED IN A BOX
(HIGH LEGS & WITH / WITHOUT BUTTONS)
ASSEMBLY INSTRUCTIONS**



**ALEXIS BED IS FOR DOMESTIC USE
AND STRICTLY NOT FOR CONTRACT USE.**

Parts list



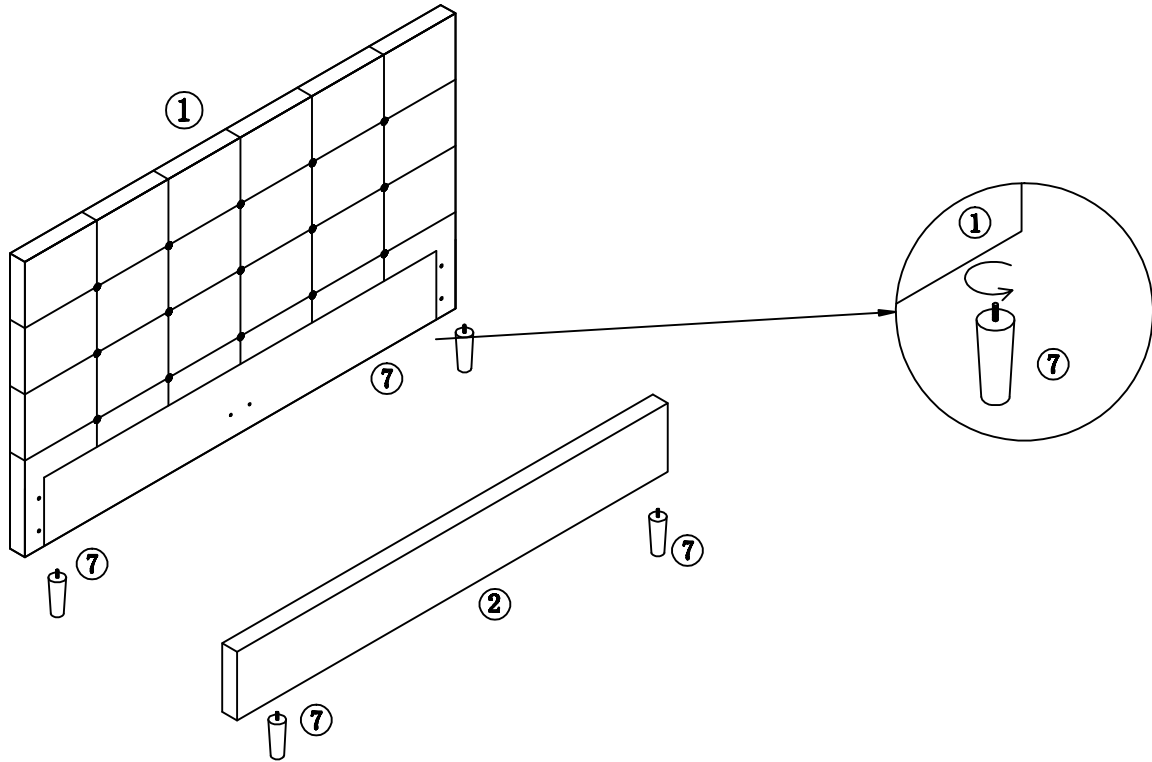
Hardware list

Label	Picture	Description	Qty	Label	Picture	Description	Qty
A		Double Plastic CAP	12	G		NUT M6	2
B		Connection	2	H		Bolt M6x35	1
C		Connection	2	I		Bolt M6x25	6
D		Bolt M8x25	8	L		Connection Plate Left	2
E		Spring Washer	8	R		Connection Plate Right	2
F		Washer M8	12	N		Bolt M6x20	20

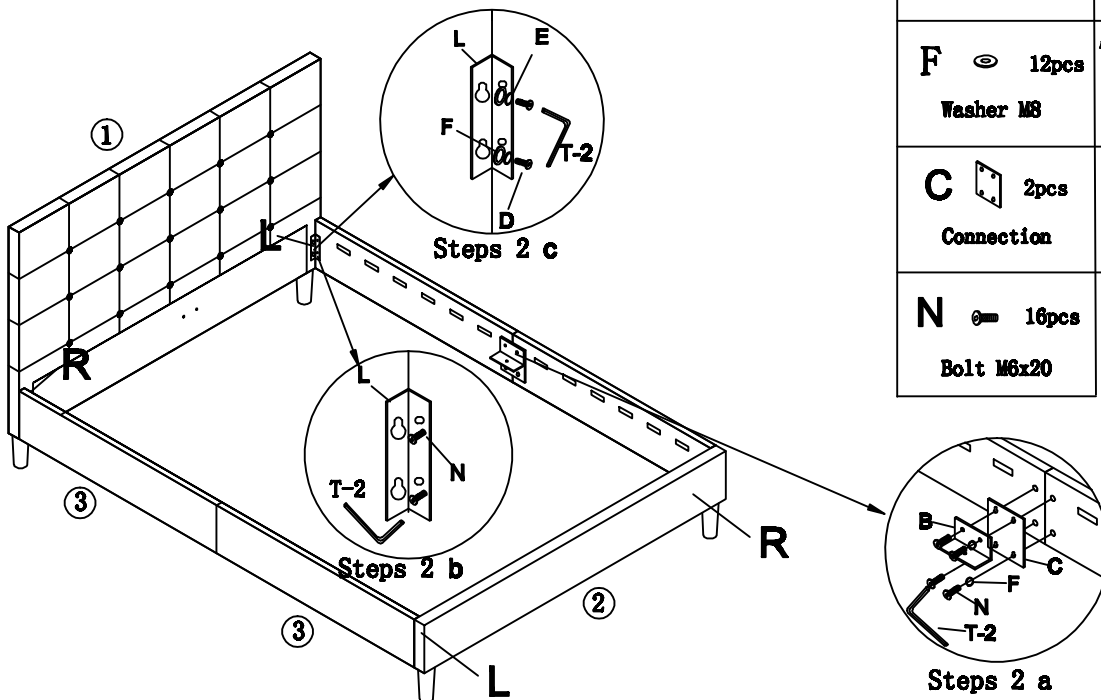
TOOL list










Label	Picture	Description	Qty
T-1		Screw driver(not provided)	1
T-2		Allen key M5	1
T-3		Allen key M4	1
T-4		SPANNER	1

Steps 1









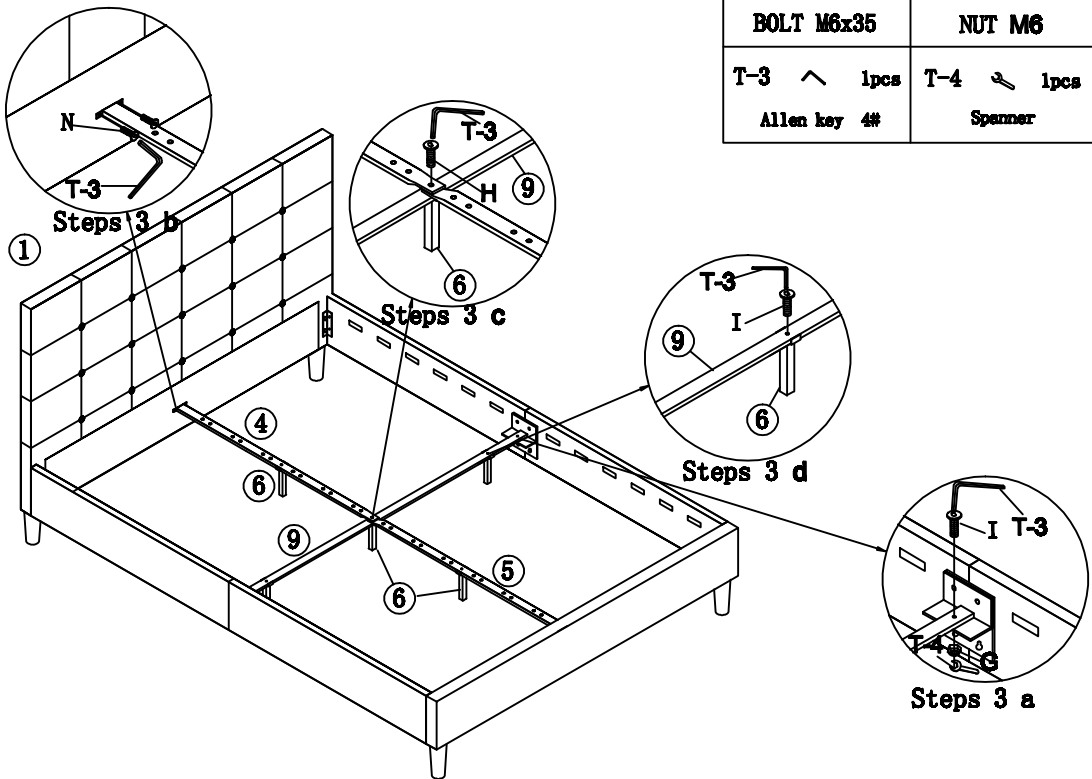
Steps 2




L  2pcs Connection Plate Left	R  2pcs Connection Plate Right
D  8pcs Bolt M8x25	E  8pcs Spring Washer
F  12pcs Washer M8	T-2  1pcs Allen key 5#
C  2pcs Connection	B  2pcs Connection
N  16pcs Bolt M6x20	

Steps 3

H  1pcs BOLT M6x35	G  2pcs NUT M6	I  6pcs BOLT M6x25
T-3  1pcs Allen key 4#	T-4  1pcs Spanner	N  4pcs Bolt M6x20



Steps 4

A  12pcs Double Plastic CAP

