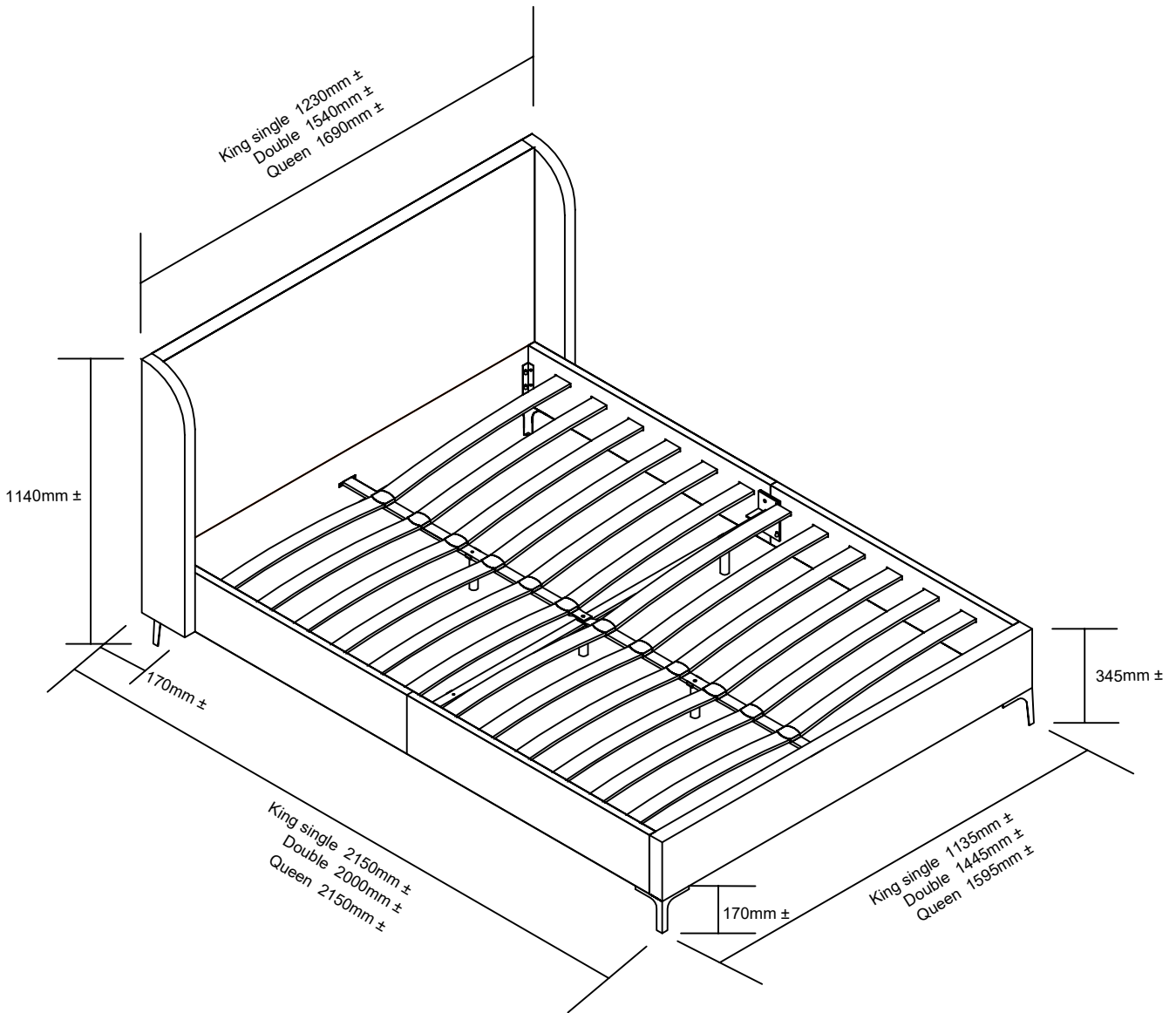
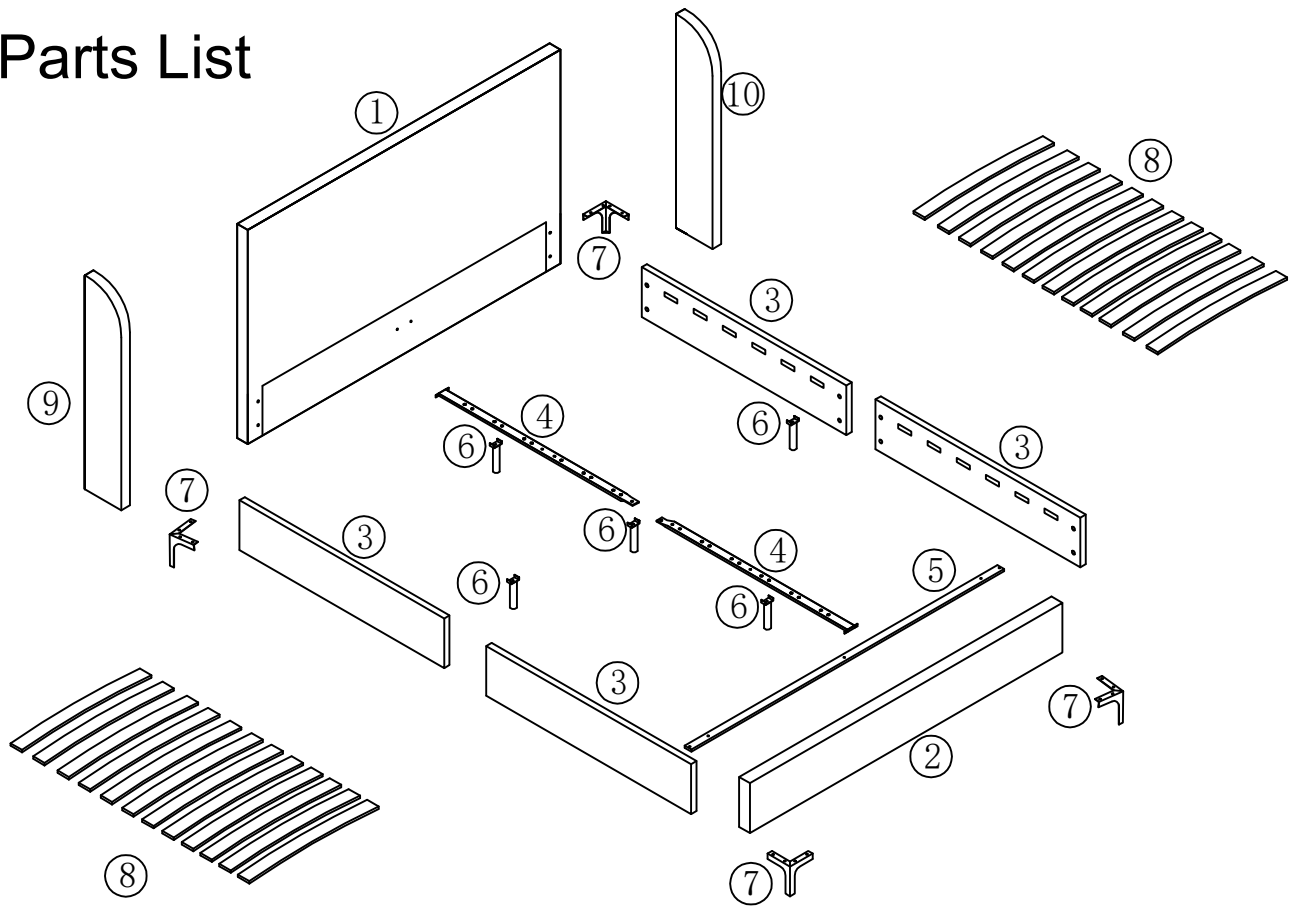


ASSEMBLY INSTRUCTIONS



Parts List




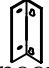






Hardware List

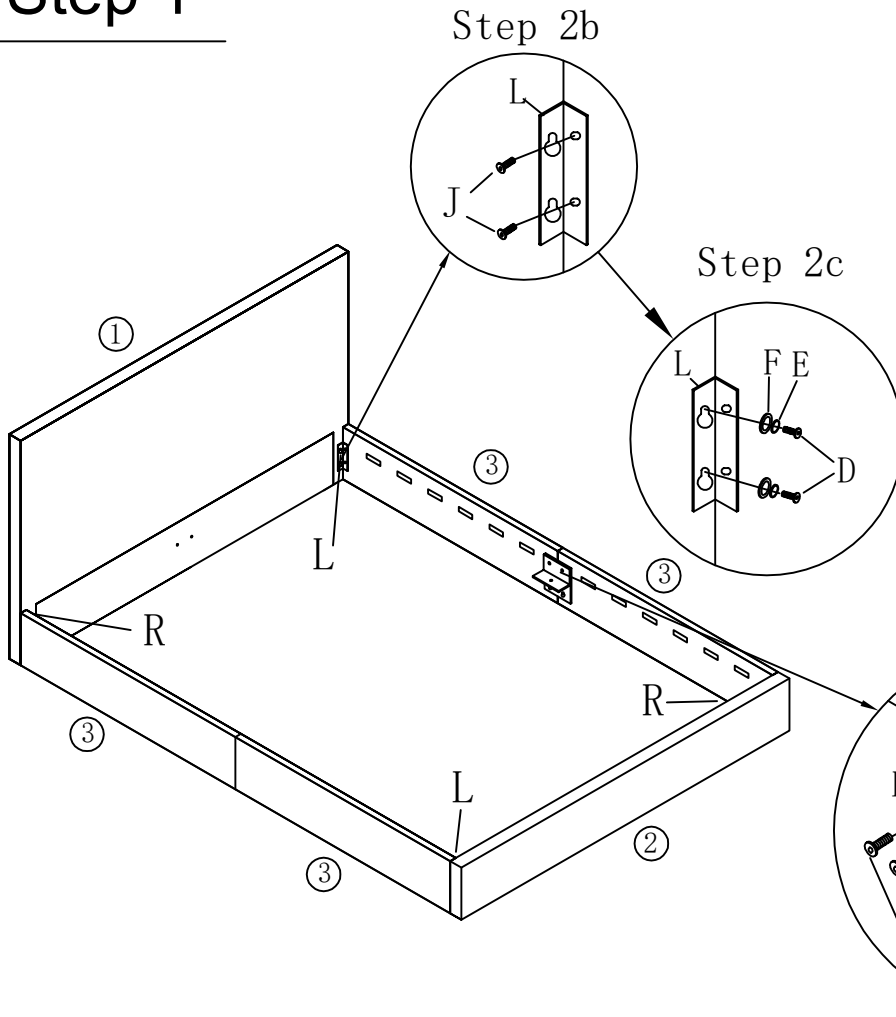
Label	Picture	Description	Qty	Label	Picture	Description	Qty
A		Double Plastic Cap	12	H		Bolt M6x35	1
B		L Bracket Plate	2	I		Bolt M6x25	6
C		Connection	2	J		Bolt M6x20	20
D		Bolt M8x25	8	K		Screw 4x25mm	16
E		Spring Washer	8	L		Connection Plate Left	2
F		Washer M8	16	R		Connection Plate Right	2
G		Nut M6	2	M		Bolt M8x40	4

Tool List


Label	Picture	Description	Qty
T-1		Screw driver (not provided)	1
T-2		Allen key M5	1
T-3		Allen key M4	1
T-4		Spanner	1

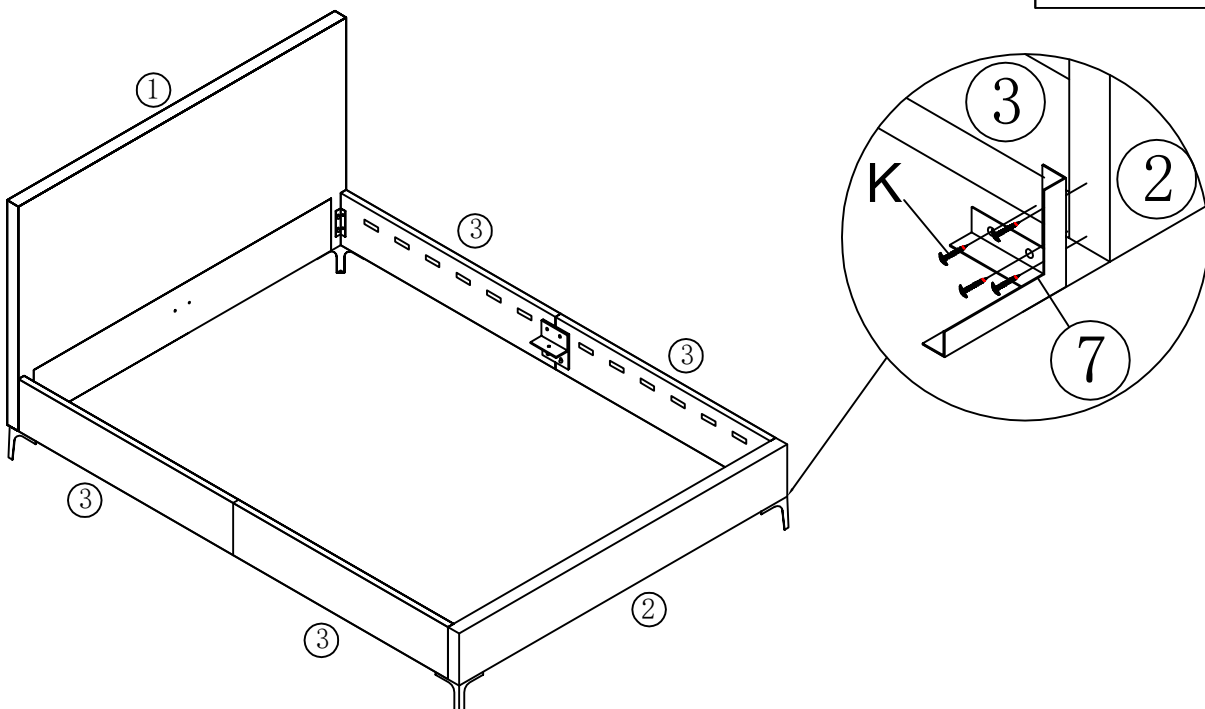
Step 1

L  2pcs Connection Plate Left	R  2pcs Connection Plate Right
D  8pcs Bolt M8x25	E  8pcs Spring Washer
F  12pcs Washer M8	J  16pcs Bolt M6x20
C  2pcs Connection L Bracket Plate	B  2pcs Connection R Bracket Plate







Step 2

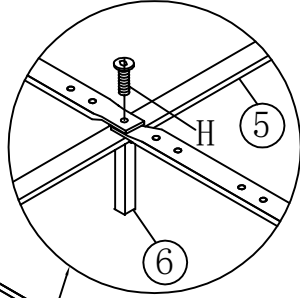
K  16pcs Screw 4x25mm



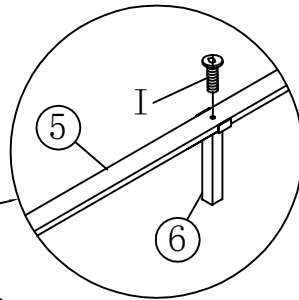
Step 3

H  1pcs	G  2pcs	I  6pcs
Bolt M6x35	Nut M6	Bolt M6x25
		J  4pcs
		Bolt M6x20

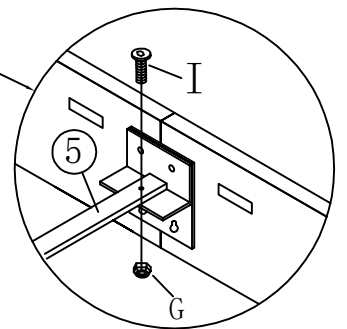
Step 3c



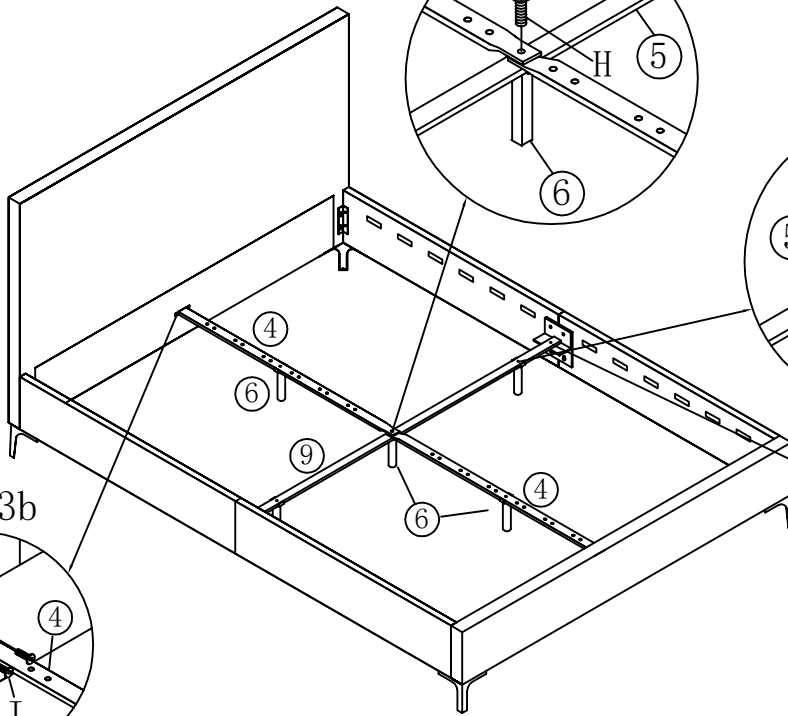
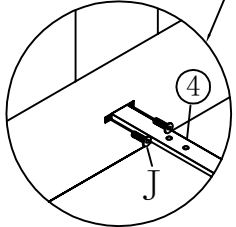
Step 3d




Step 3a

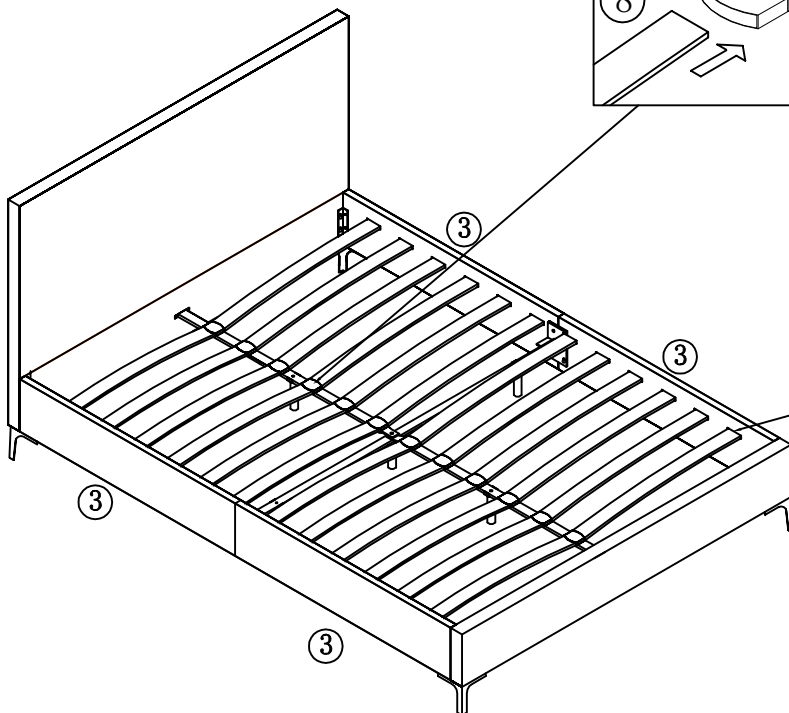
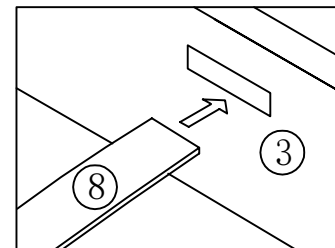
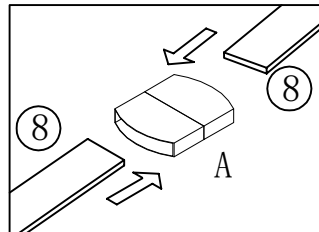


Step 3b




Step 4

A  12pcs
Double Plastic Cap



Step 5

M  4pcs

Bolt M8x40

F  4pcs

Washer M8

