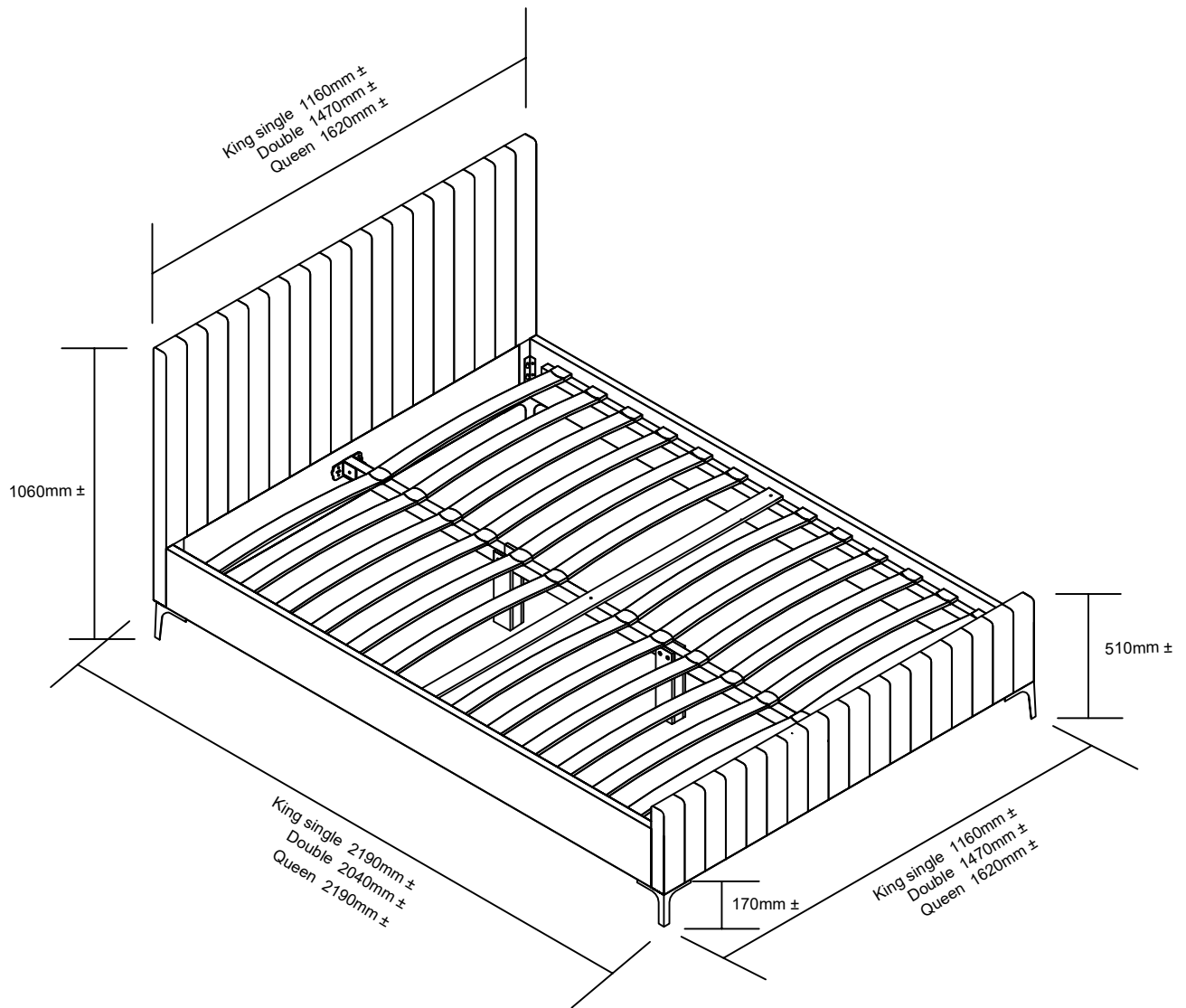


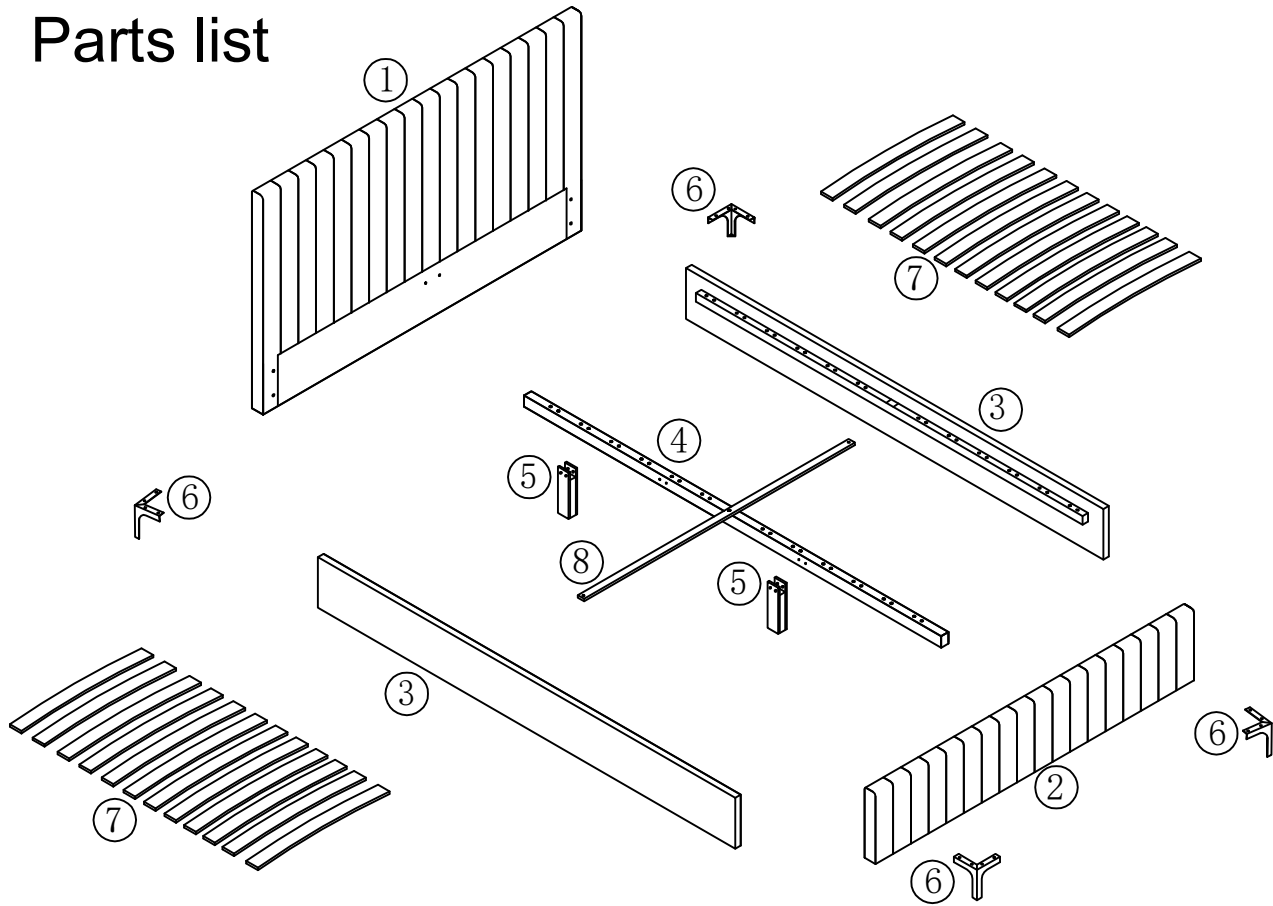
ALISSA BED

ASSEMBLY INSTRUCTIONS



ALISSA BED IS FOR DOMESTIC USE
AND STRICTLY NOT FOR CONTRACT USE.

Parts list



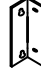

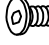

Hardware list

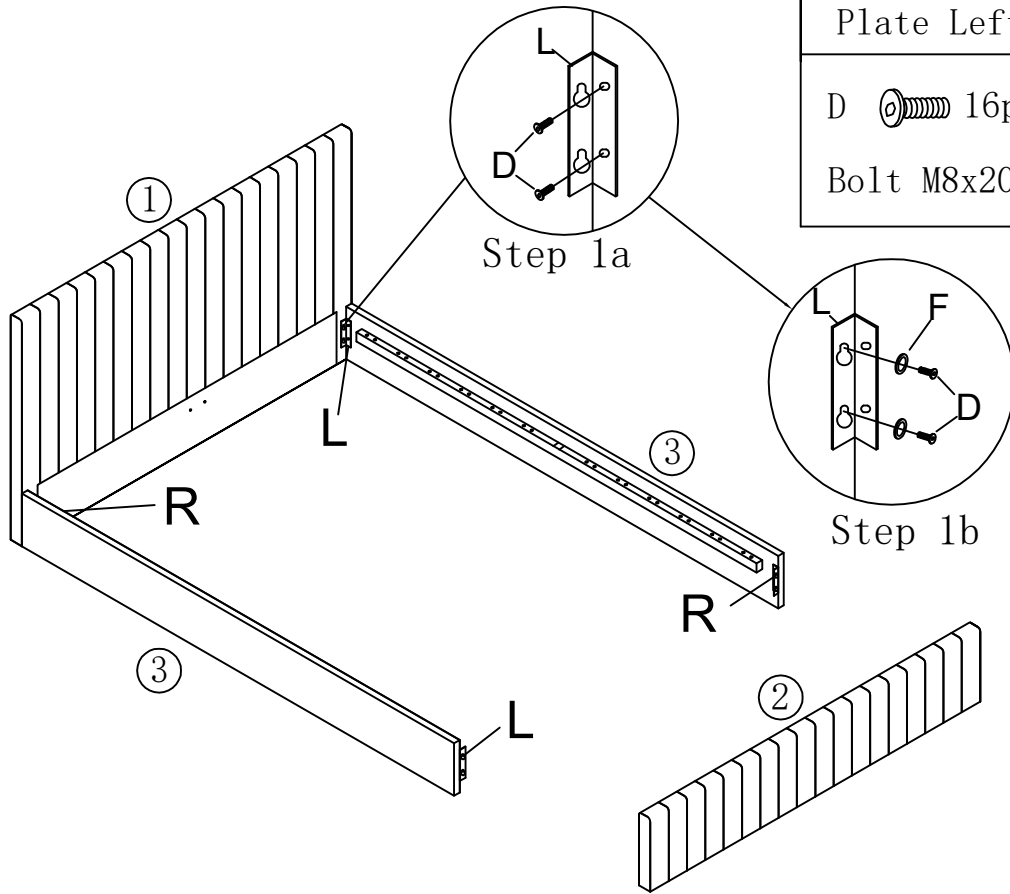
Label	Picture	Description	Qty	Label	Picture	Description	Qty
A		Single Plastic CAP	24	H		Bolt M8x65mm	4
B		Double Plastic CAP	12	I		Bolt M6x20mm	4
C		Metal Frame "U"	2	J		Screw 3.5x15mm	4
D		Bolt M8x20mm	16	K		Screw 4x25mm	19
E		Spring Washer	4	L		Connection Plate Left	2
F		Washer M8	12	R		Connection Plate Right	2
G		Nut	4				

Tool list


Label	Picture	Description	Qty
T-1		Screw driver (not provided)	1
T-2		Allen key M5	1
T-3		Allen key M4	1
T-4		Spanner	1

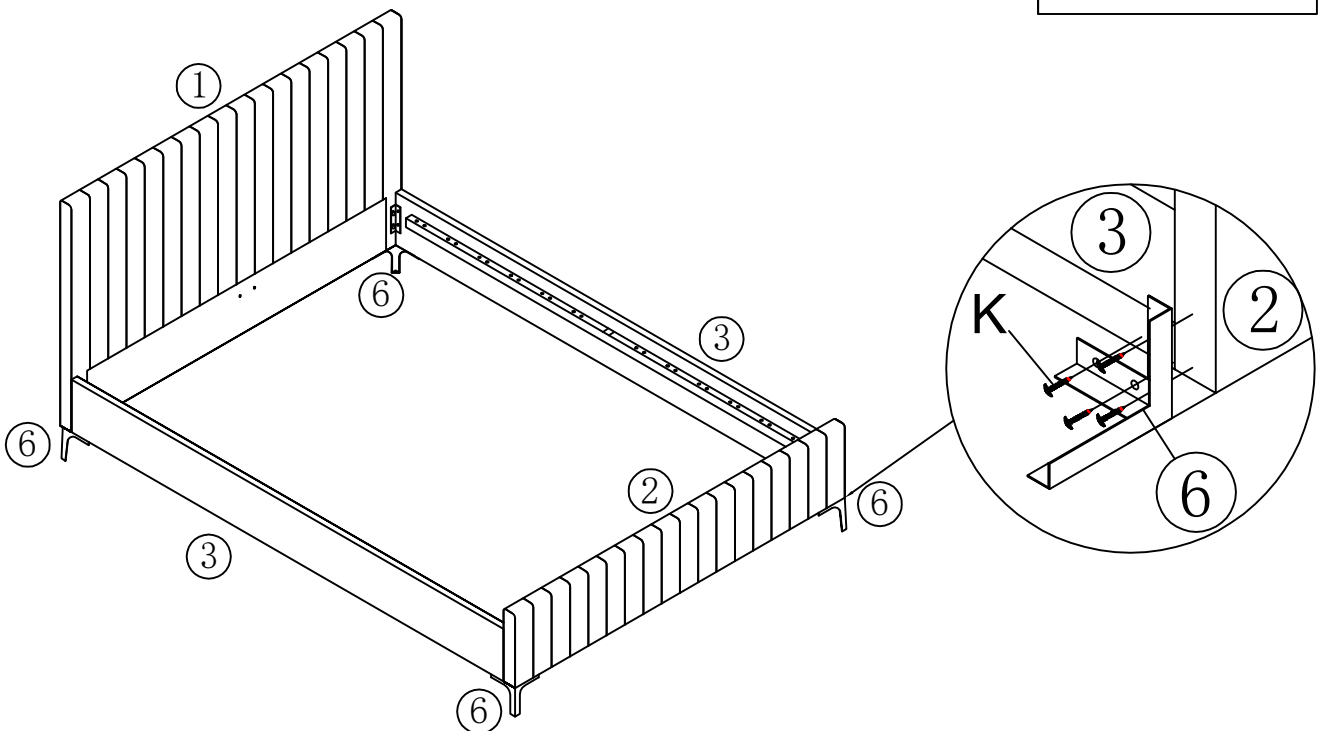
Step 1

L  2pcs Connection Plate Left	R  2pcs Connection Plate Right
D  16pcs Bolt M8x20mm	F  8pcs Washer M8










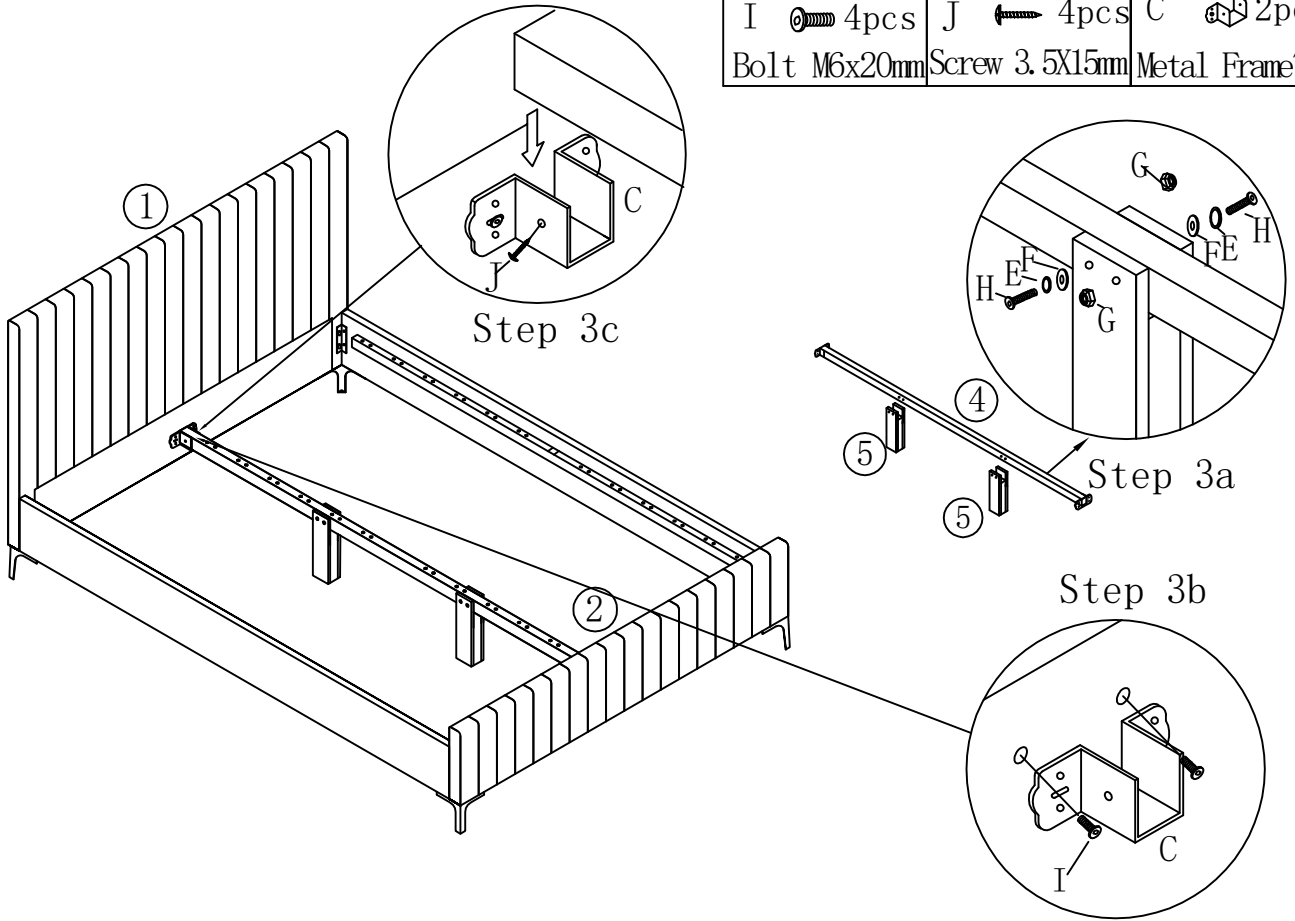
Step 2

K  16pcs Screw 4x25mm





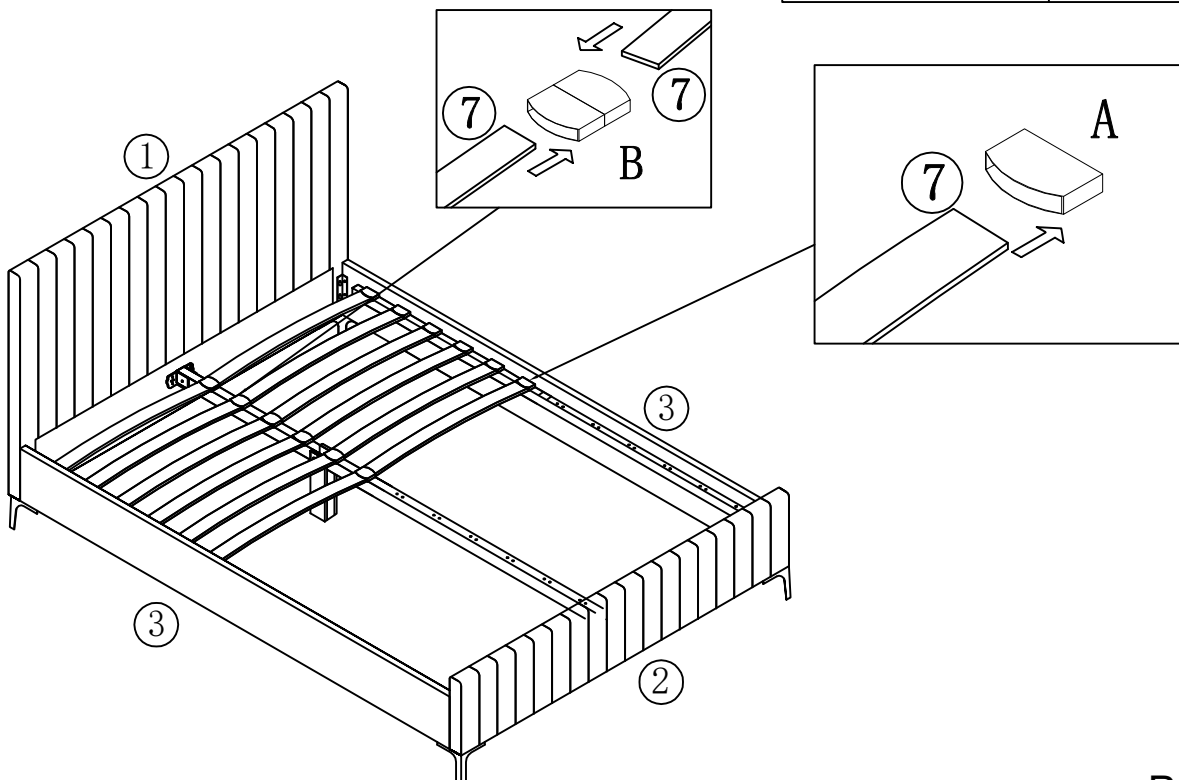
Step 3

E  4pcs Spring Washer	F  4pcs Washer M8	G  4pcs Nut	H  4pcs Bolt M8x65mm
I  4pcs Bolt M6x20mm	J  4pcs Screw 3.5x15mm	C  2pcs Metal Frame "U"	






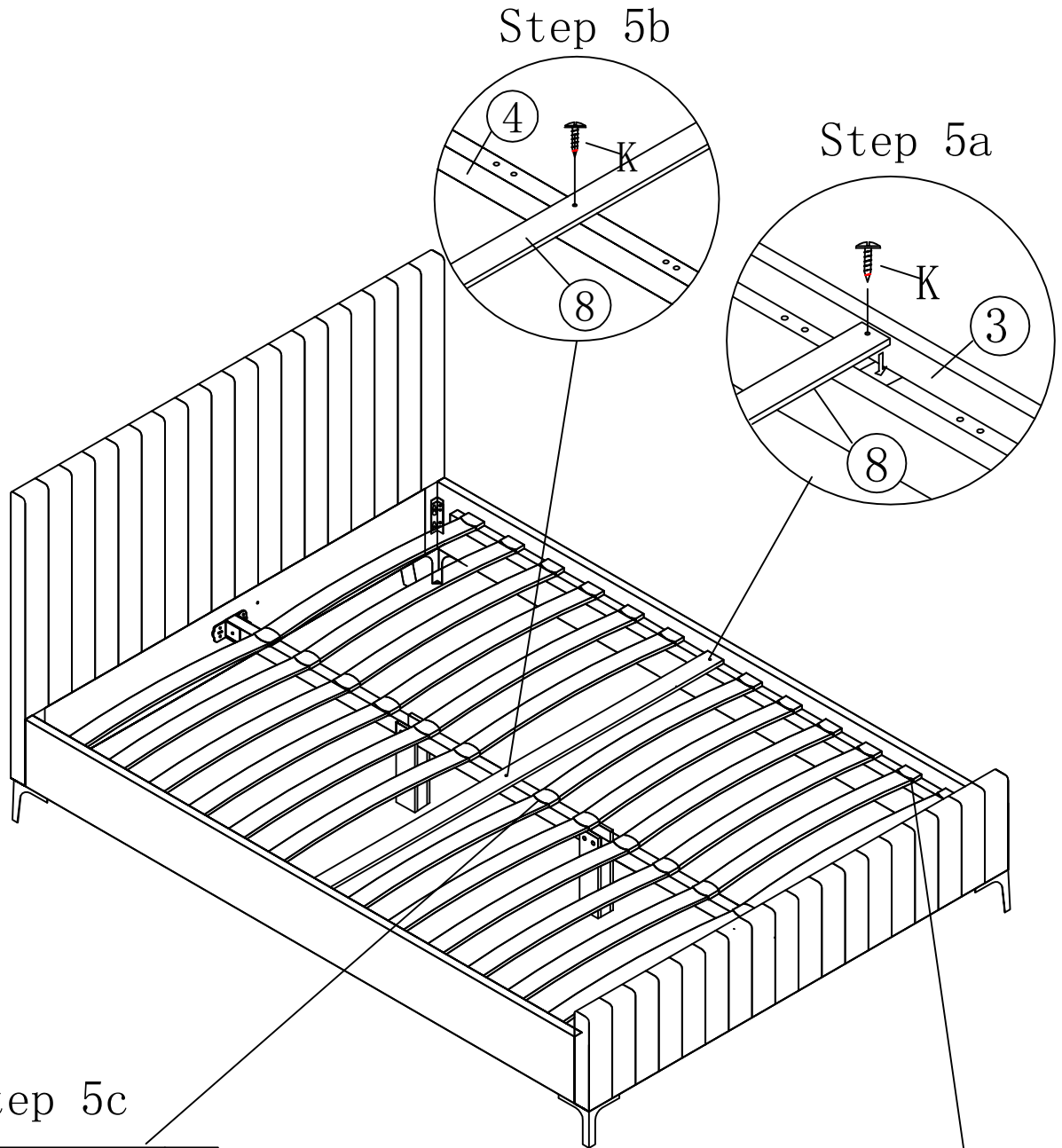
Step 4

A  12pcs Single Plastic CAP	B  6pcs Double Plastic CAP
---	--

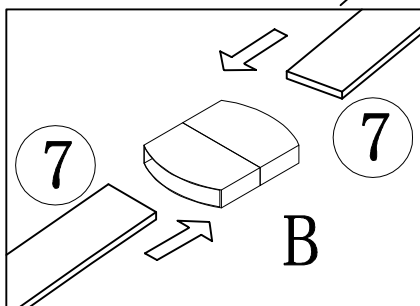


Step 5

K  3pcs Screw 4x25mm	A  12pcs Single Plastic CAP	B  6pcs Double Plastic CAP
---	---	---



Step 5c



Step 5d

