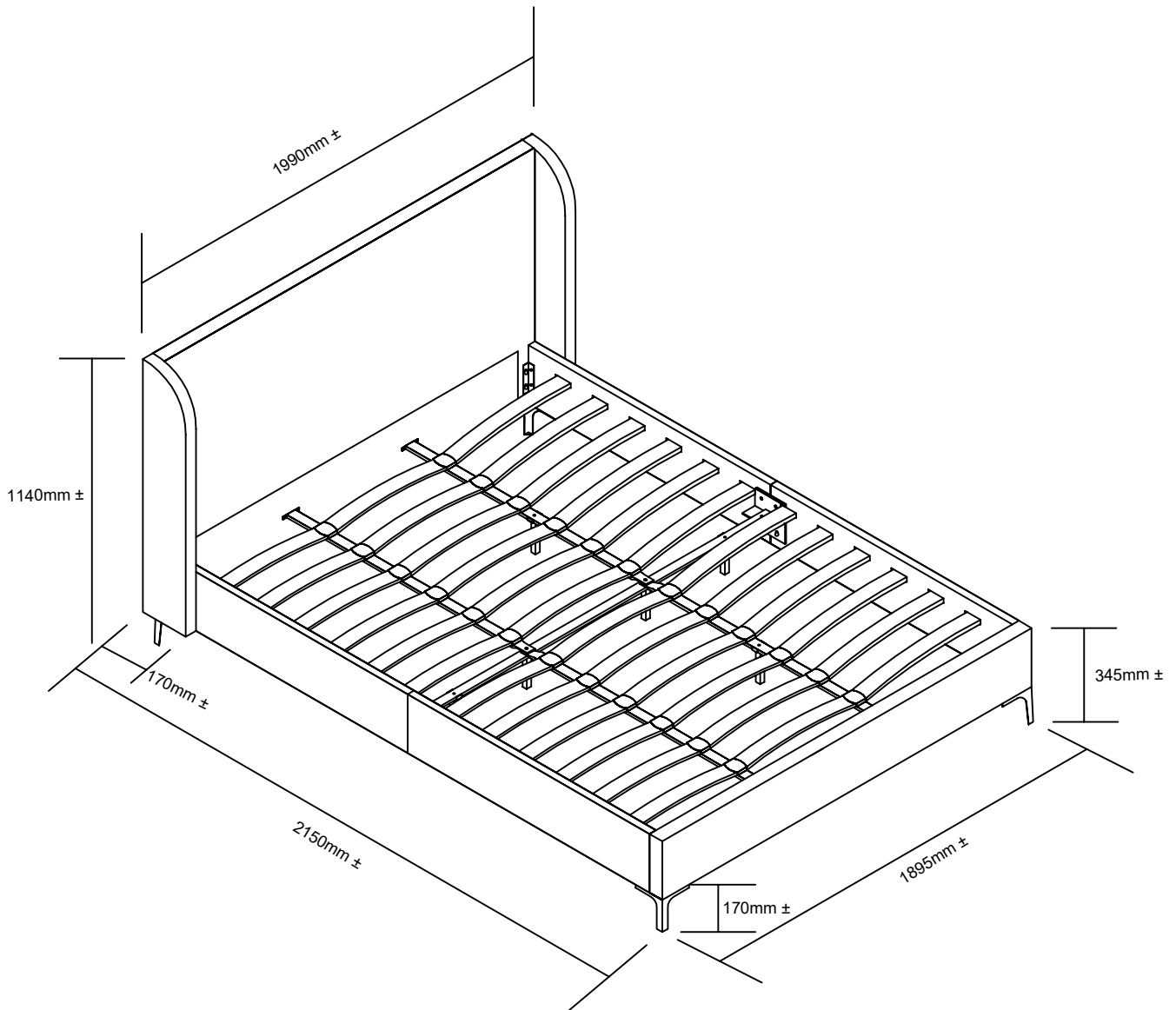
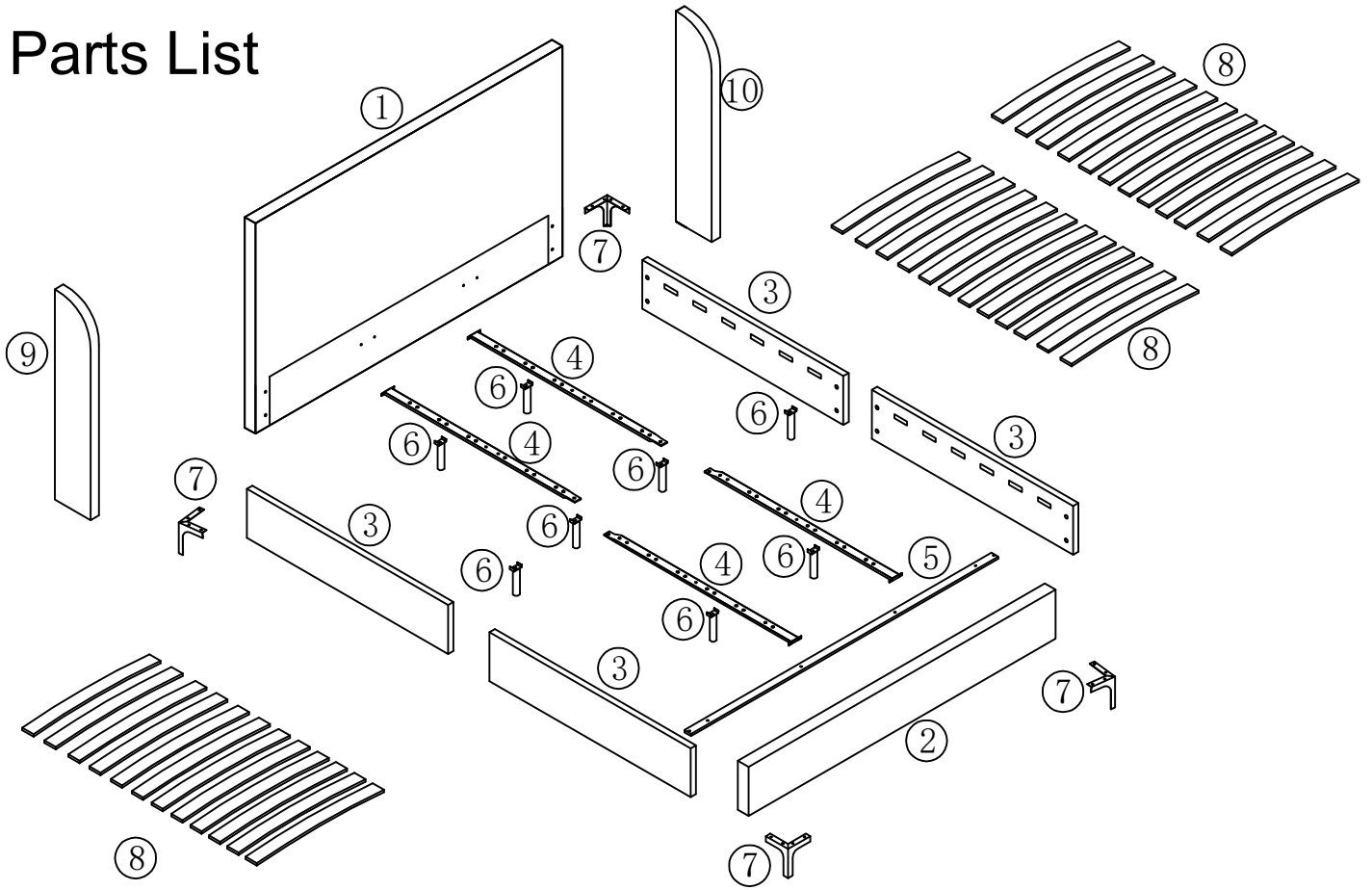


OLIVIA WING KING BED ASSEMBLY INSTRUCTIONS



**OLIVIA WING KING BED IS FOR DOMESTIC USE
AND STRICTLY NOT FOR CONTRACT USE.**

Parts List



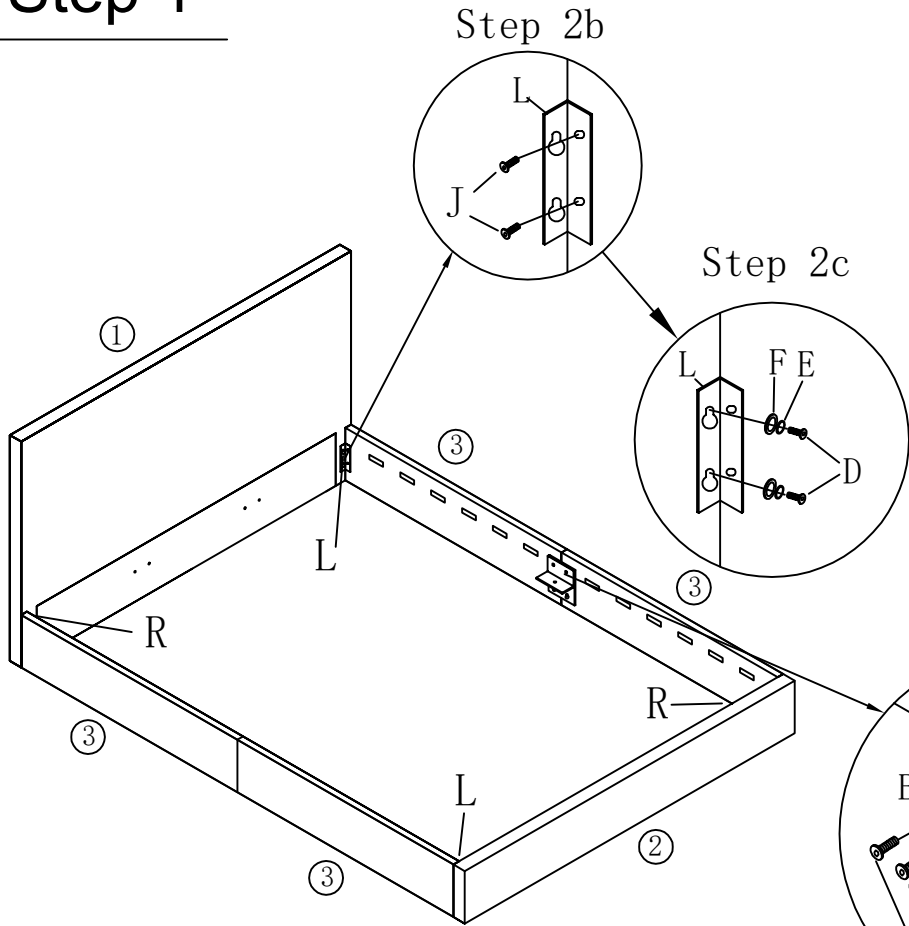
Hardware List

Label	Picture	Description	Qty	Label	Picture	Description	Qty
A		Double Plastic Cap	24	H		Bolt M6x35	2
B		L Bracket Plate	2	I		Bolt M6x25	8
C		Connection	2	J		Bolt M6x20	24
D		Bolt M8x25	8	K		Screw 4x25mm	16
E		Spring Washer	8	L		Connection Plate Left	2
F		Washer M8	16	R		Connection Plate Right	2
G		Nut M6	2	M		Bolt M8x40	4

Tool List

Label	Picture	Description	Qty
T-1		Screw driver (not provided)	1
T-2		Allen key M5	1
T-3		Allen key M4	1
T-4		Spanner	1

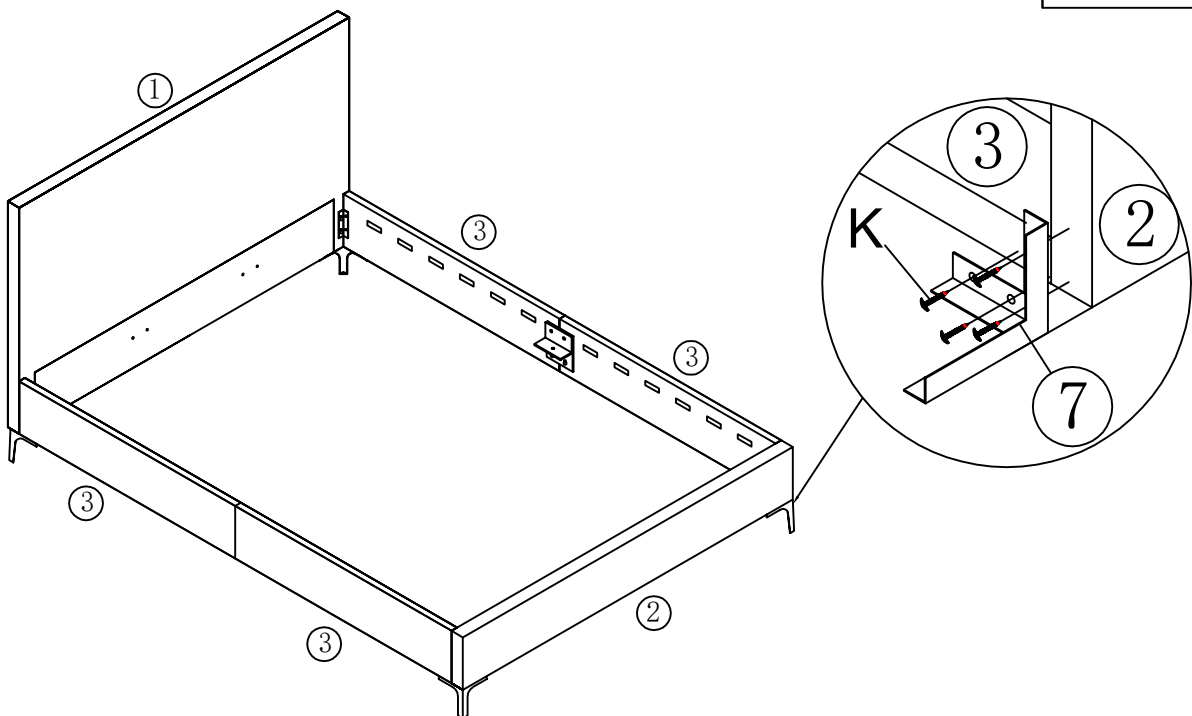
Step 1







L	2pcs	R	2pcs
D	8pcs	E	8pcs
F	12pcs	J	16pcs
C	2pcs	B	2pcs

Step 2

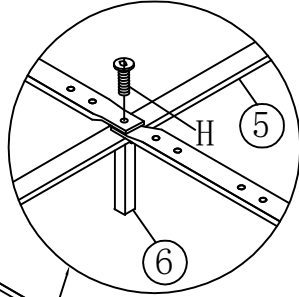
K	16pcs
Screw 4x25mm	



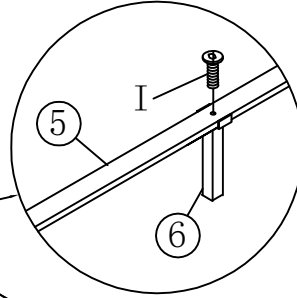
Step 3

H  2pcs	G  2pcs	I  8pcs
Bolt M6x35	Nut M6	Bolt M6x25
		J  8pcs
		Bolt M6x20

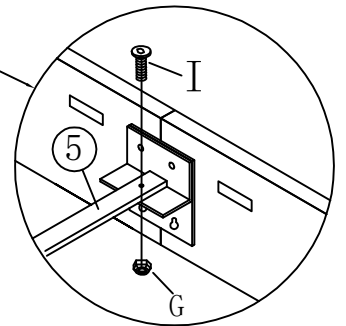
Step 3c



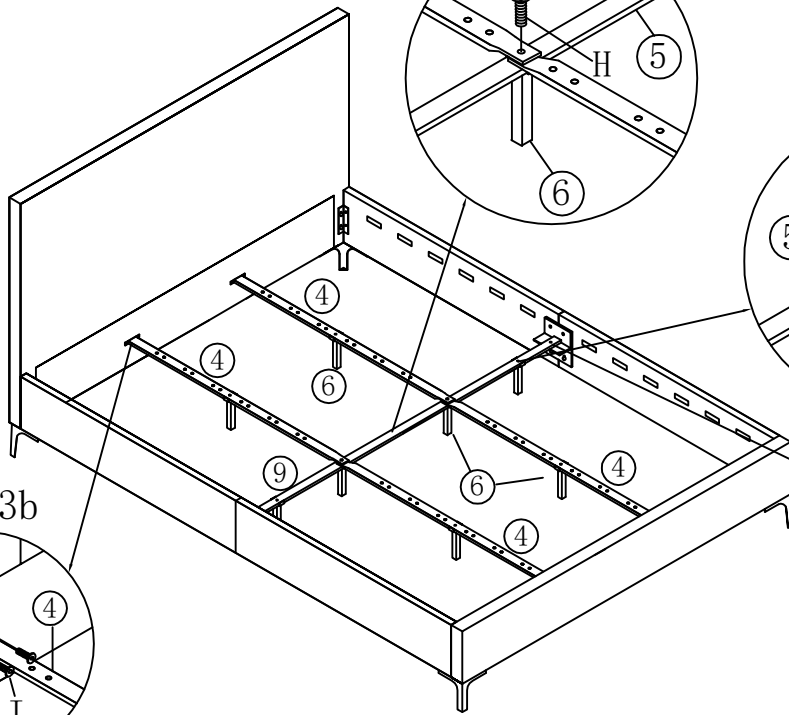
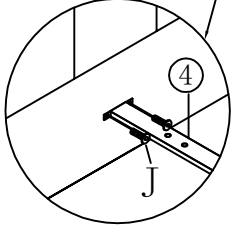
Step 3d




Step 3a

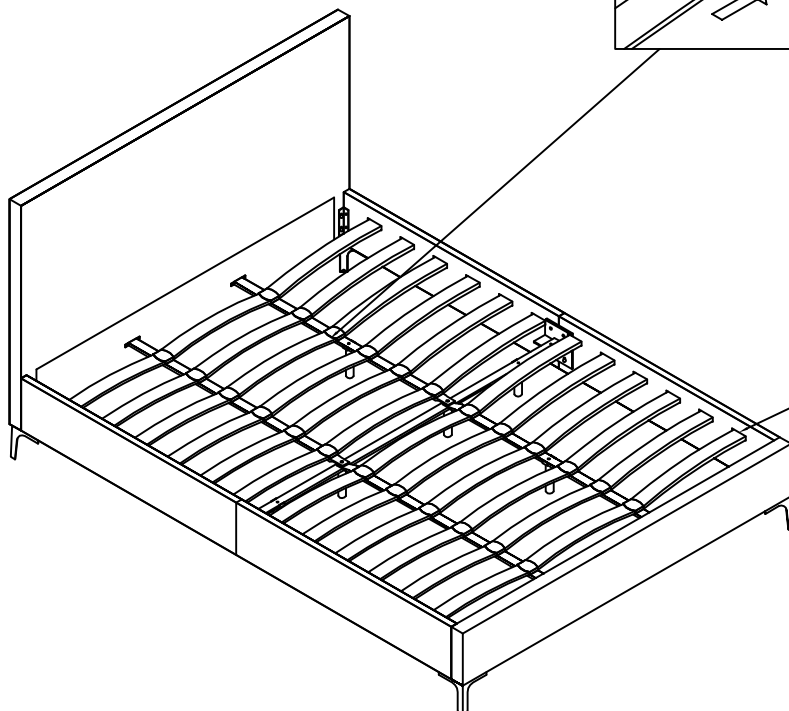
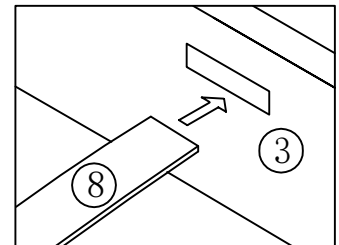
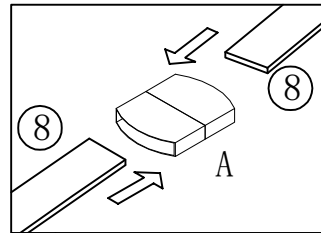


Step 3b





Step 4

A  24pcs
Double Plastic Cap



Step 5

M  4pcs
Bolt M8x40

F  4pcs
Washer M8

