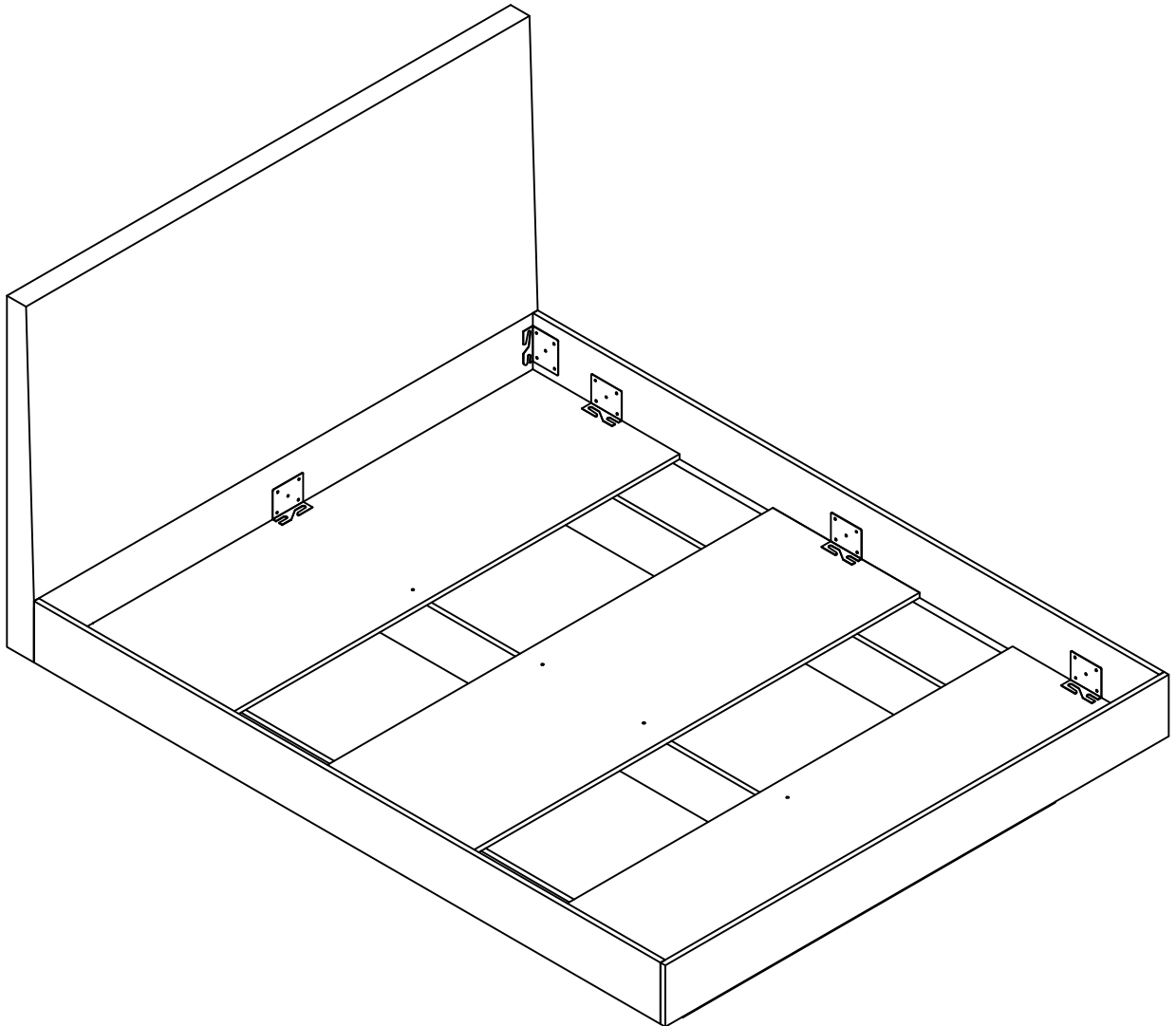
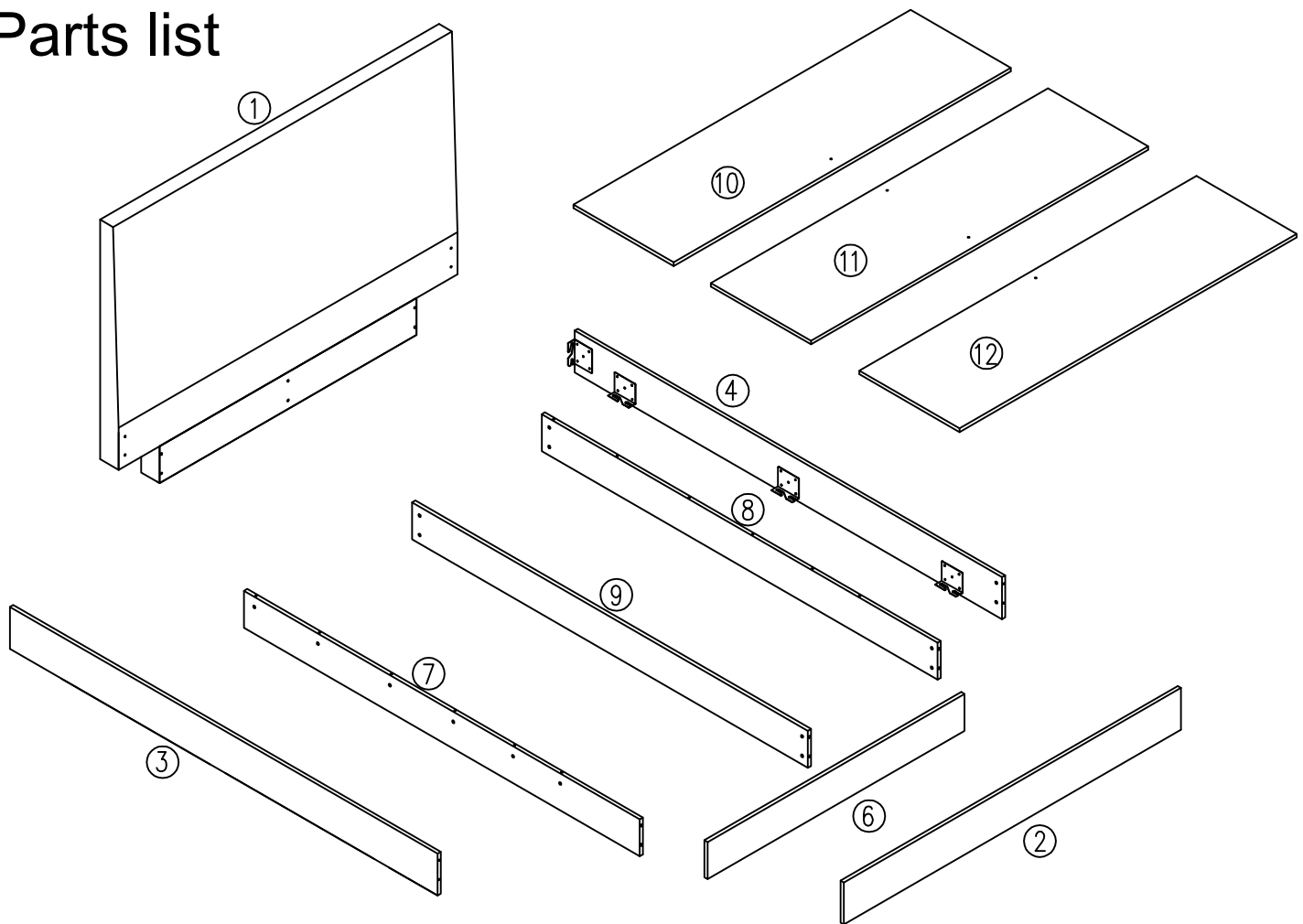


CASANO BED - GRAIN FINISH ASSEMBLY INSTRUCTIONS



THIS BED IS FOR DOMESTIC USE
AND STRICTLY NOT FOR CONTRACT USE.

Parts list



Hardware list

Label	Picture	Description	Qty	Label	Picture	Description	Qty
A		Connecting rod	28	D		Bolt M6x20	20
B		Connecting buckle	28	E		Spring Washer	20
C		Screw 4*35	10	F		Washer M6	20


Tool list

Label	Picture	Description	Qty
T-1		Screw driver(not provided)	1
T-2		Allen key M4	1

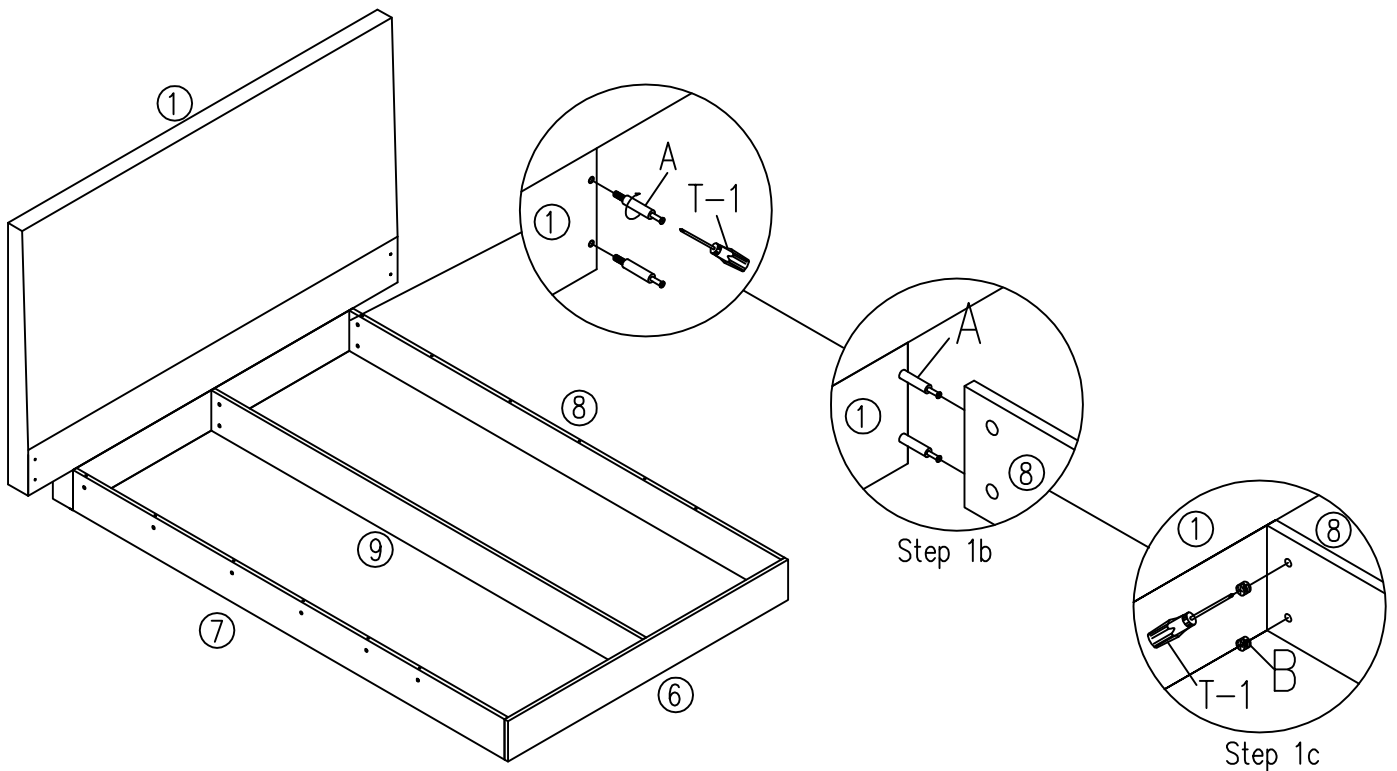
Step 1

A  12pcs


Connecting rod

B  12pcs

Connecting buckle



Step 2

A  12pcs

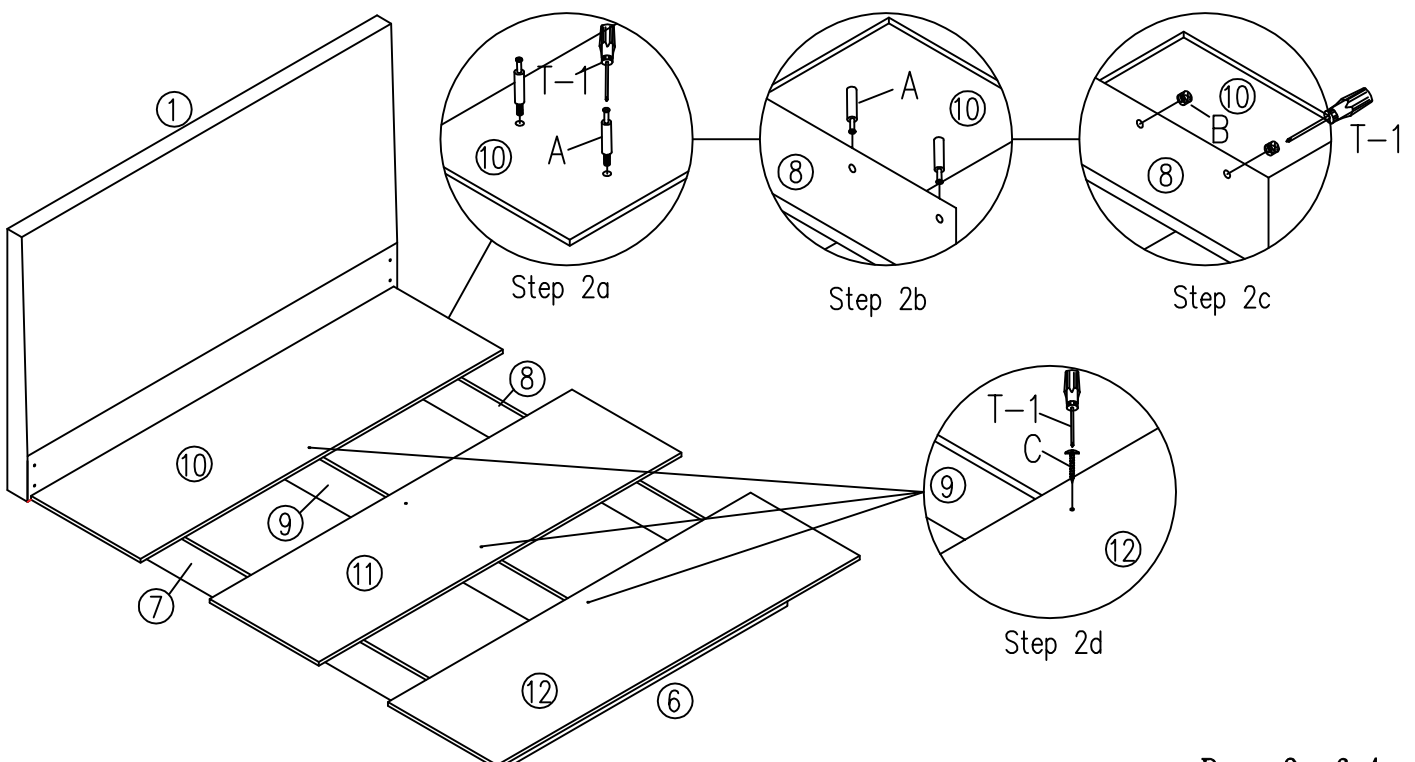
Connecting rod

B  12pcs

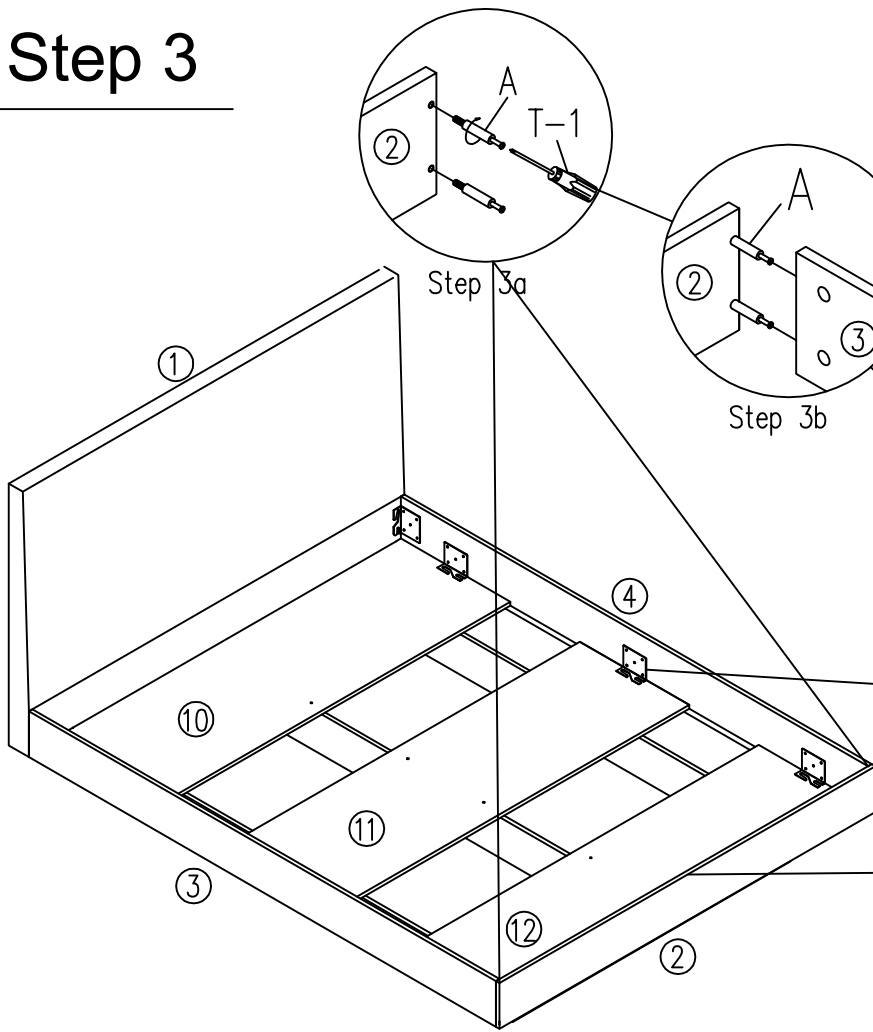
Connecting buckle






C  5pcs

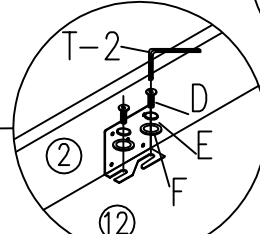
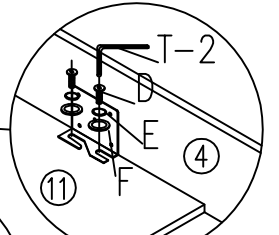
Screw 4*35



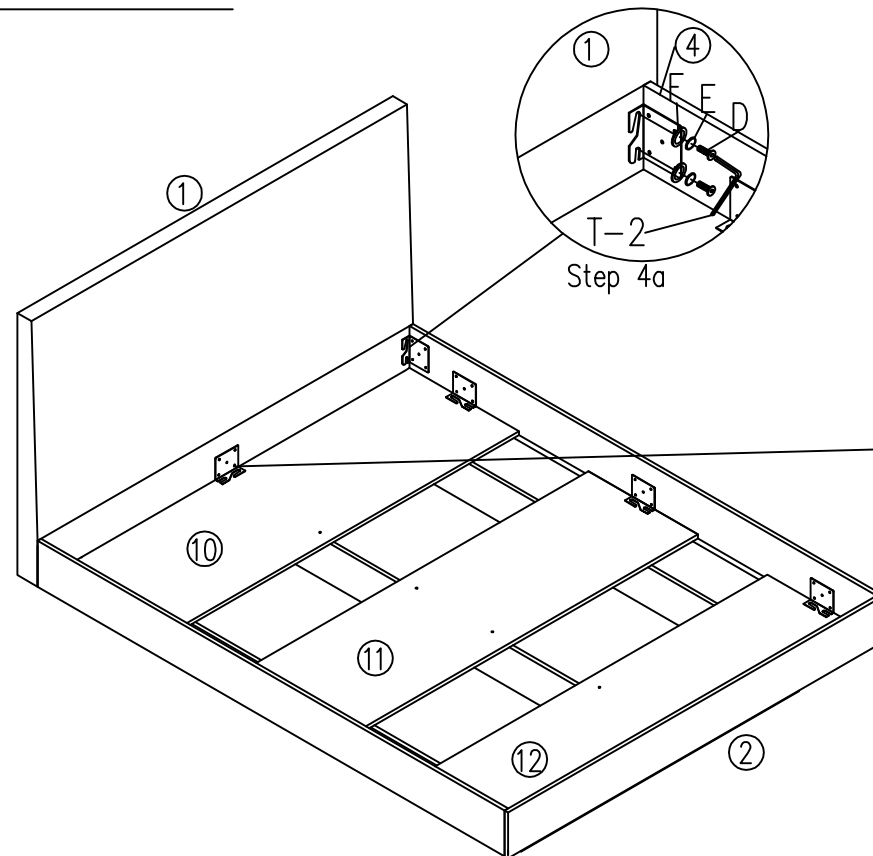
Step 3







A  4pcs Connecting rod	B  4pcs Connecting buckle
D  14pcs Bolt M6x20	E  14pcs Spring Washer
	F  14pcs Washer M6



Step 4



D  6pcs Bolt M6x20	E  6pcs Spring Washer
C  5pcs Screw 4*35	F  6pcs Washer M6

