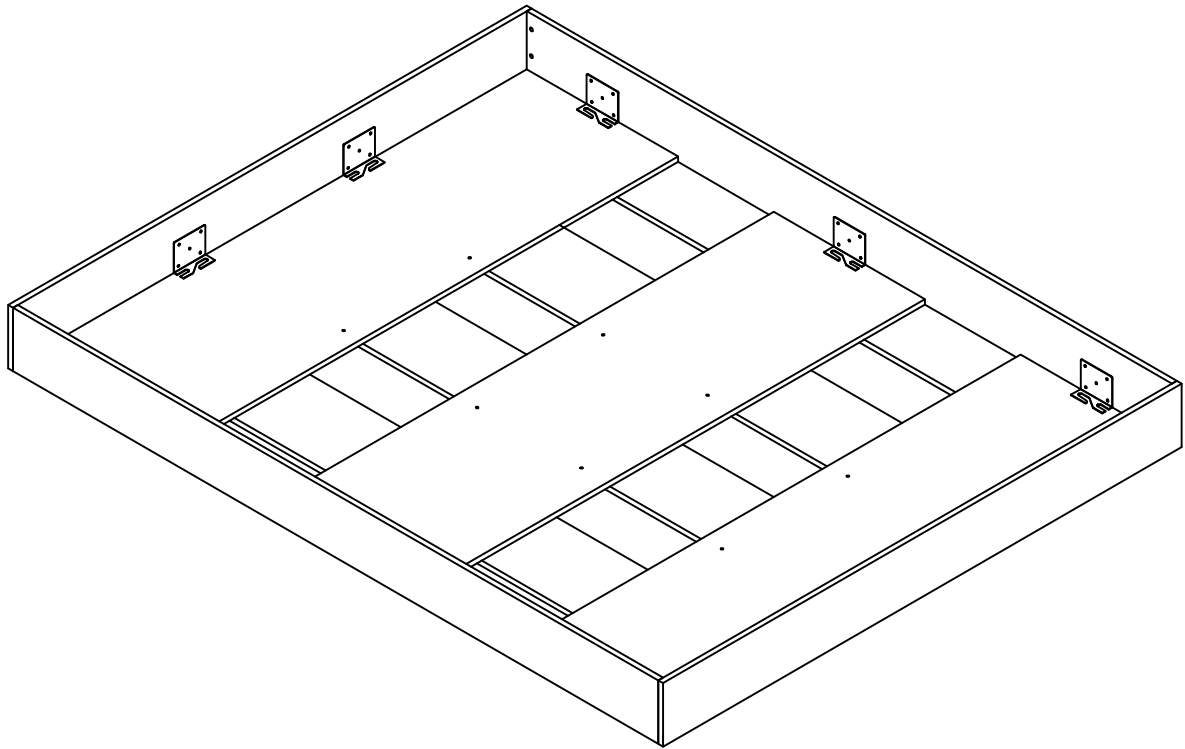
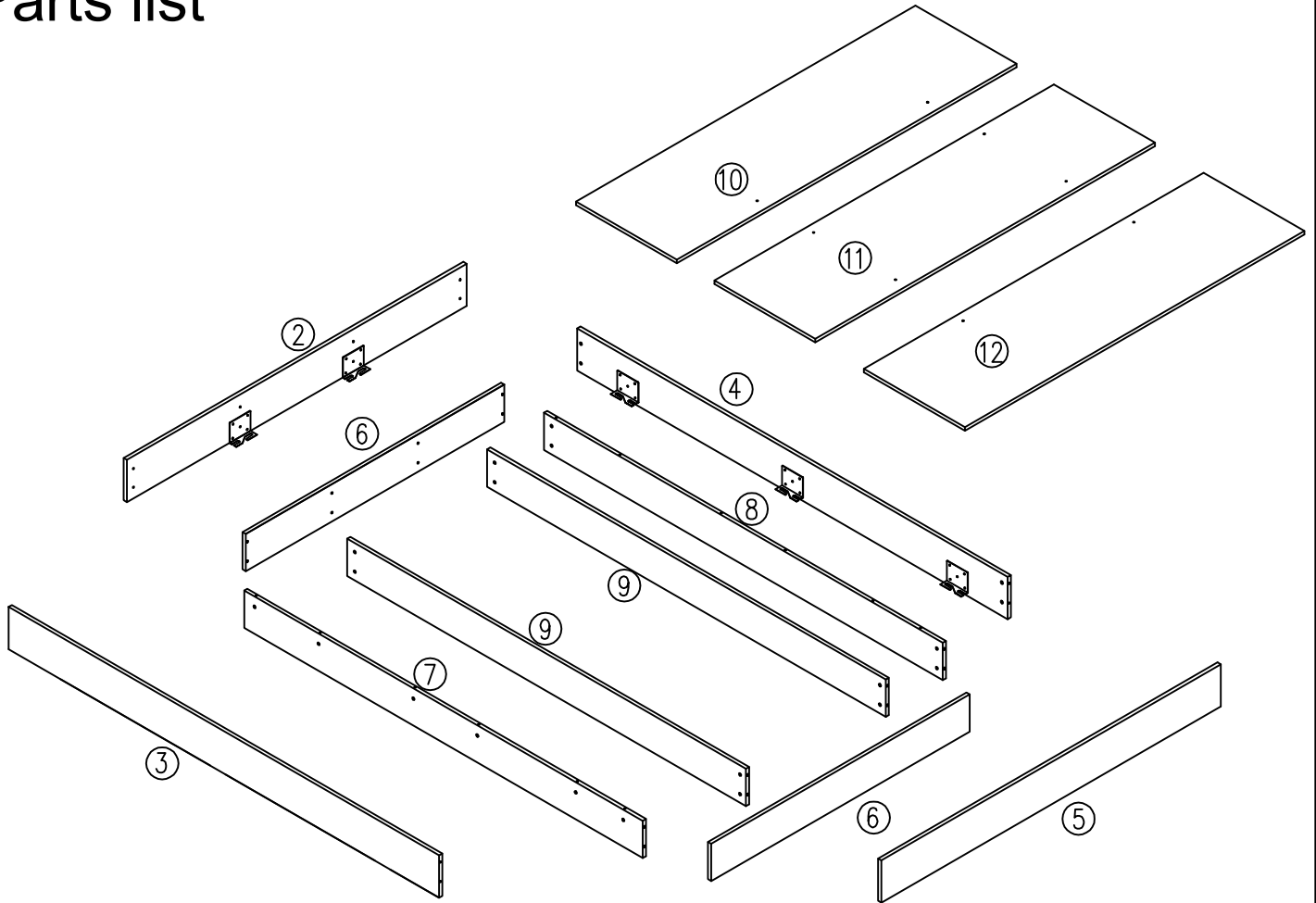


FLOATING PLATFORM KING BED ASSEMBLY INSTRUCTIONS





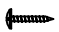




FLOATING PLATFORM KING BED IS FOR DOMESTIC USE
AND STRICTLY NOT FOR CONTRACT USE.



Parts list





Hardware list

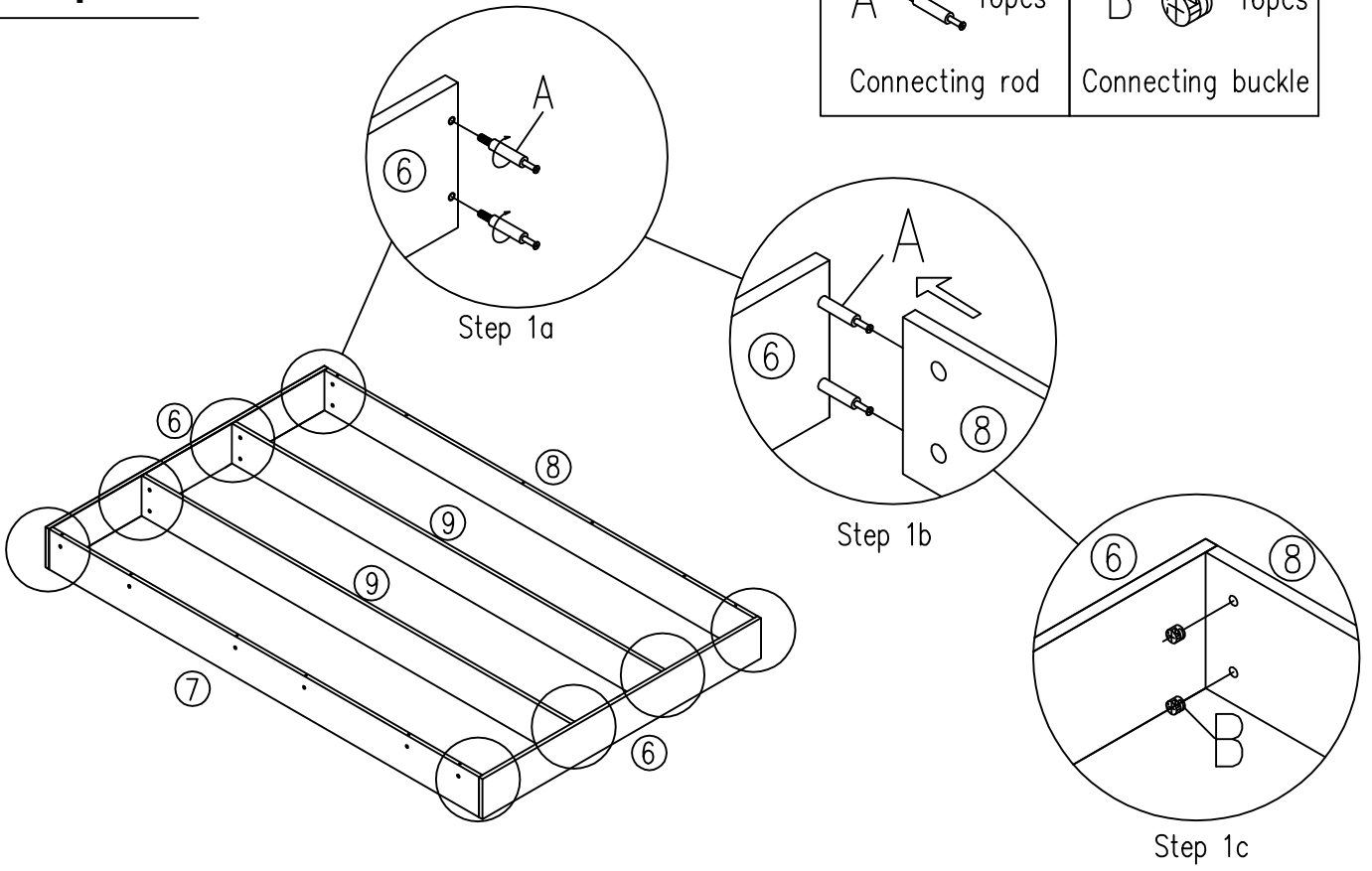
Label	Picture	Description	Qty	Label	Picture	Description	Qty
A		Connecting rod	36	E		Spring Washer	26
B		Connecting buckle	36	F		Washer M6	26
C		Screw 4x35	10	G		Bolt M6x40	6
D		Bolt M6x20	20				

Tool list



Label	Picture	Description	Qty
T-1		Screw driver(not provided)	1
T-2		Allen key M4	1

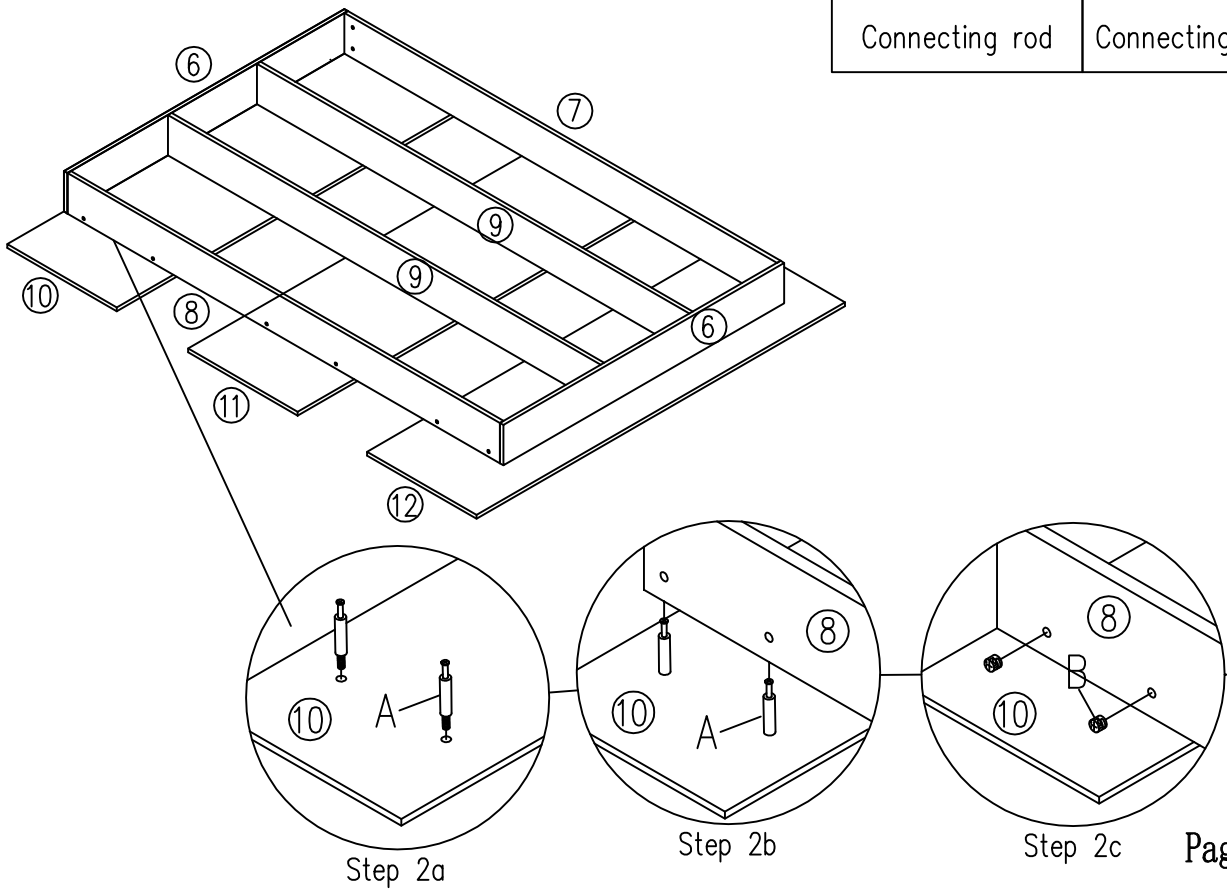
Step 1

A  16pcs	B  16pcs
Connecting rod	Connecting buckle




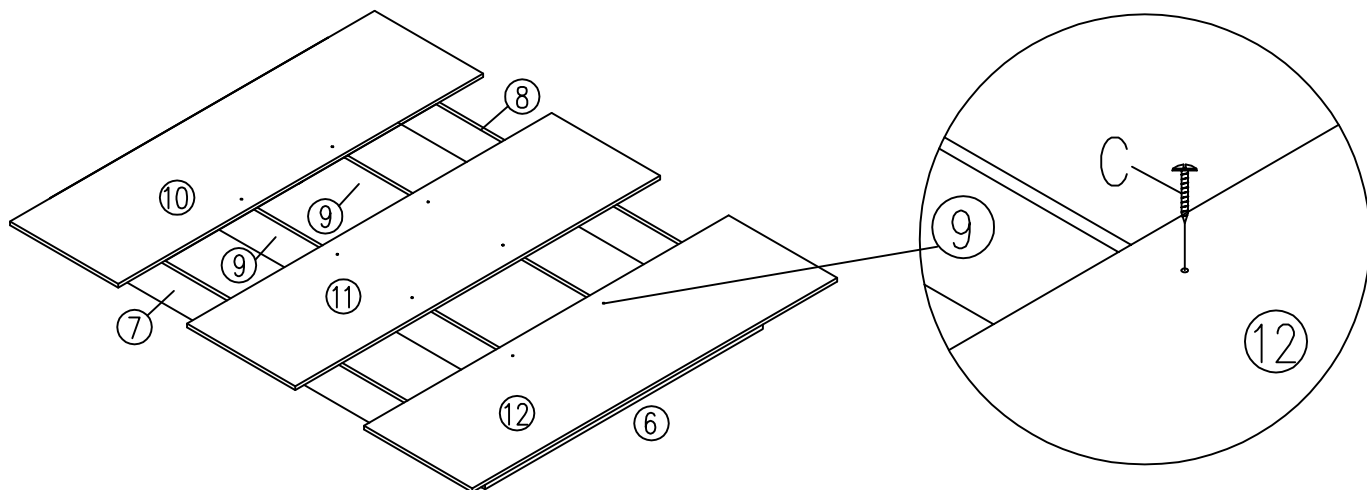
Step 2

A  12pcs	B  12pcs
Connecting rod	Connecting buckle




Step 3


C  10pcs
Screw 4x35

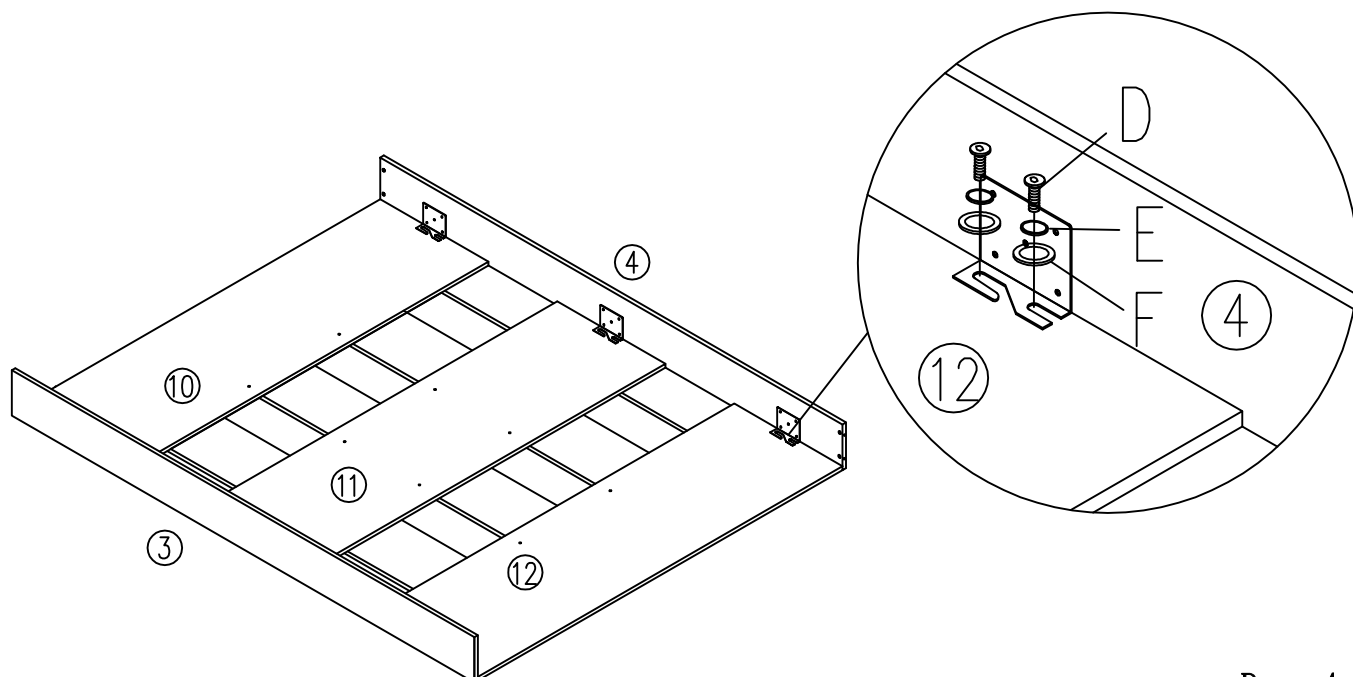


Step 4

D  12pcs
Bolt M6x20

E  12pcs
Spring Washer

F  12pcs
Washer M6



Step 5

A  8pcs

Connecting rod

B  8pcs

Connecting buckle

D  8pcs

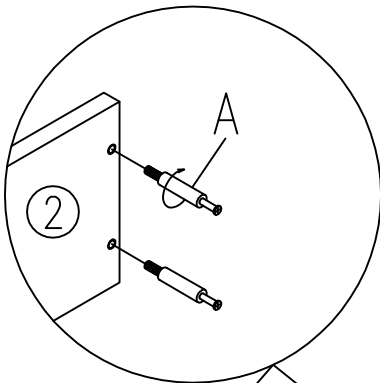
Bolt M6x20

E  8pcs

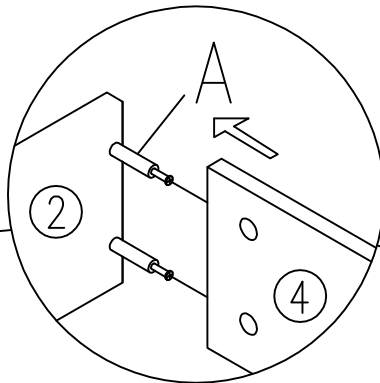
Spring Washer

F  8pcs

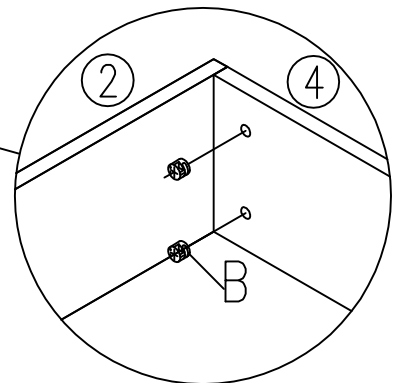
Washer M6



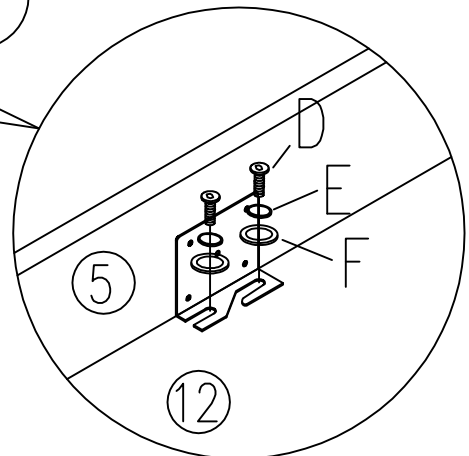
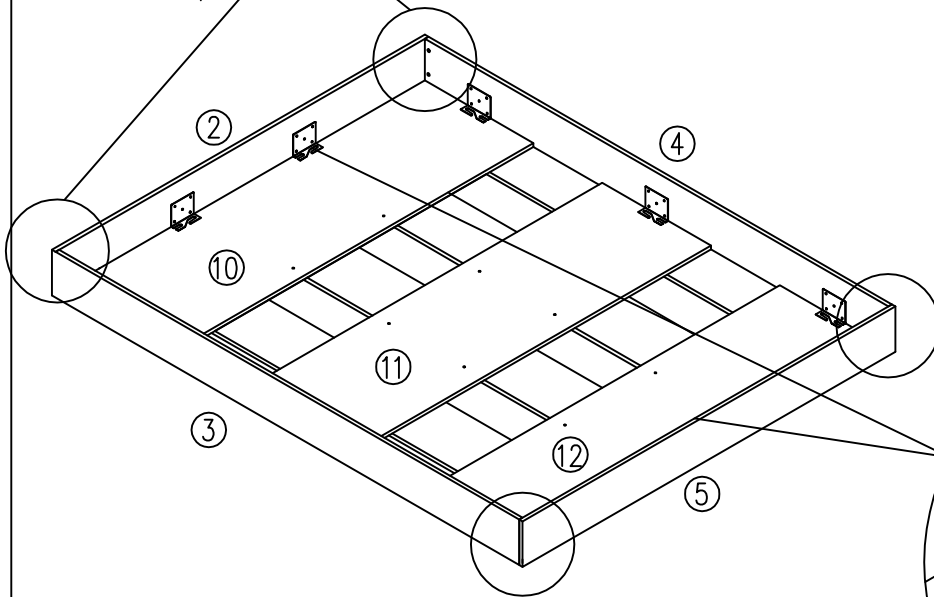
Step 5a



Step 5b



Step 5c



Step 5d