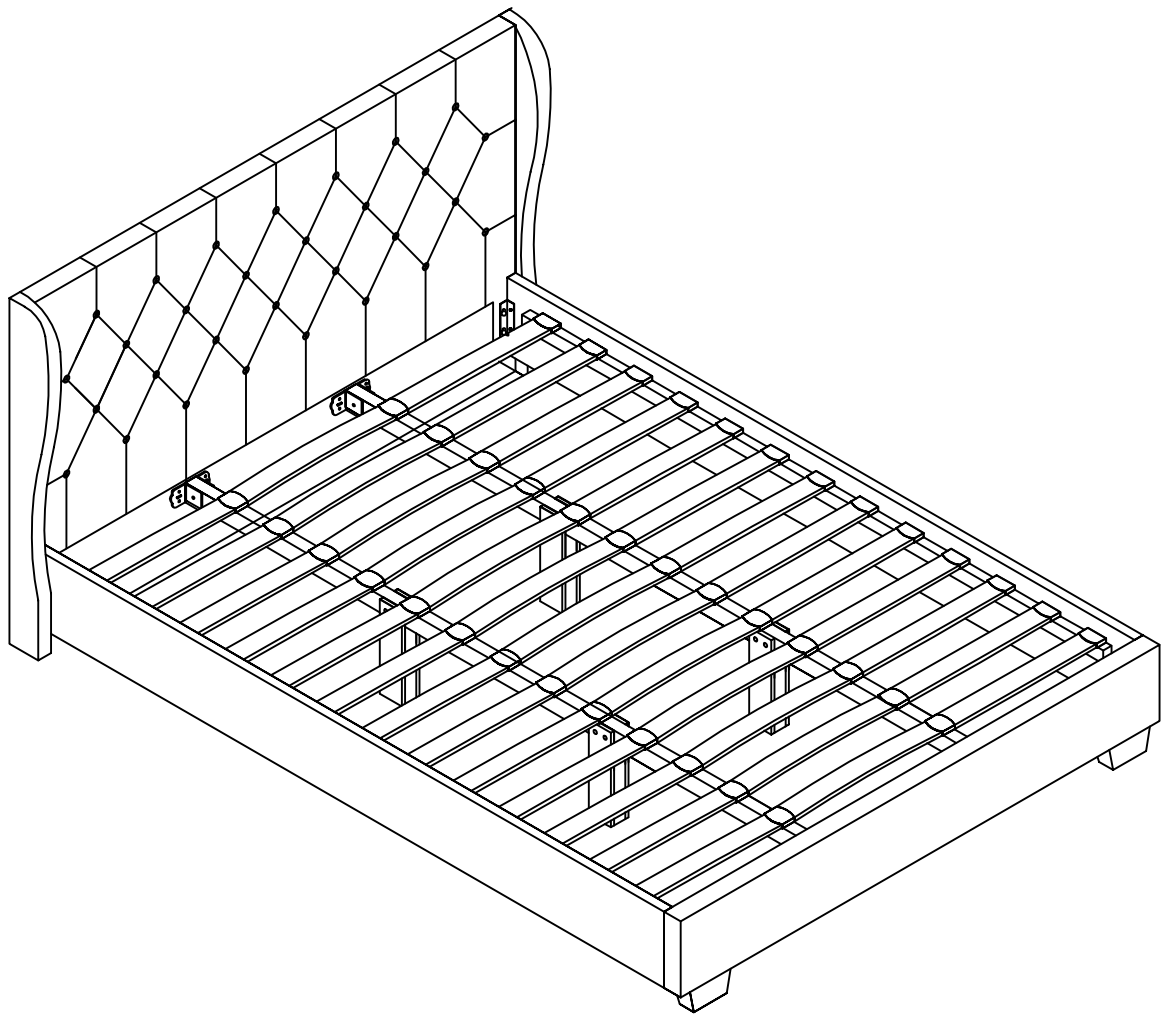
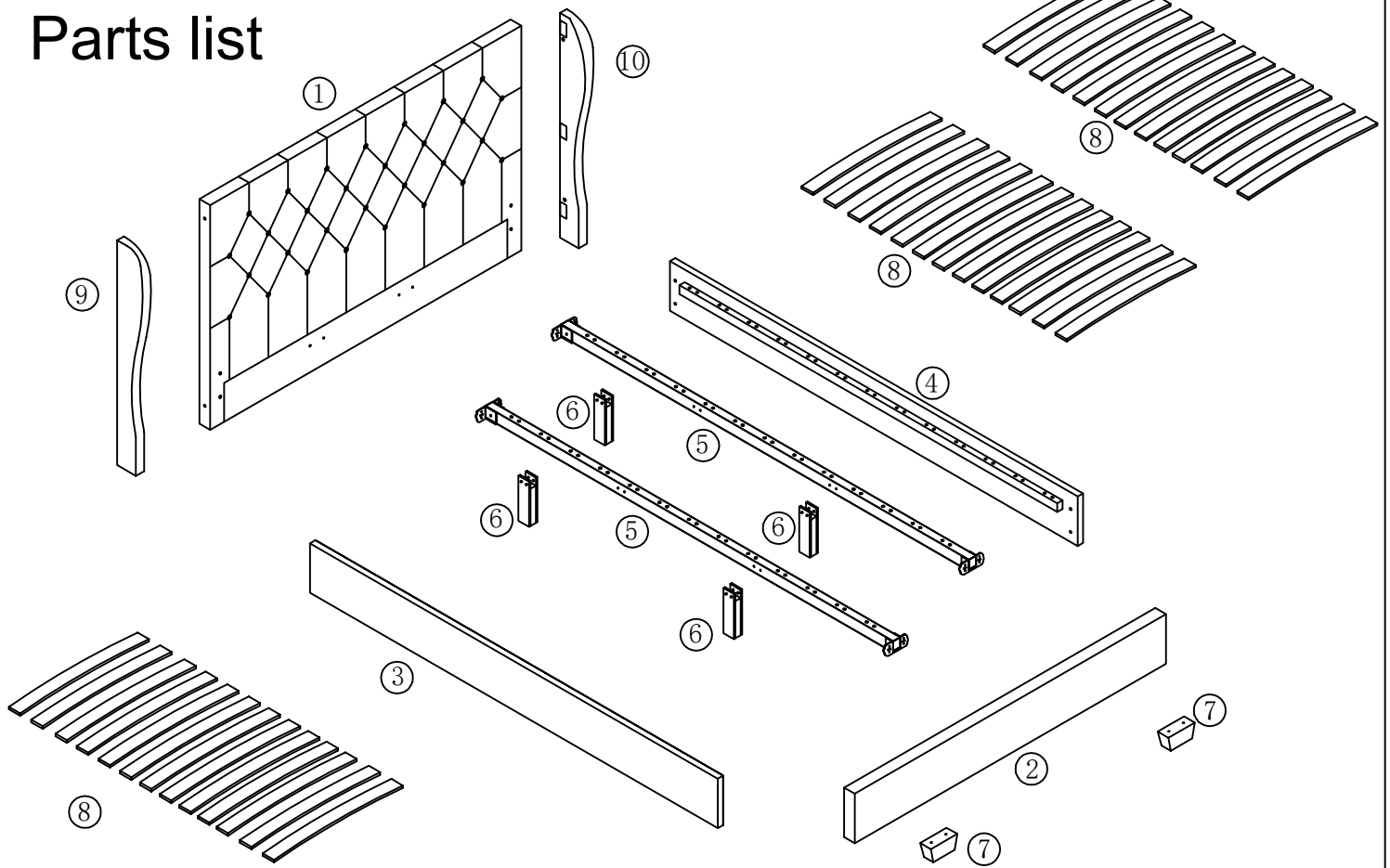


WIMBLEDON KING BED ASSEMBLY INSTRUCTIONS



WIMBLEDON KING BED IS FOR DOMESTIC USE
AND STRICTLY NOT FOR CONTRACT USE.

Parts list





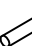


Hardware list

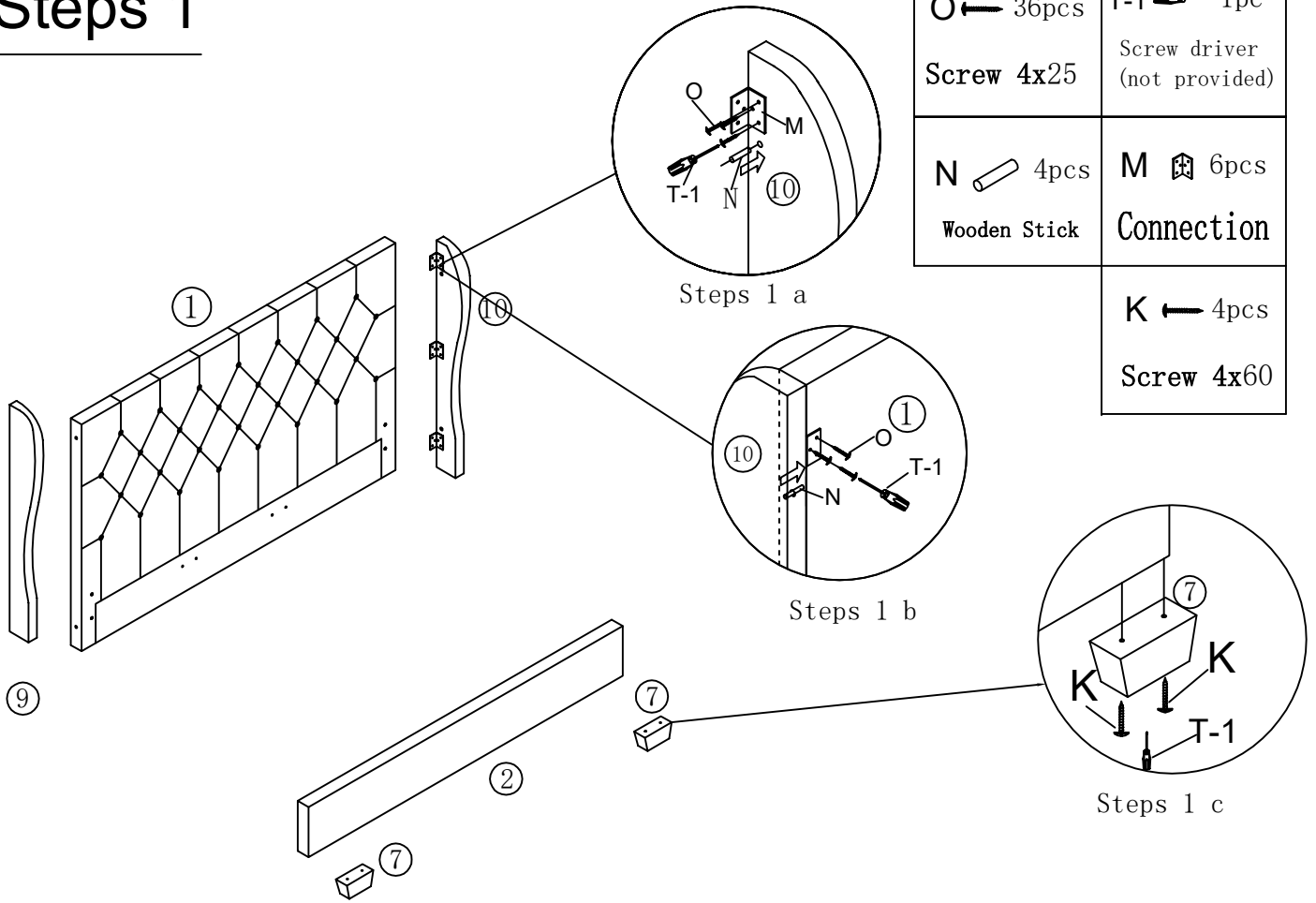
Label	Picture	Description	Qty	Label	Picture	Description	Qty
A		Single Plastic CAP	26	H		Bolt M8x65	8
B		Double Plastic CAP	26	I		Bolt M6x20	8
C		Metal Frame "U"	4	J		Screw 3.5x15	8
D		Bolt M8x25	16	K		Screw 4x60	4
E		Spring Washer	16	L		Connection Plate Left	2
F		Washer M8	16	R		Connection Plate Right	2
G		NUT	8	M		Connection	6
N		Wooden Stick	4	O		Screw 4x25	36

Tool list


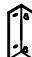




Label	Picture	Description	Qty
T-1		Screw driver (not provided)	1
T-2		Allen key M5	1
T-3		Allen key M4	1
T-4		SPANNER	1

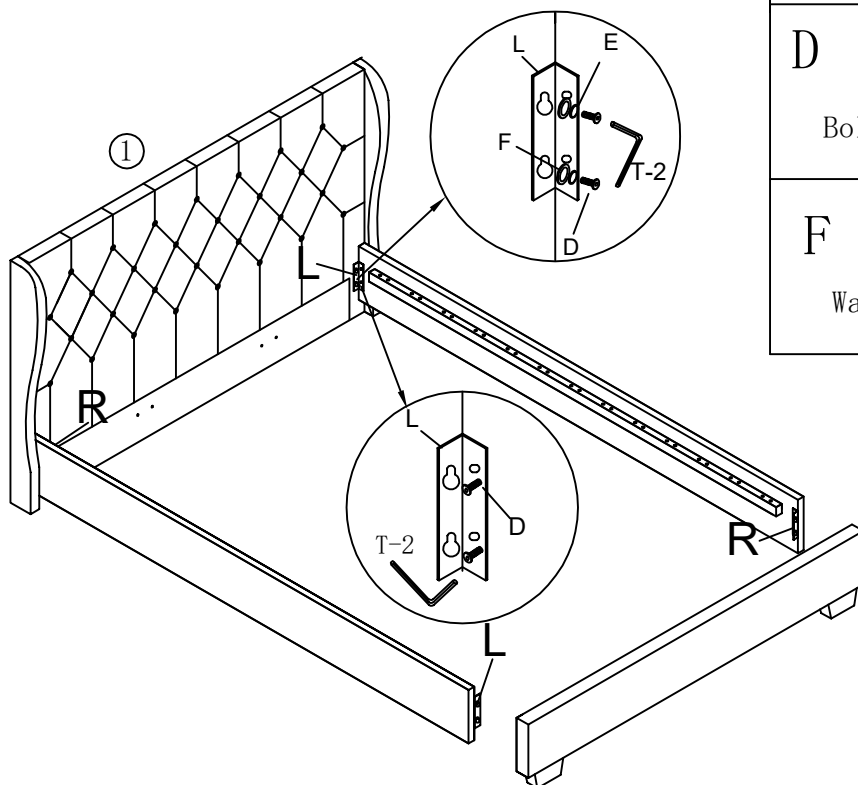
Steps 1

O  36pcs	T-1  1pc
Screw 4x25	Screw driver (not provided)
N  4pcs	M  6pcs
Wooden Stick	Connection
K  4pcs	Screw 4x60













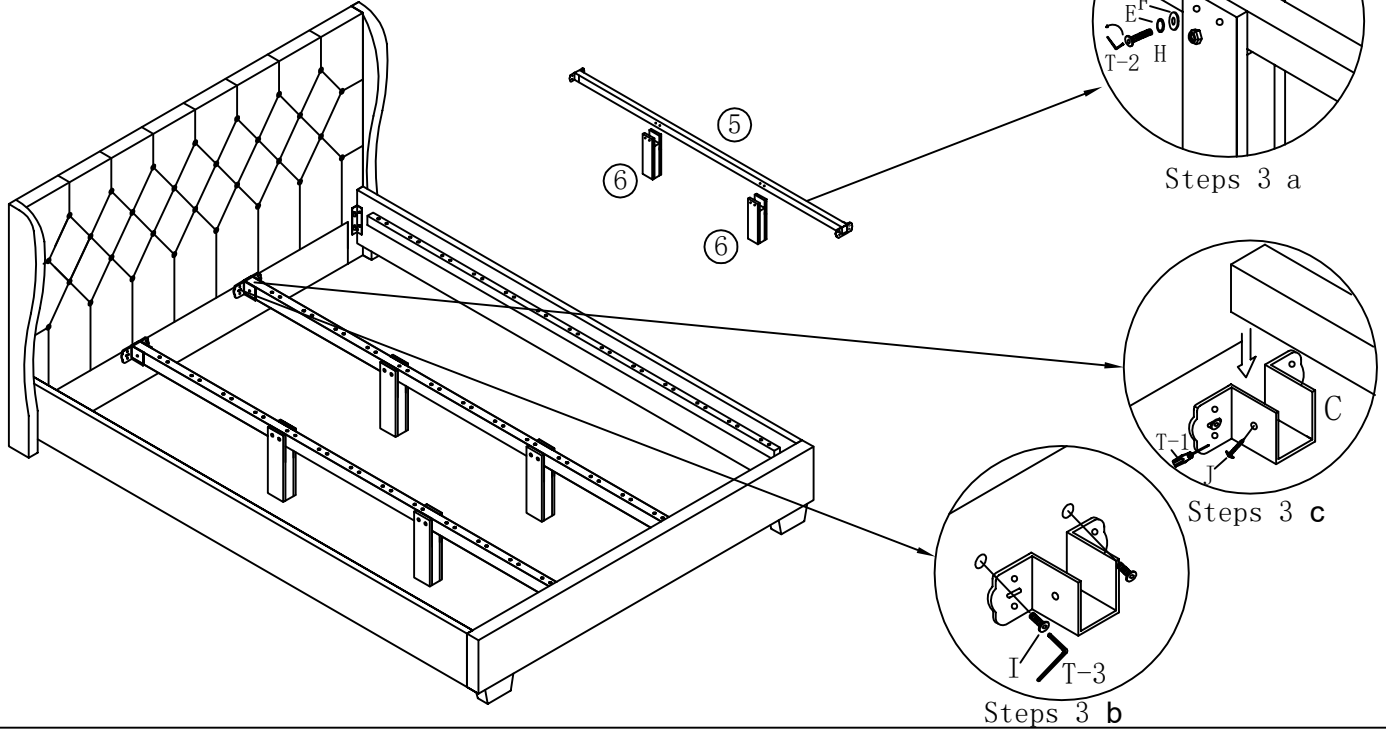
Steps 2

L  2pcs	R  2pcs
Connection Plate Left	Connection Plate Right
D  16pcs	E  8pcs
Bolt M8x25	Spring Washer
F  8pcs	T-2  1pcs
Washer M8	Allen key 5#





Steps 3

E  8pcs Spring Washer	F  8pcs Washer M8	G  8pcs NUT	H  8pcs BOLT M8x65	I  8pcs BOLT M6x20
J  8pcs Screw 3.5x15	C  4pcs METAL FRAME "U"	T-2  1pcs Allen key 5#	T-3  1pcs Allen key 4#	T-4  1pcs Spanner



Steps 4

A  26pcs Single Plastic CAP	B  26pcs Double Plastic CAP
---	---

