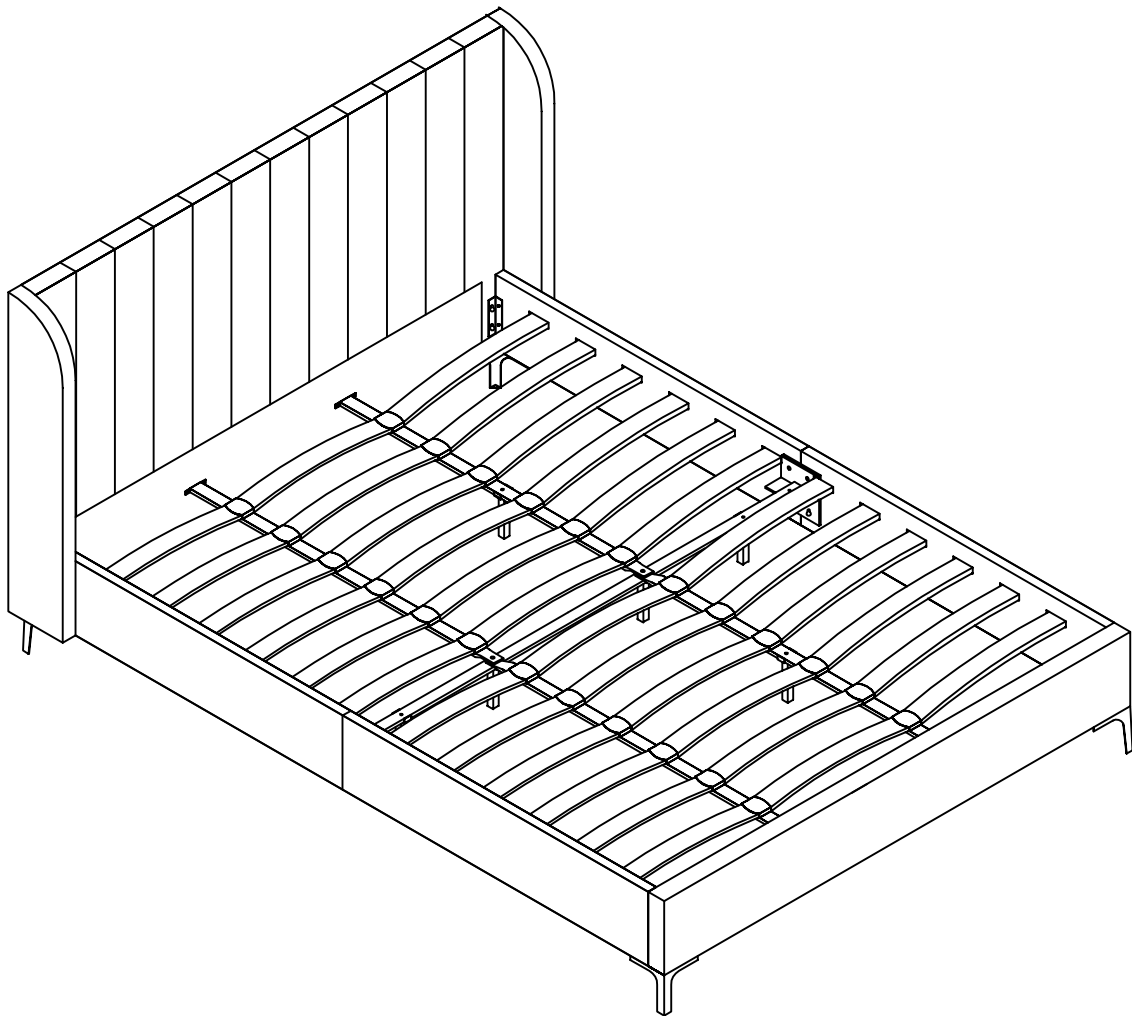
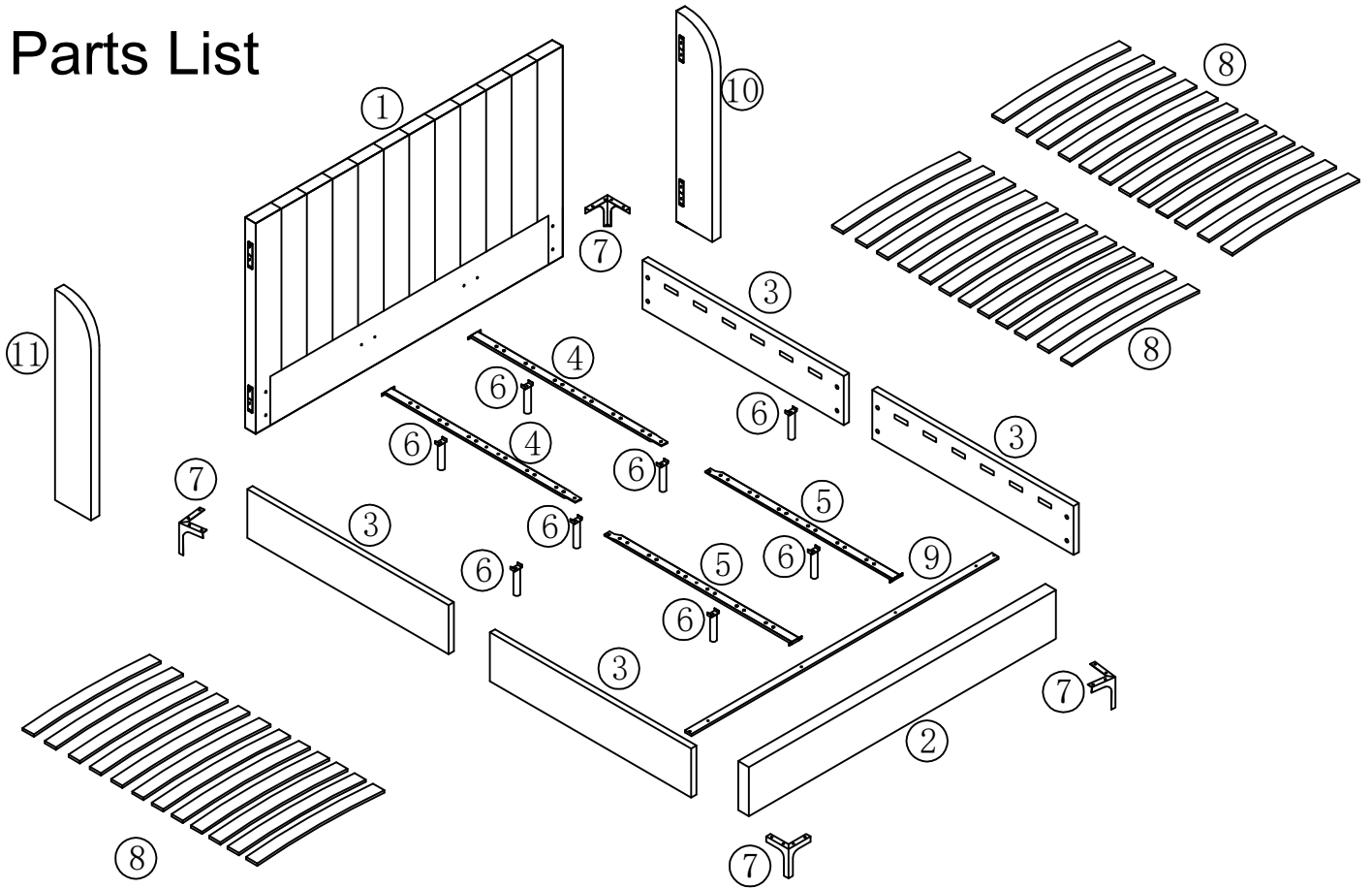


# HERMAN KING BED ASSEMBLY INSTRUCTIONS



HERMAN KING BED IS FOR DOMESTIC USE  
**AND STRICTLY NOT FOR CONTRACT USE.**

# Parts List



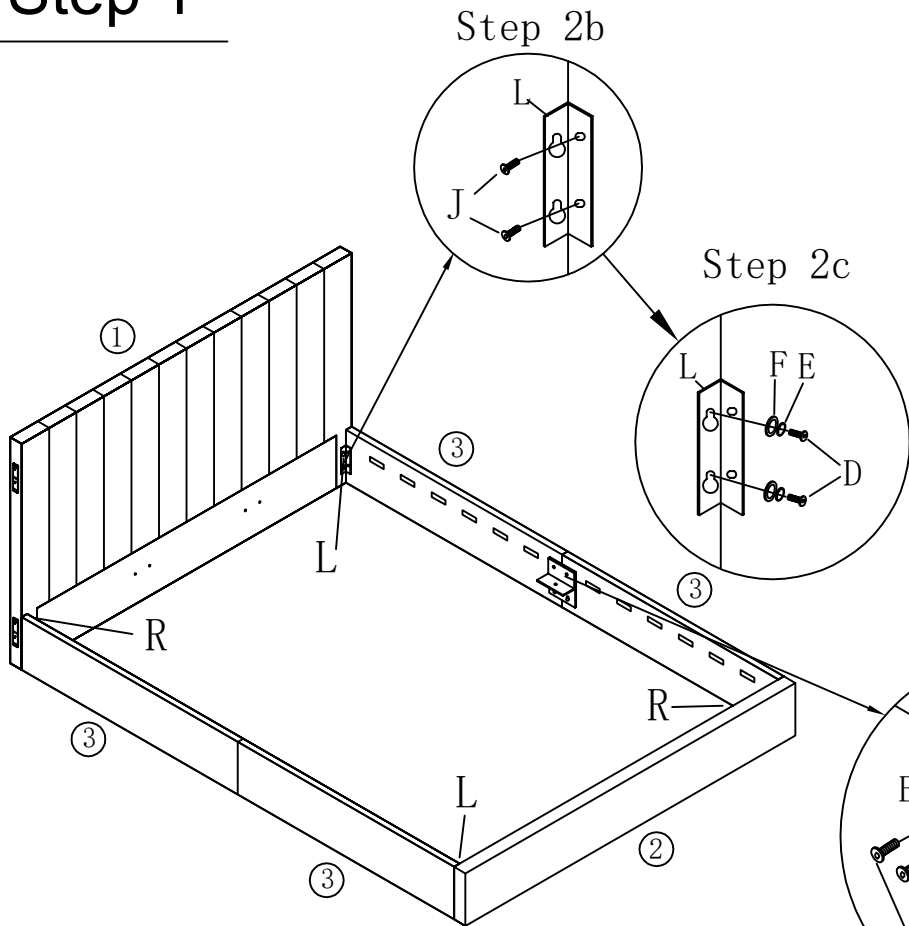
# Hardware List









Label	Picture	Description	Qty	Label	Picture	Description	Qty
A		Double Plastic Cap	24	H		Bolt M6x35	2
B		L Bracket Plate	2	I		Bolt M6x25	8
C		Connection	2	J		Bolt M6x20	24
D		Bolt M8x25	8	K		Screw 4x25mm	16
E		Spring Washer	8	L		Connection Plate Left	2
F		Washer M8	12	R		Connection Plate Right	2
G		Nut M6	2				

# Tool List

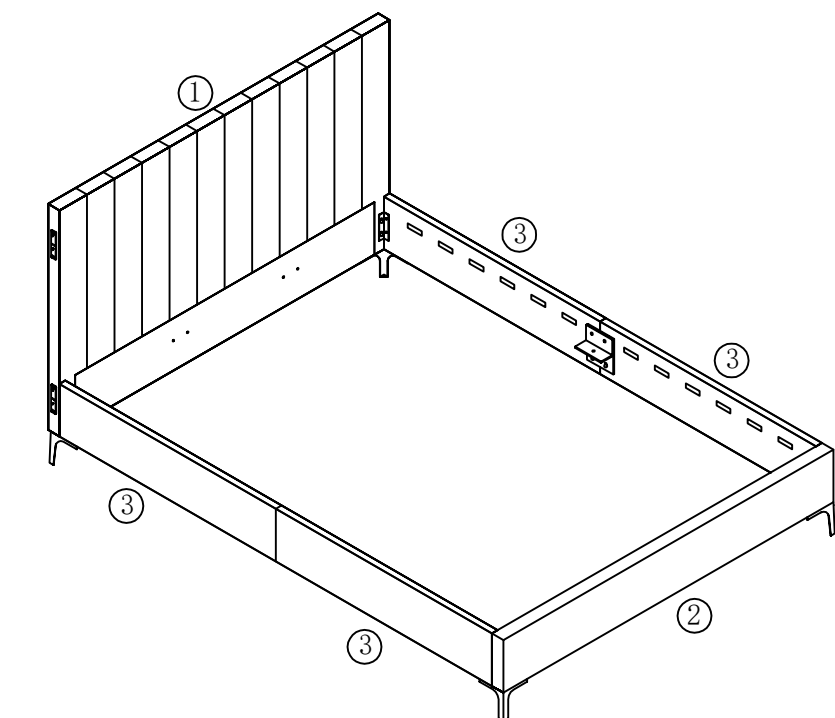
Label	Picture	Description	Qty
T-1		Screw driver (not provided)	1
T-2		Allen key M5	1
T-3		Allen key M4	1
T-4		Spanner	1

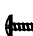
# Step 1

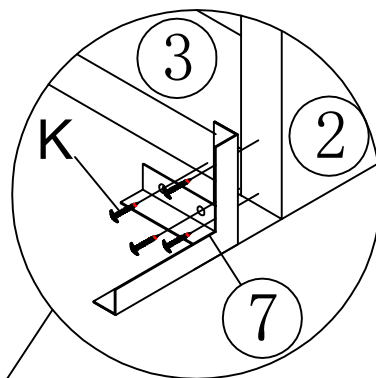


L  2pcs Connection Plate Left	R  2pcs Connection Plate Right
D  8pcs Bolt M8x25	E  8pcs Spring Washer
F  12pcs Washer M8	J  16pcs Bolt M6x20
C  2pcs Connection	B  2pcs L Bracket Plate





# Step 2



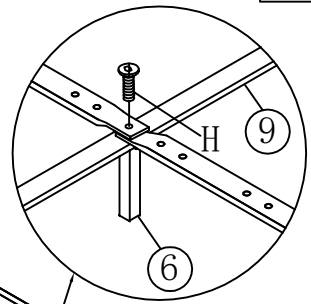
K  16pcs Screw 4x25mm
---



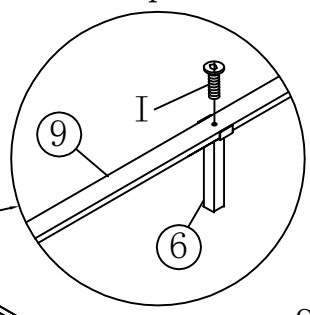
# Step 3

H  2pcs	G  2pcs	I  8pcs
Bolt M6x35	Nut M6	Bolt M6x25
		J  8pcs
		Bolt M6x20

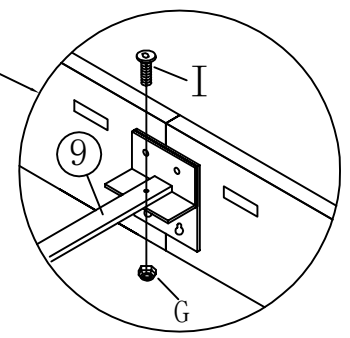
Step 3c



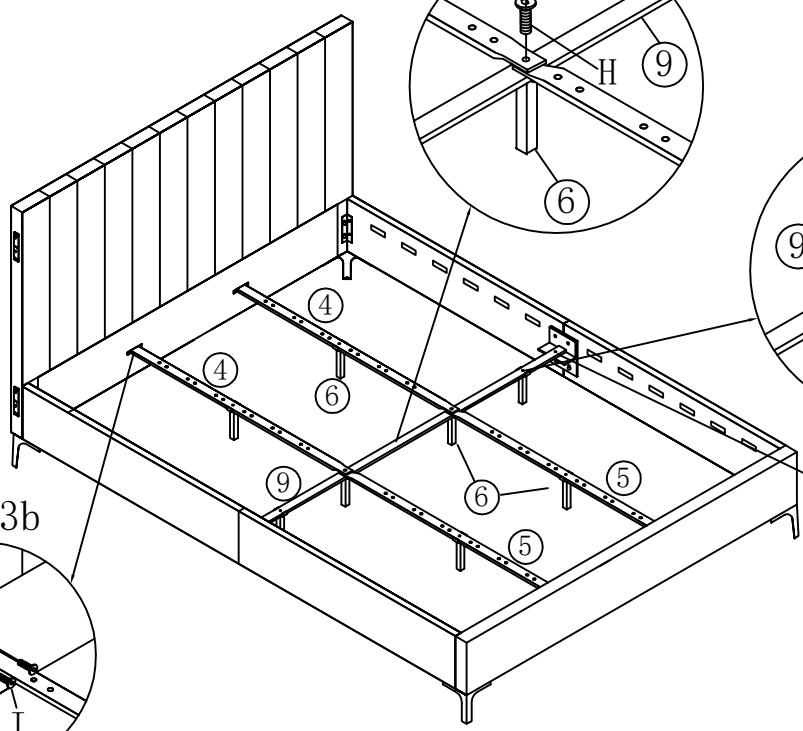
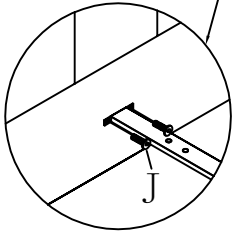
Step 3d




Step 3a

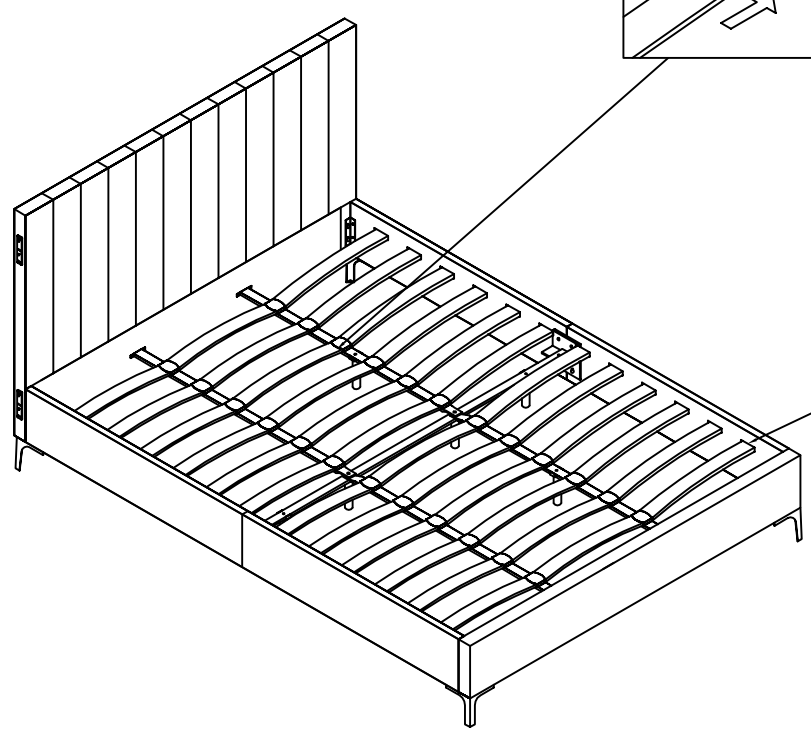
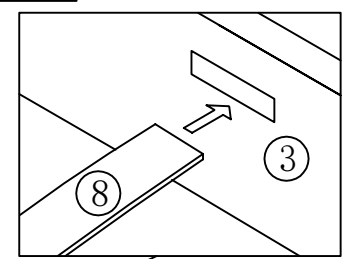
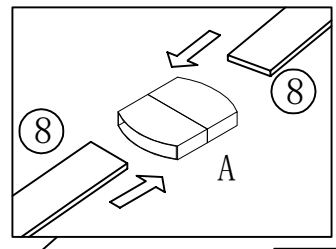


Step 3b



# Step 4

A  24pcs
Double Plastic Cap



# Step 5

