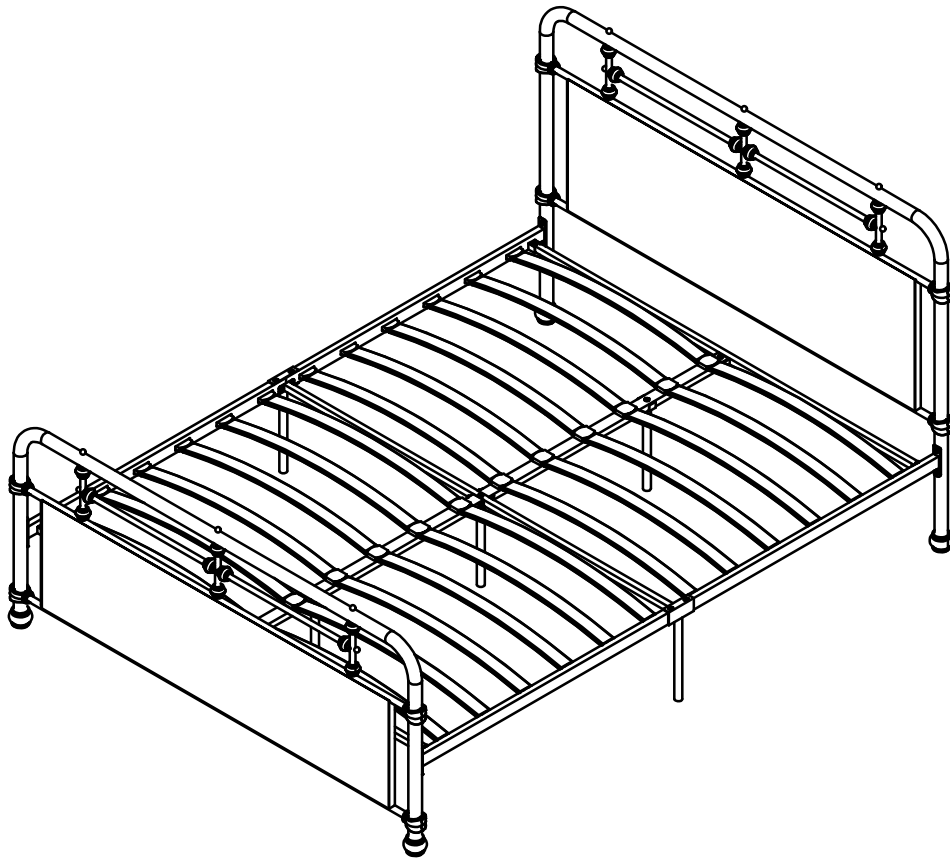


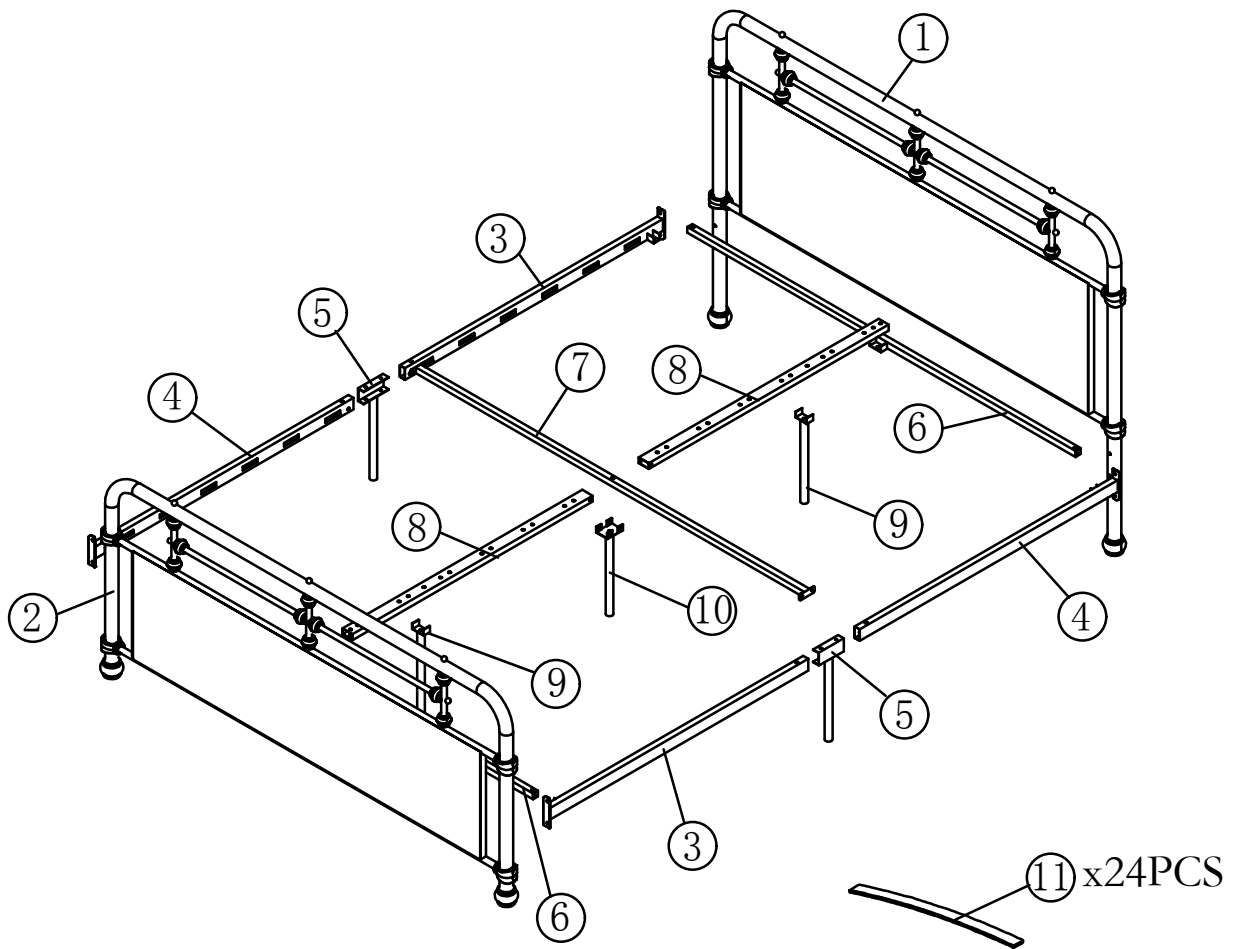
RUSTIC METAL BED ASSEMBLY INSTRUCTIONS













Warning

*These beds are for Adults use only
Not for babies / Toddler / Young children.*

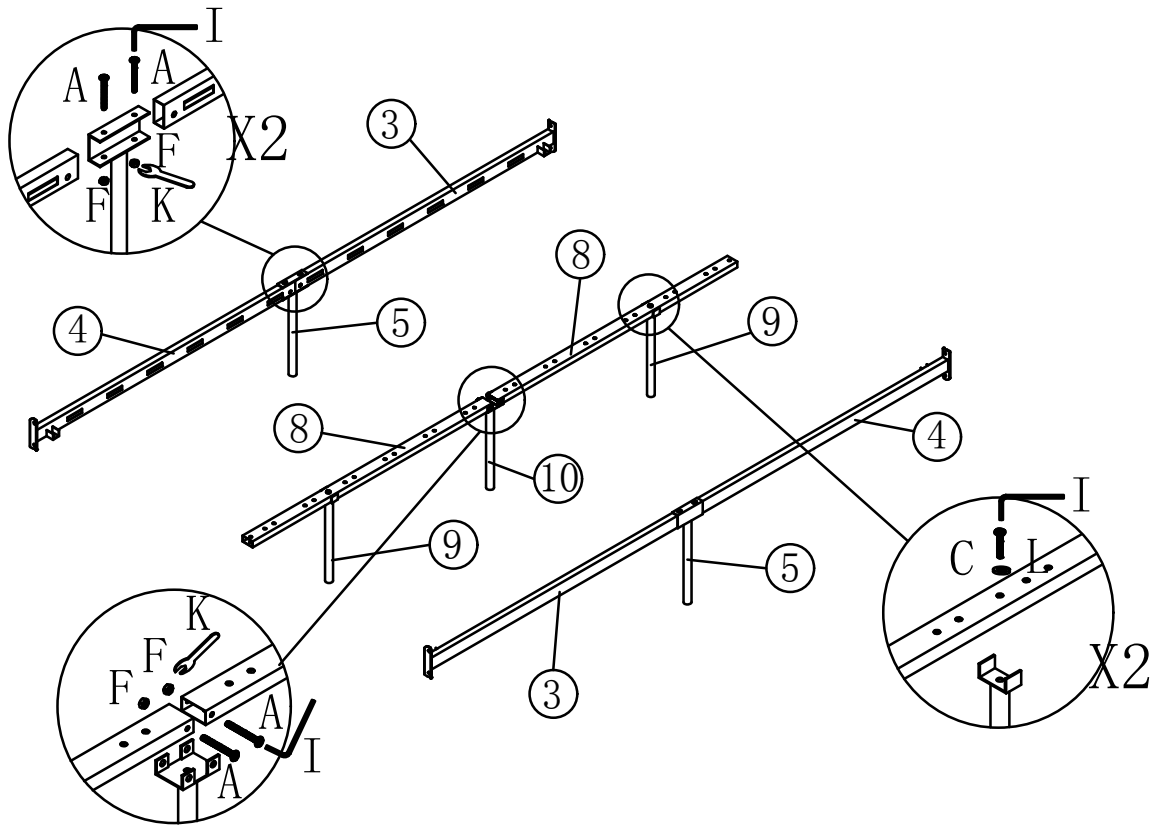


Remarks: Two adults are required to assemble this bed.

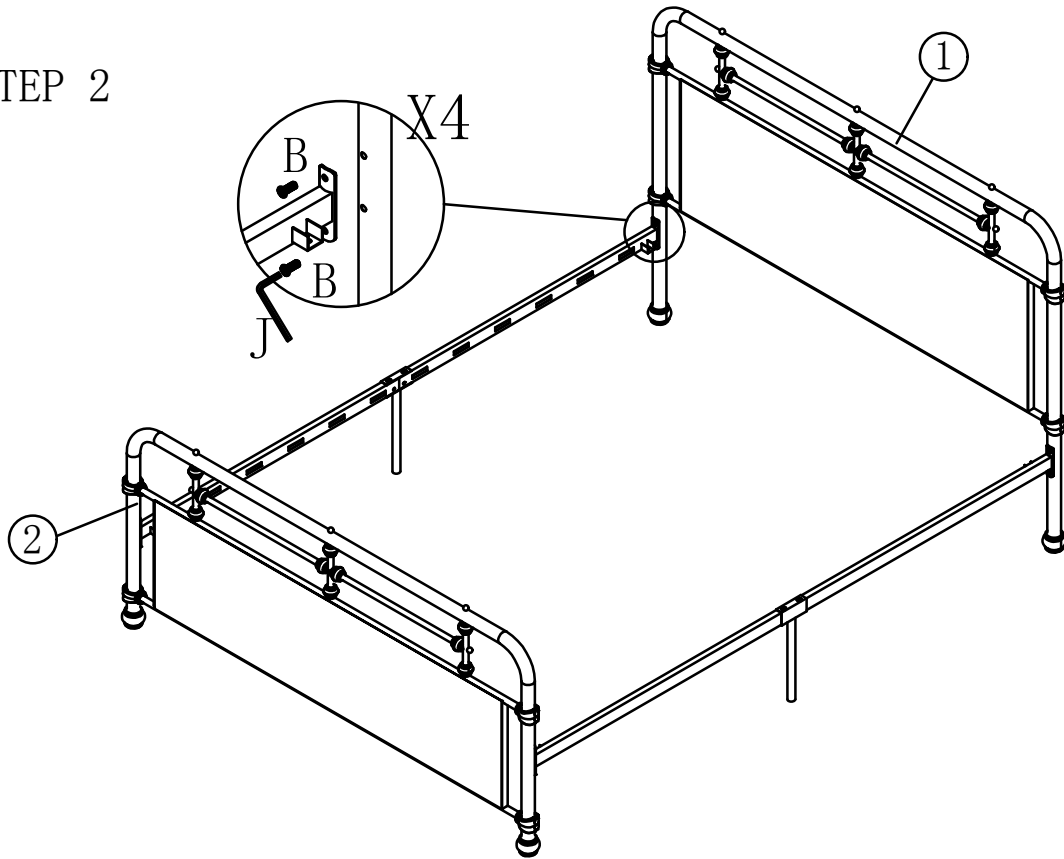


<p>A</p>  <p>M6*52MM 6PCS</p>	<p>B</p>  <p>M8*20 8PCS</p>	<p>C</p>  <p>M6*35 3PCS</p>	<p>D</p>  <p>M6*30 6PCS</p>	<p>E</p>  <p>M6*12 4PCS</p>	<p>F</p>  <p>M6 12PCS</p>
<p>G</p>  <p>24PCS</p>	<p>H</p>  <p>12PCS</p>	<p>I</p>  <p>M4 1PCS</p>	<p>J</p>  <p>M5 1PCS</p>	<p>K</p>  <p>M6 1PCS</p>	<p>L</p>  <p>∅16*6.5 3PCS</p>

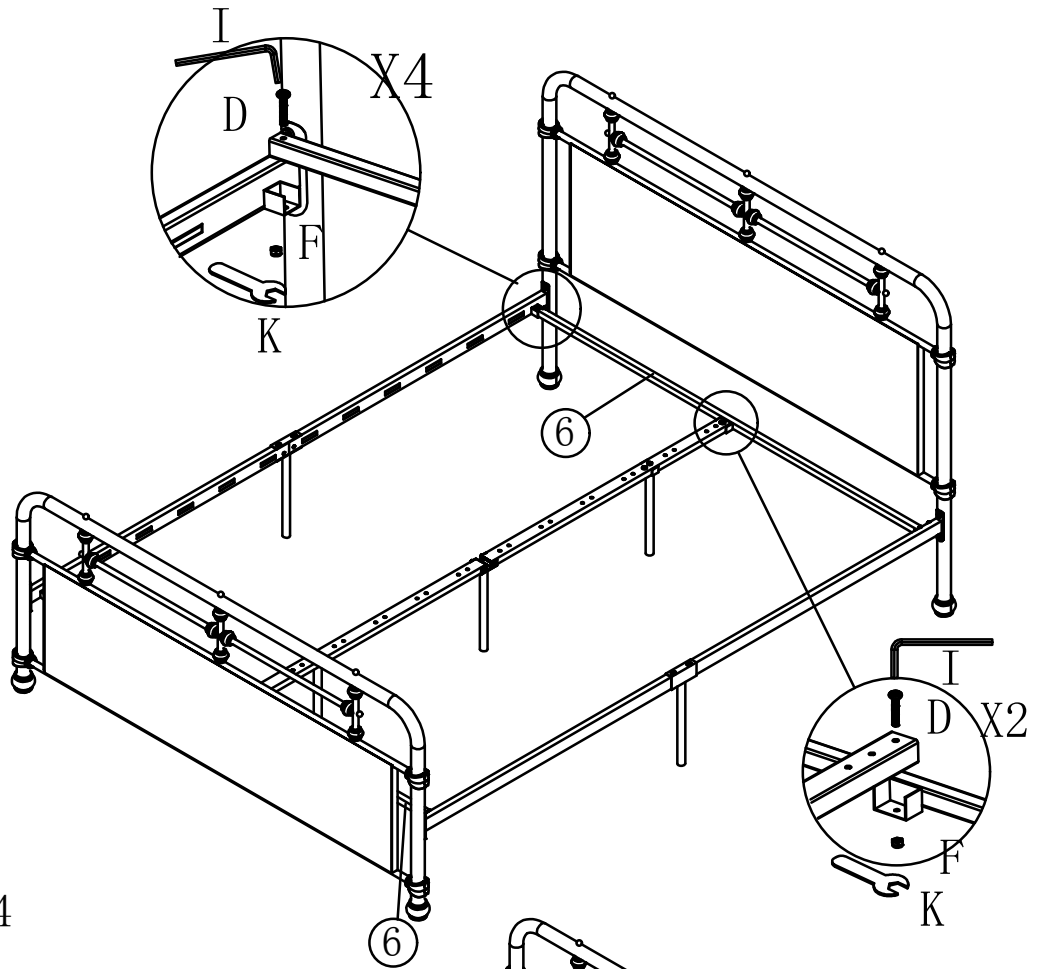
STEP 1



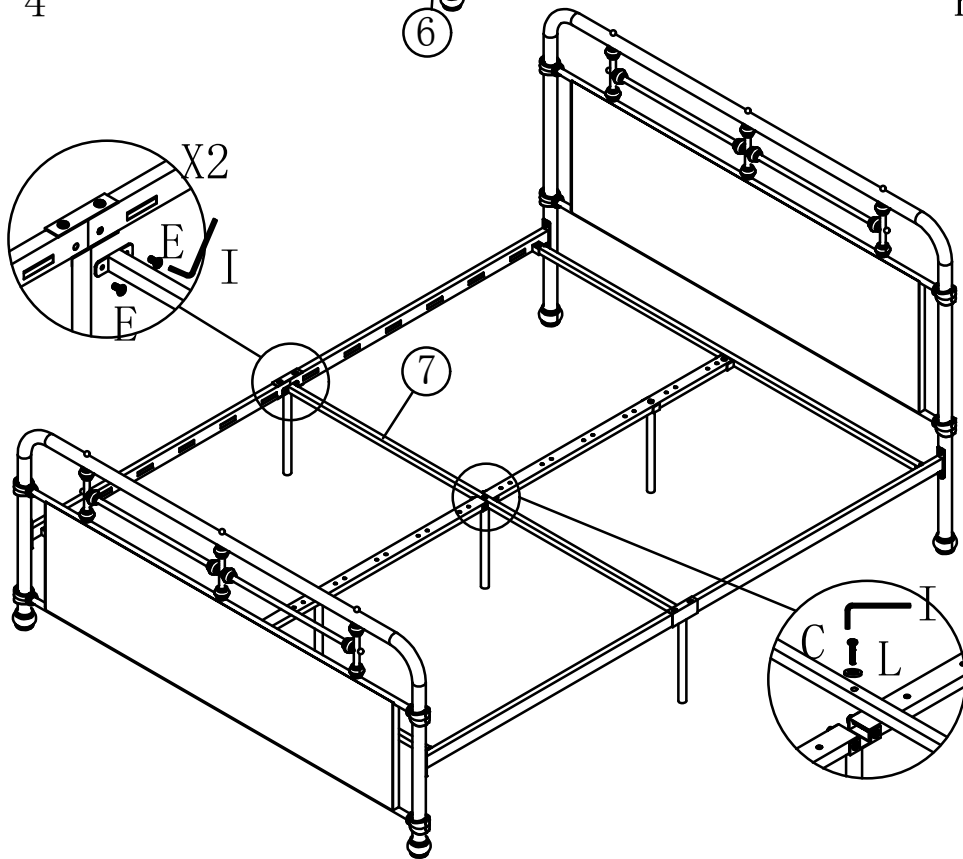
STEP 2



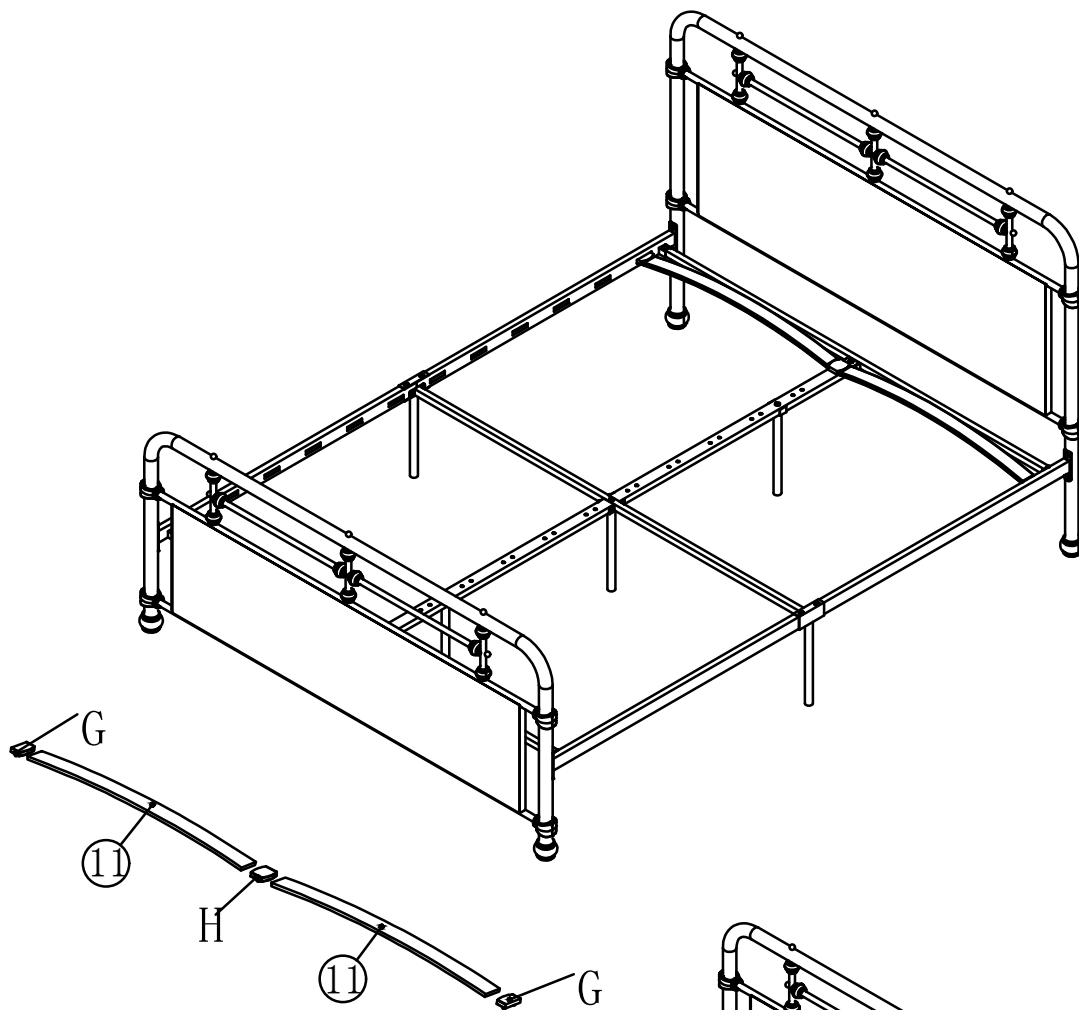
STEP 3



STEP 4



STEP 5



STEP 6

