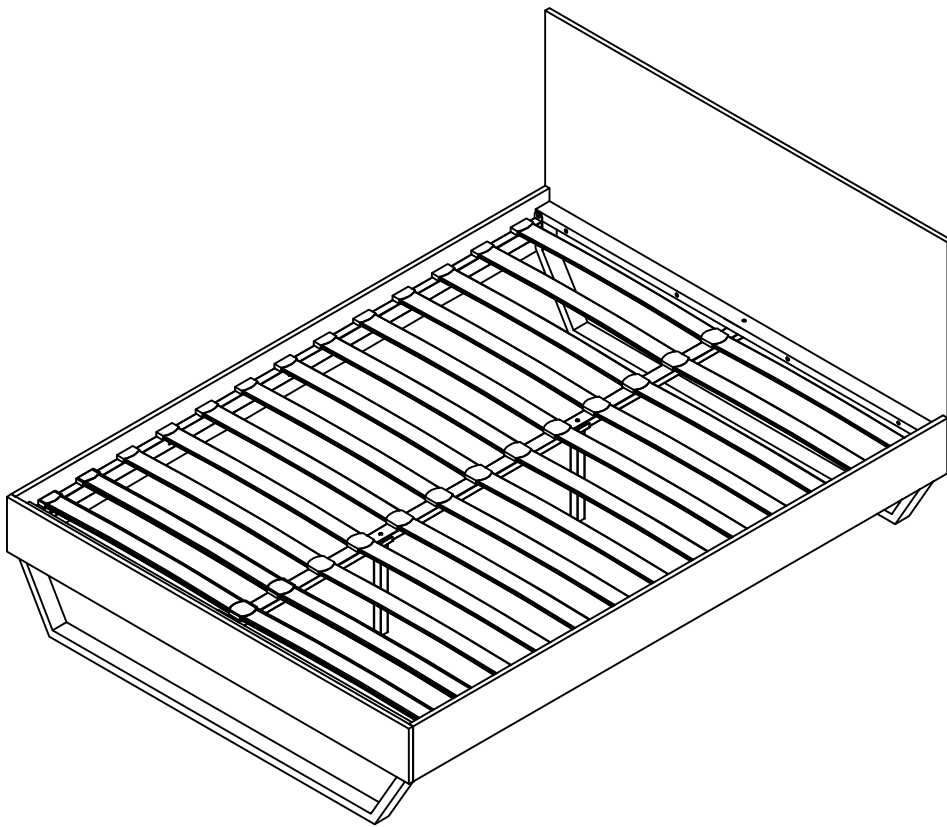
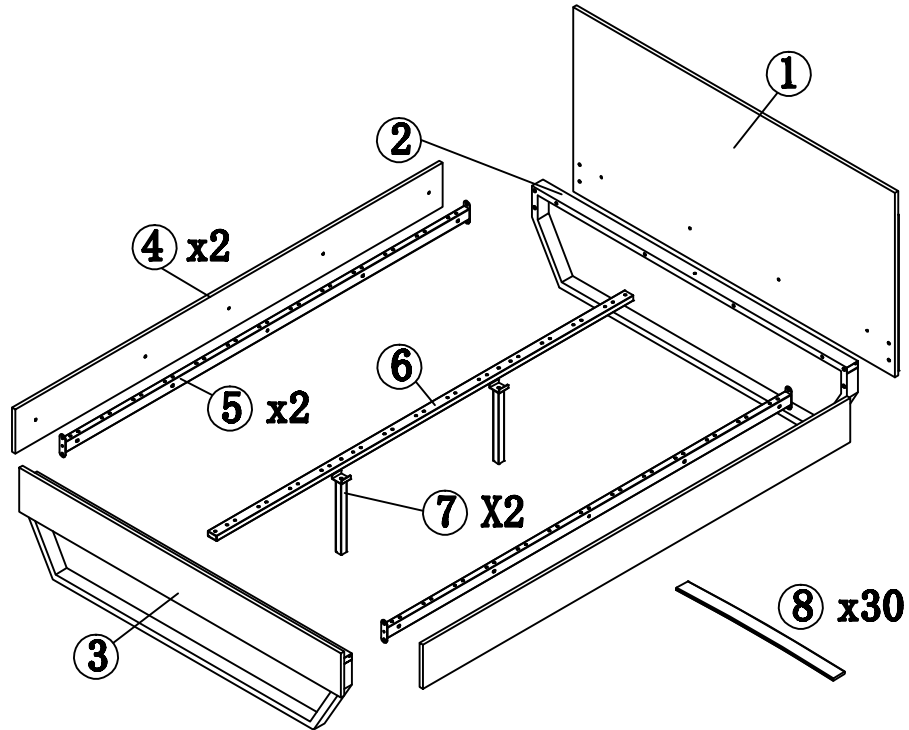


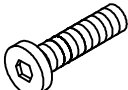

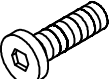
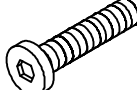
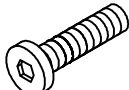
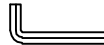
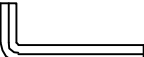
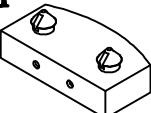
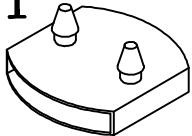
**WALDO METAL BED  
ASSEMBLY INSTRUCTIONS**




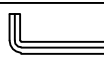
**Remarks: Two adults are required to assembly  
this bed**

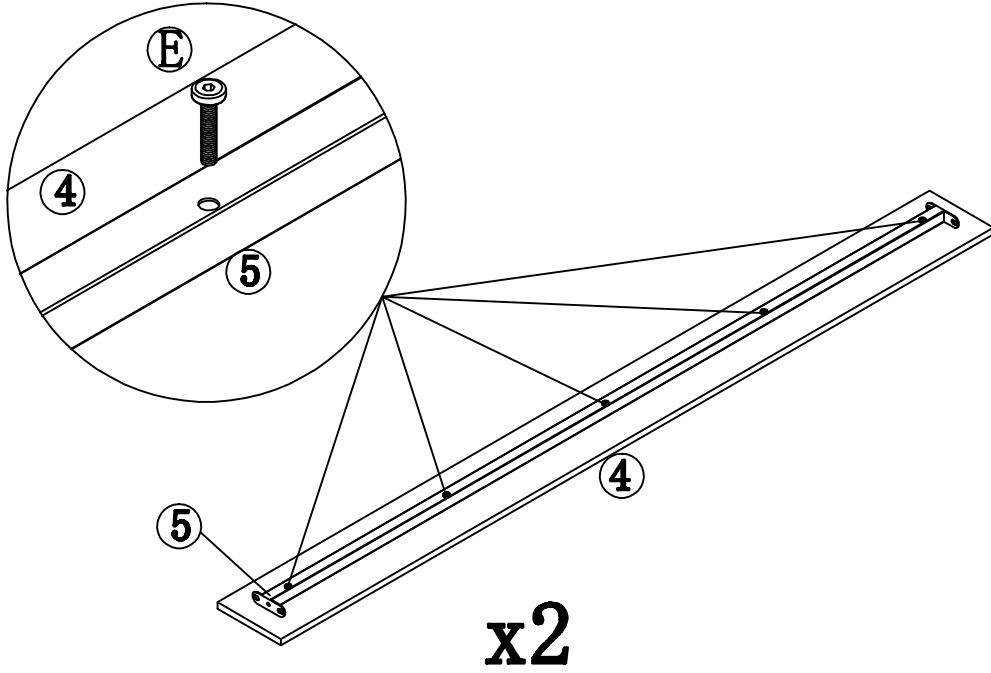


### HARDWARE


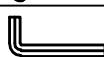
<p><b>A</b></p>  <p><b>M8x20MM</b> 8 PCS</p>	<p><b>B</b></p>  <p><b>M8x35MM</b> 4 PCS</p>	<p><b>C</b></p>  <p><b>M8x50MM</b> 4 PCS</p>	<p><b>D</b></p>  <p><b>M6x60MM</b> 4 PCS</p>	<p><b>E</b></p>  <p><b>M6x35MM</b> 10 PC</p>	<p><b>F</b></p>  <p><b>M4</b> 1 PC</p>
<p><b>G</b></p>  <p><b>M5</b> 1 PC</p>	<p><b>H</b></p>  <p><b>30 PCS</b></p>	<p><b>I</b></p>  <p><b>15 PCS</b></p>			

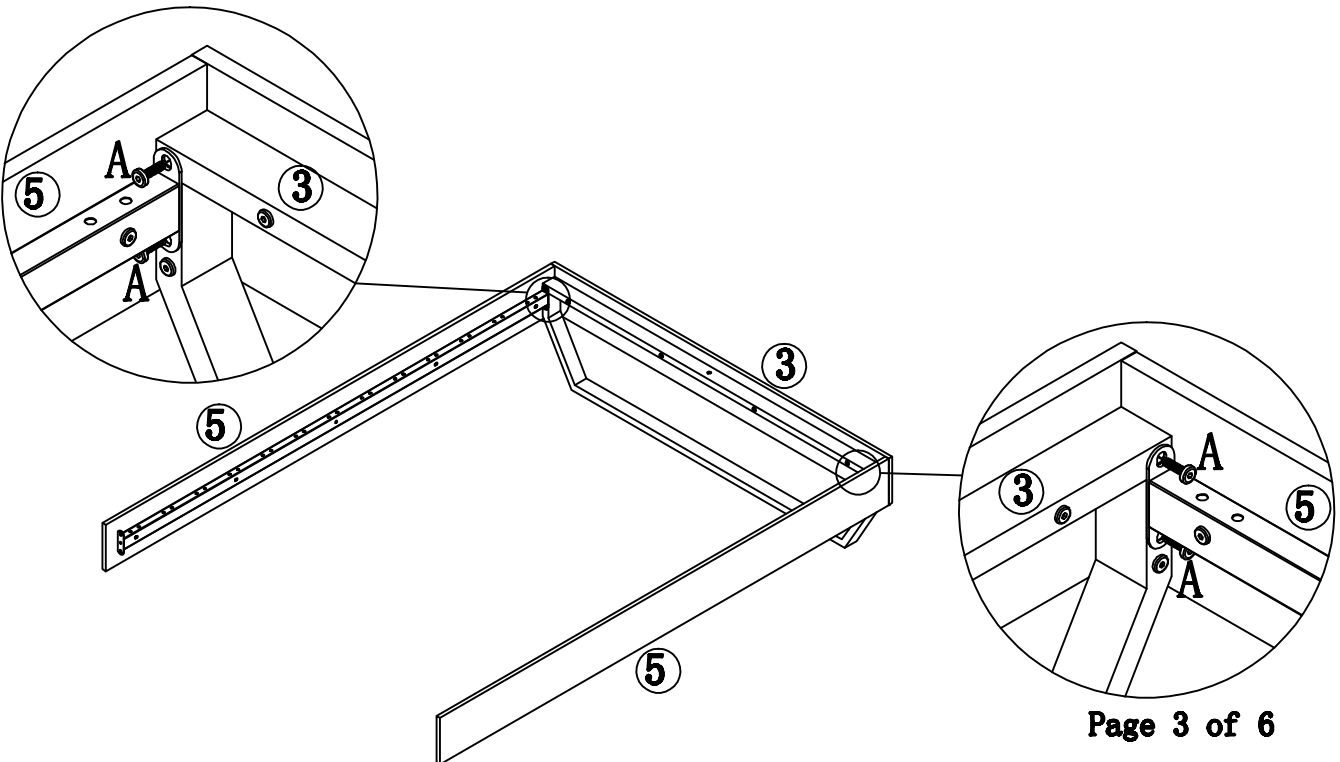
**STEP: 1**

E	 M6x35MM	10PCS
F	 5#	1 PC





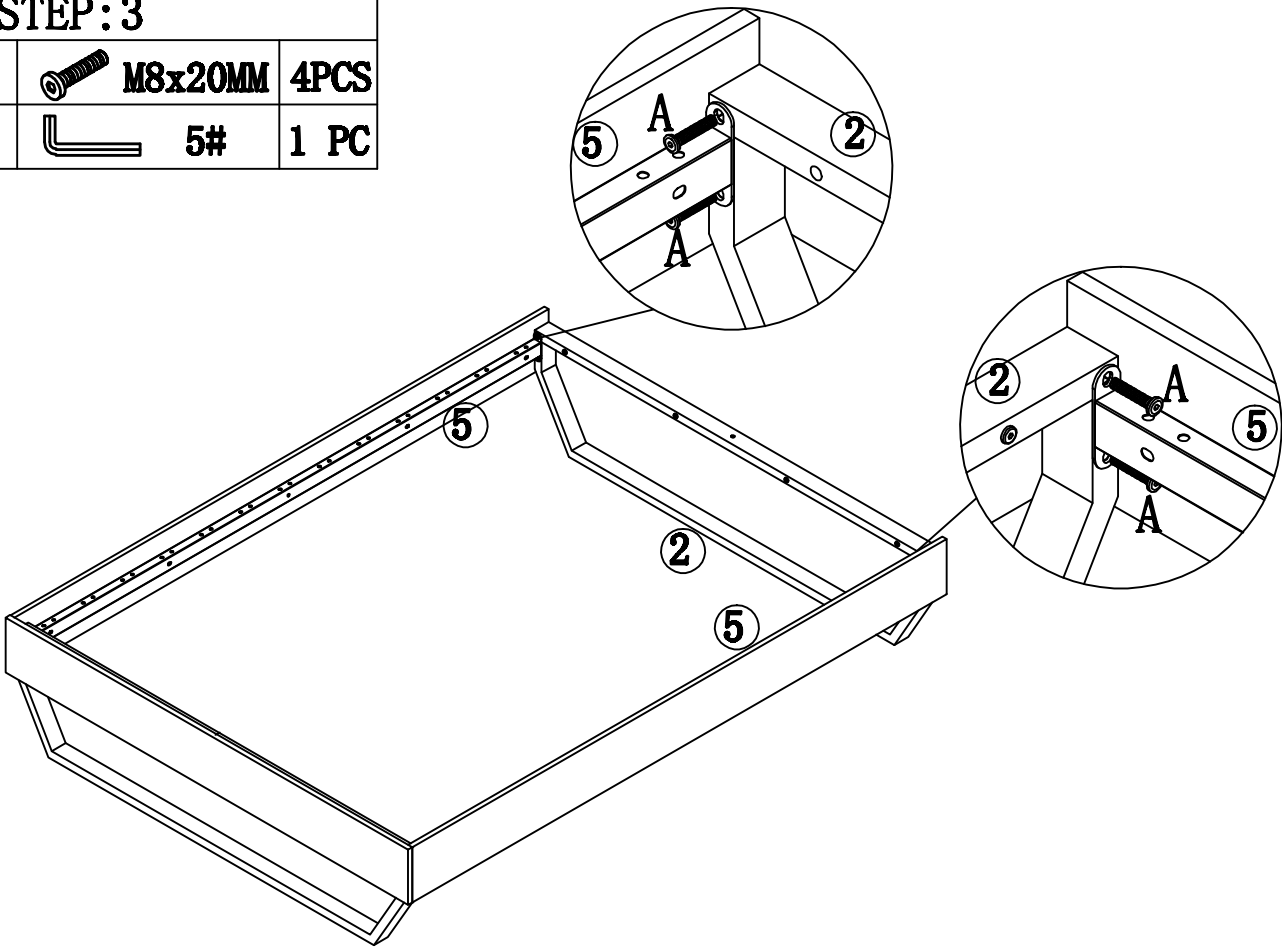
**STEP: 2**

A	 M8x20MM	4PCS
G	 5#	1 PC





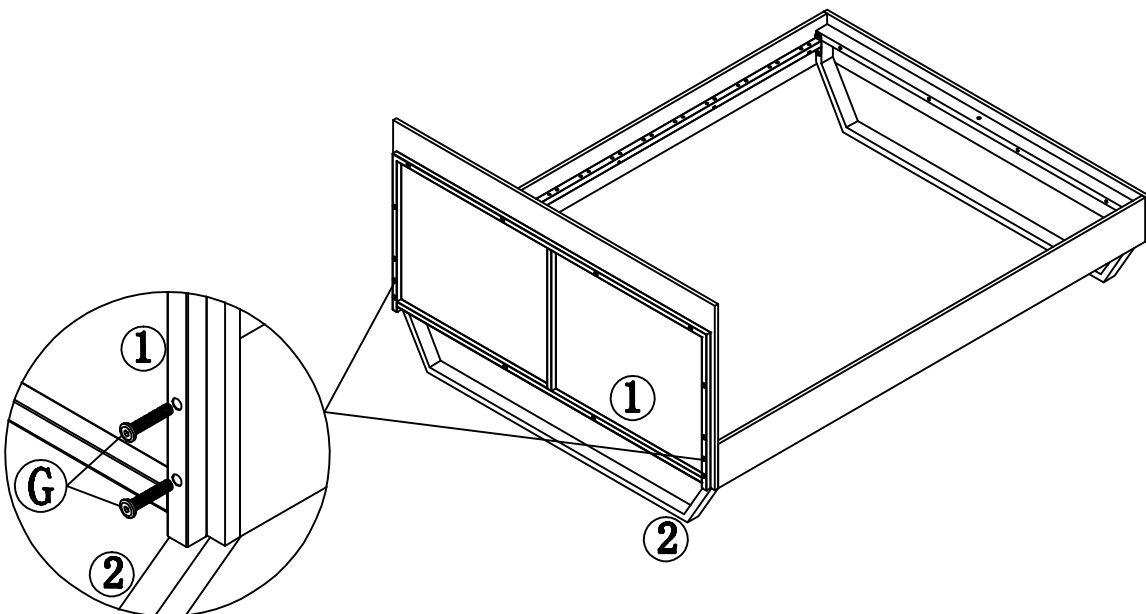
**STEP: 3**

A	 M8x20MM	4PCS
G	 5#	1 PC


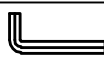


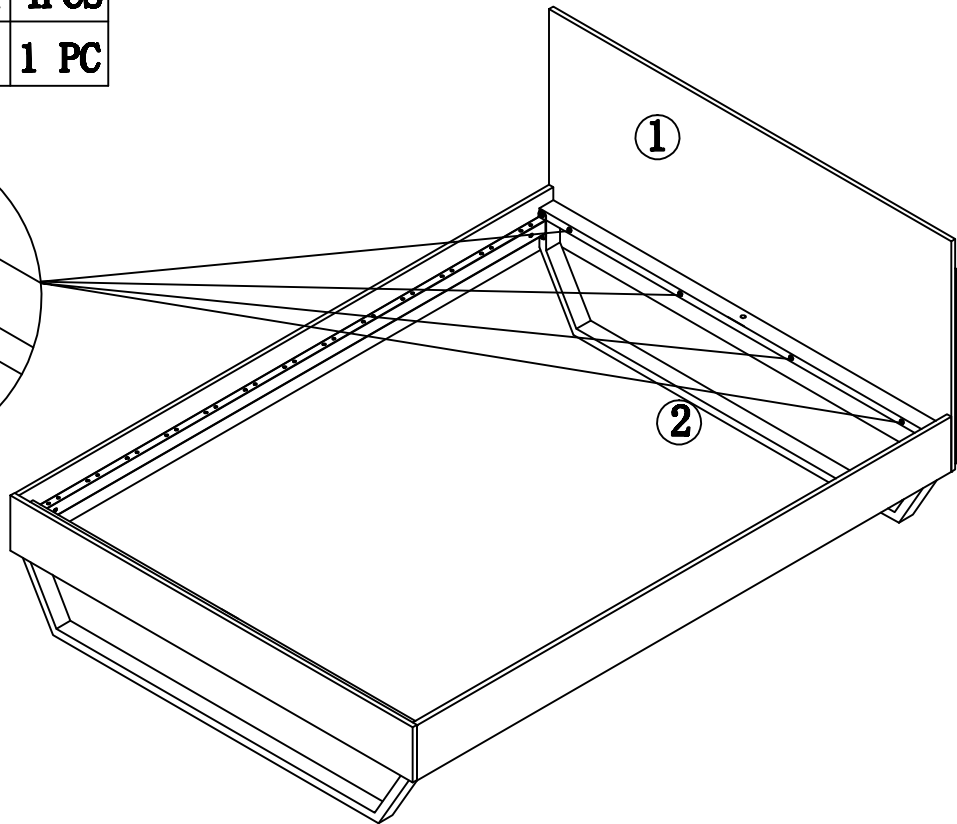
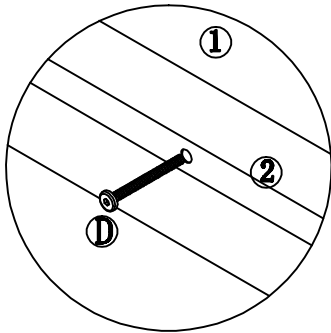
**STEP: 4**

C	 M8x50MM	4PCS
G	 5#	1 PC


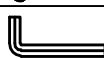


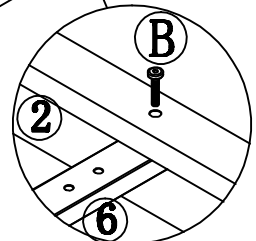
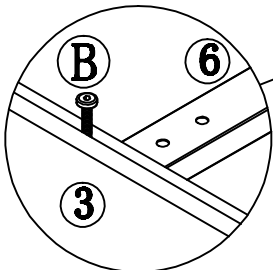
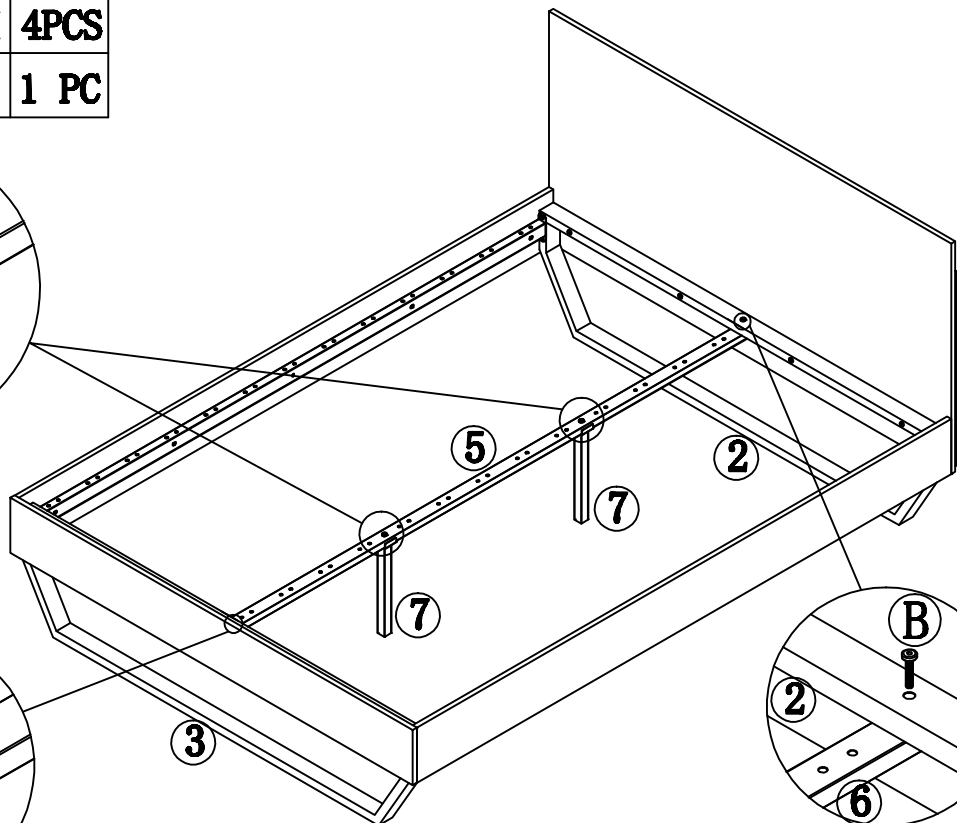
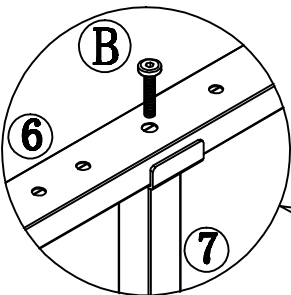
**STEP: 5**

D	 M6x60MM	4PCS
F	 4#	1 PC



**STEP: 6**

B	 M8x35MM	4PCS
G	 5#	1 PC



**STEP: 7**

