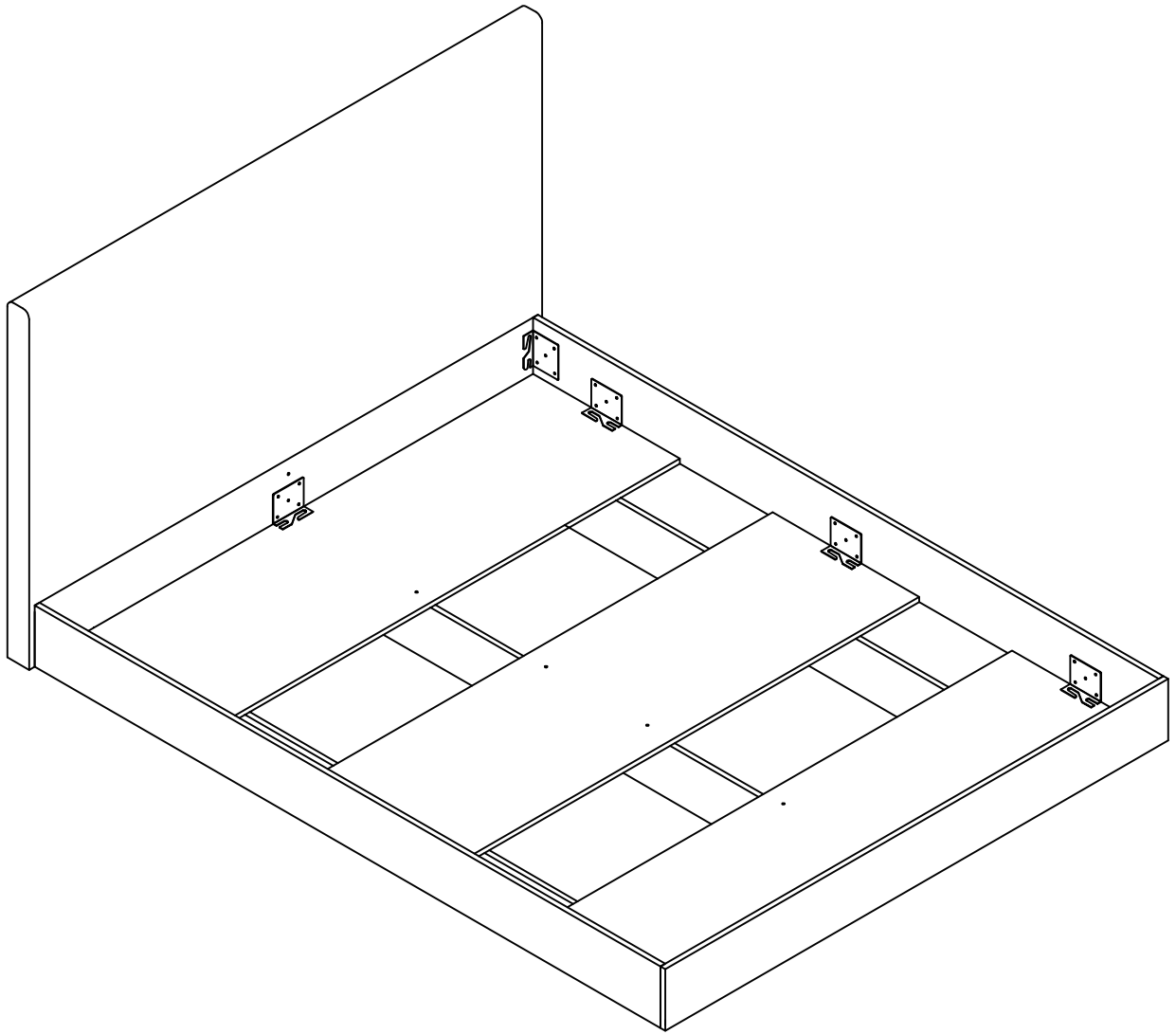
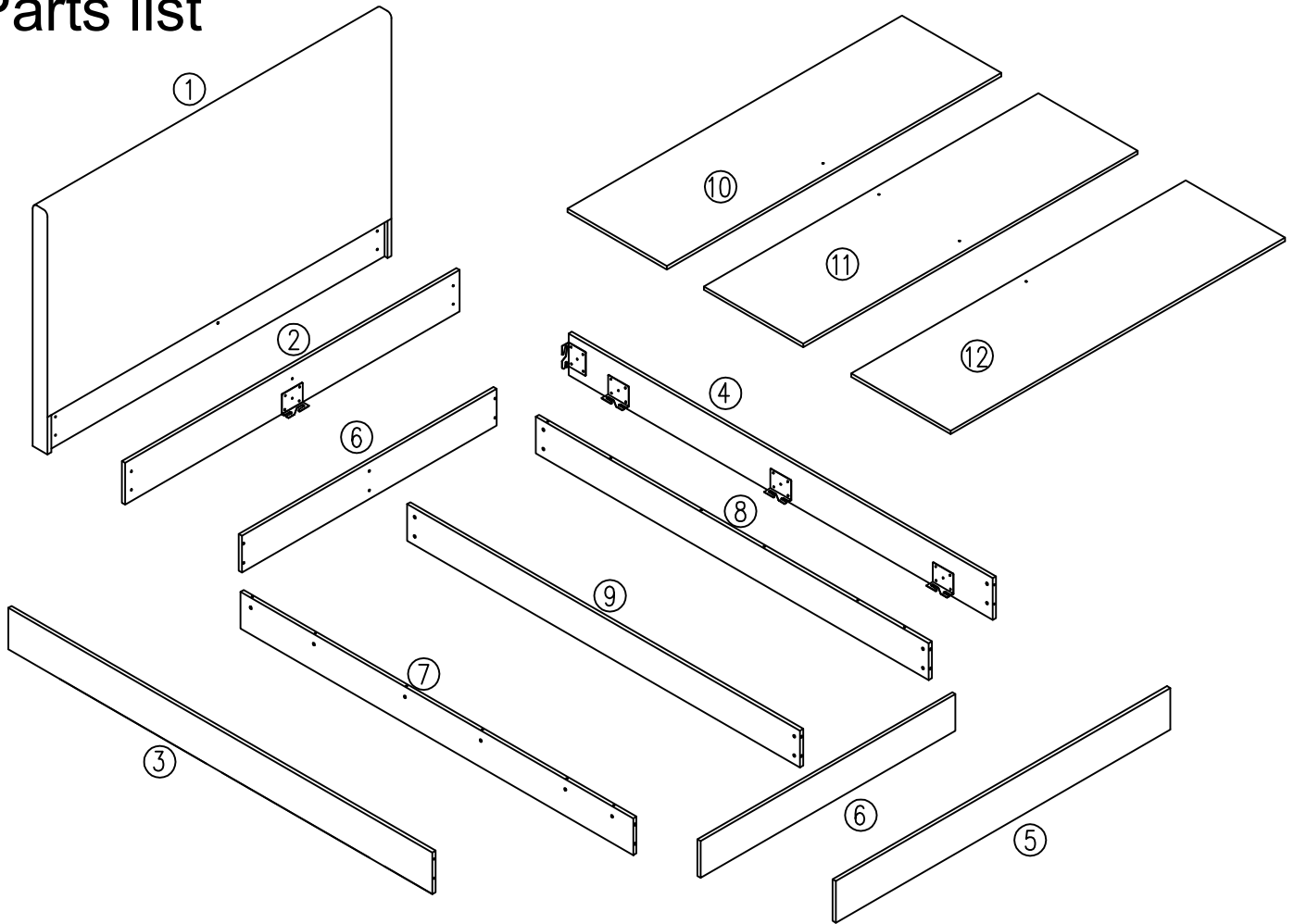


# CECILION BED ASSEMBLY INSTRUCTIONS



**CECILION BED IS FOR DOMESTIC USE  
AND STRICTLY NOT FOR CONTRACT USE.**

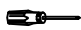

## Parts list



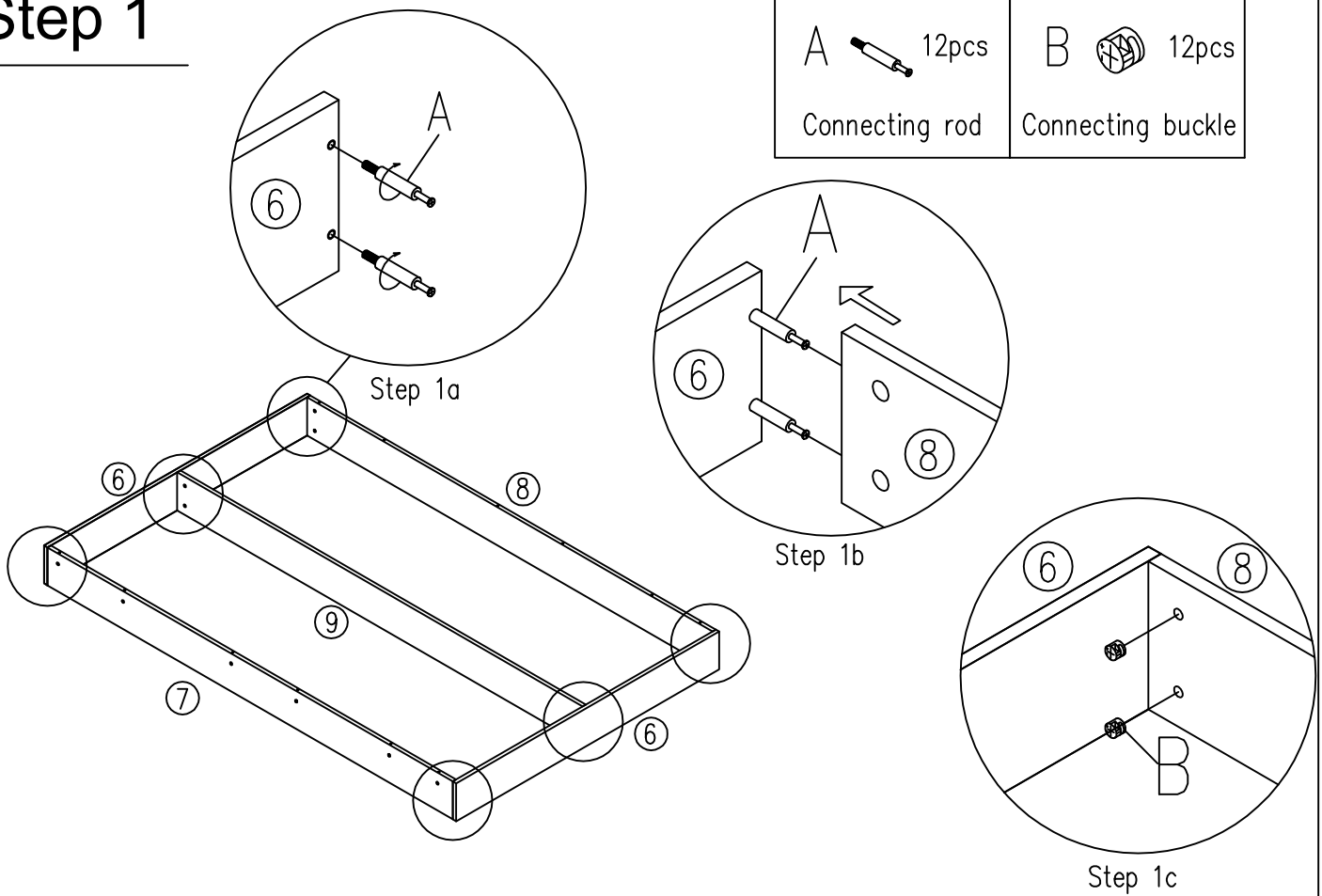
## Hardware list

Label	Picture	Description	Qty	Label	Picture	Description	Qty
A		Connecting rod	28	E		Spring Washer	21
B		Connecting buckle	28	F		Washer M6	21
C		Screw 4x35	5	G		Bolt M6x40	5
D		Bolt M6x20	16				

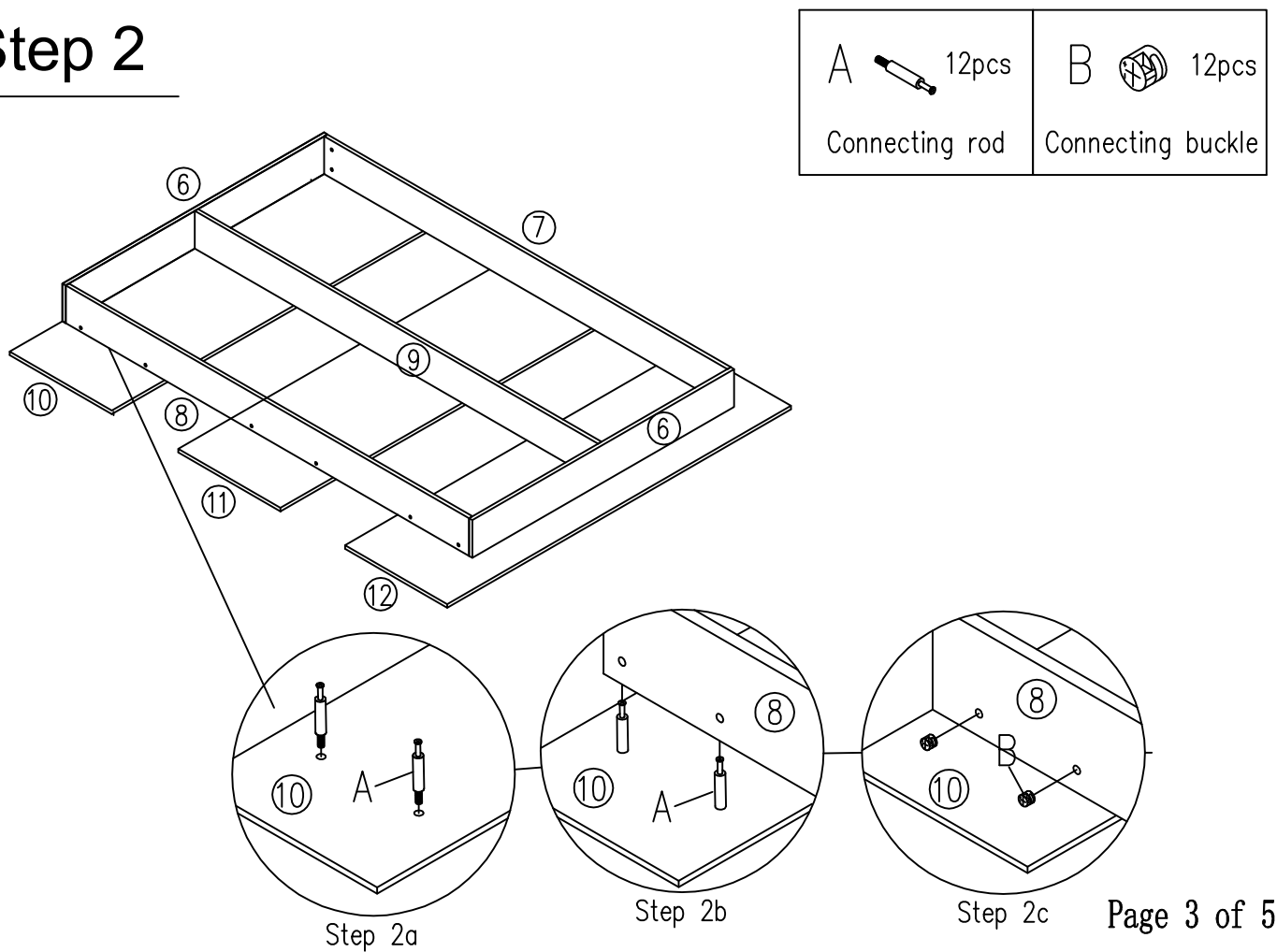
## Tool list

Label	Picture	Description	Qty
T-1		Screw driver(not provided)	1
T-2		Allen key M4	1


# Step 1

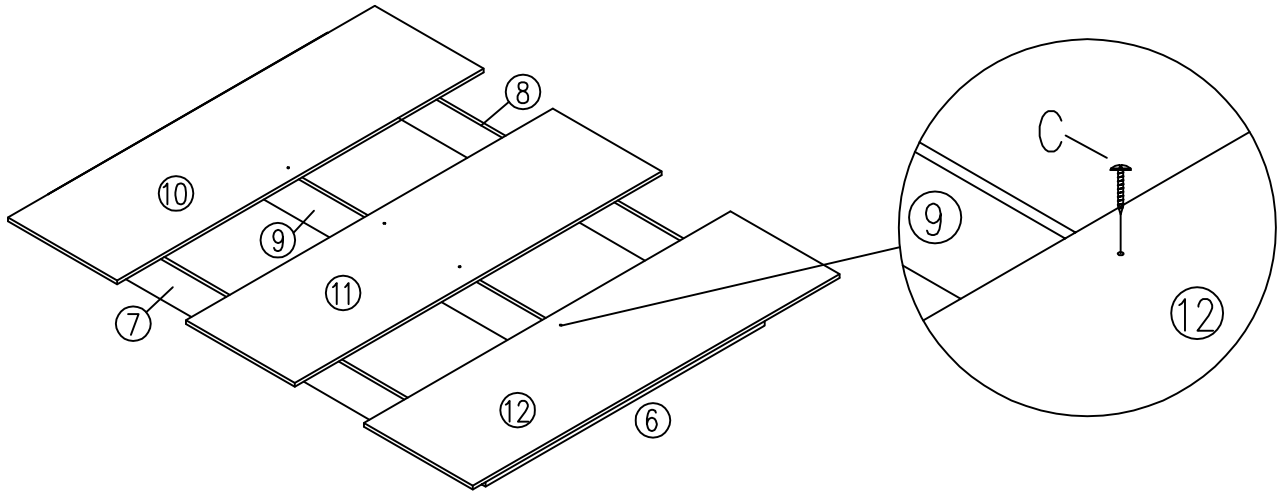


# Step 2



# Step 3


C  5pcs  
Screw 4x35

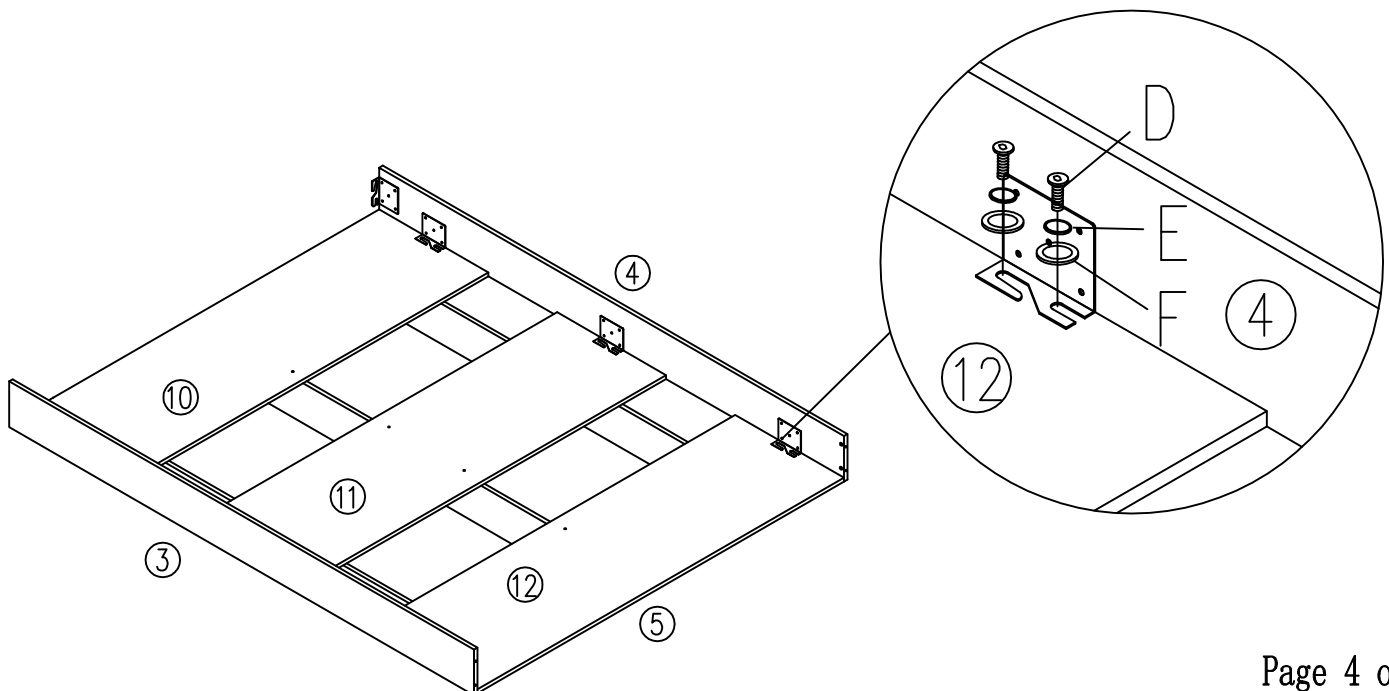


# Step 4

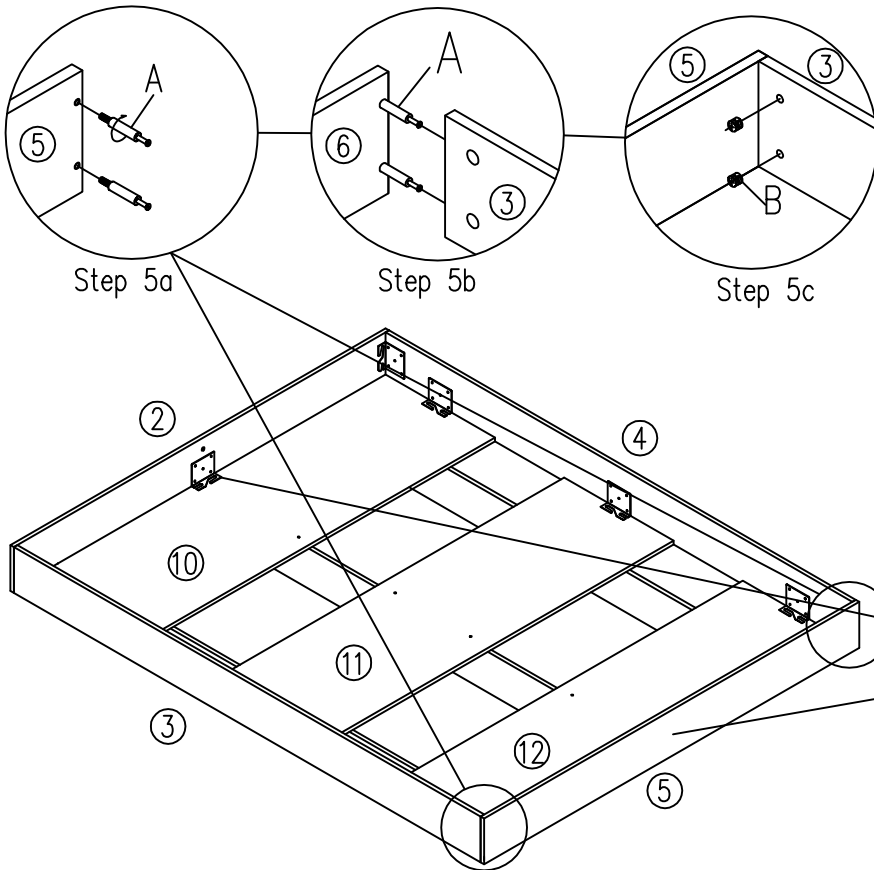
D  12pcs  
Bolt M6x20






E  12pcs  
Spring Washer

F  12pcs  
Washer M6

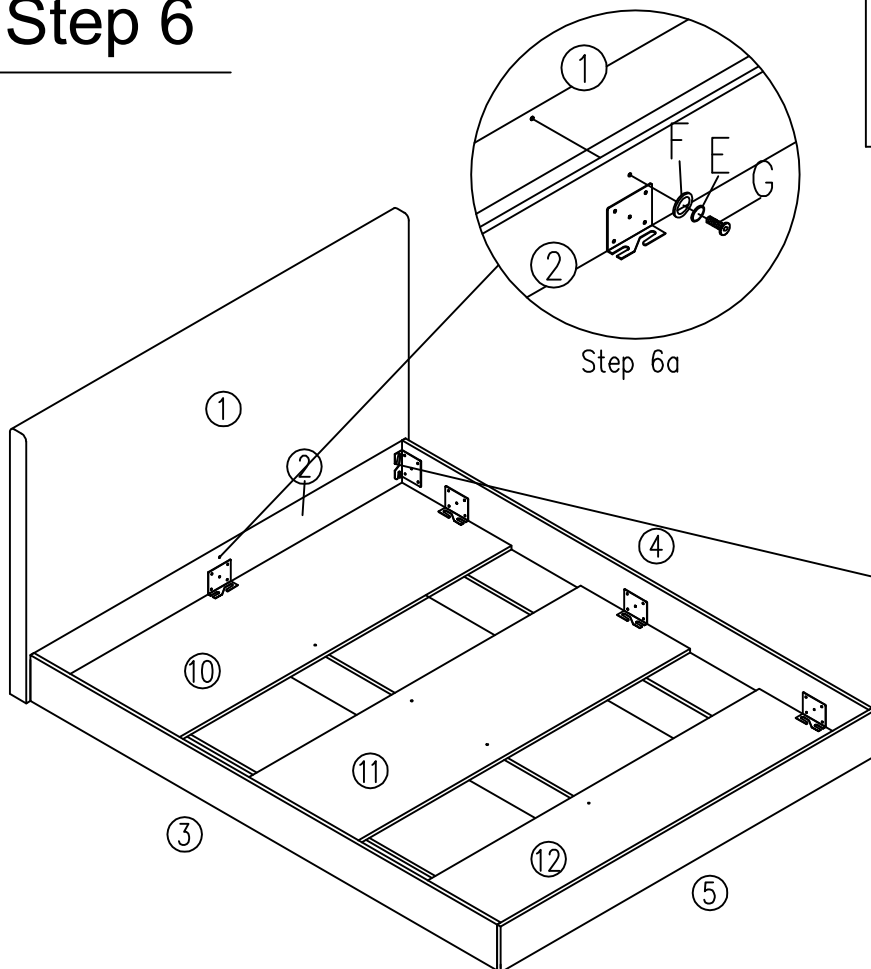





# Step 5



A  4pcs Connecting rod	B  4pcs Connecting buckle
D  4pcs Bolt M6x20	E  4pcs Spring Washer
	F  4pcs Washer M6

# Step 6



G  5pcs Bolt M6x40	E  5pcs Spring Washer
	F  5pcs Washer M6