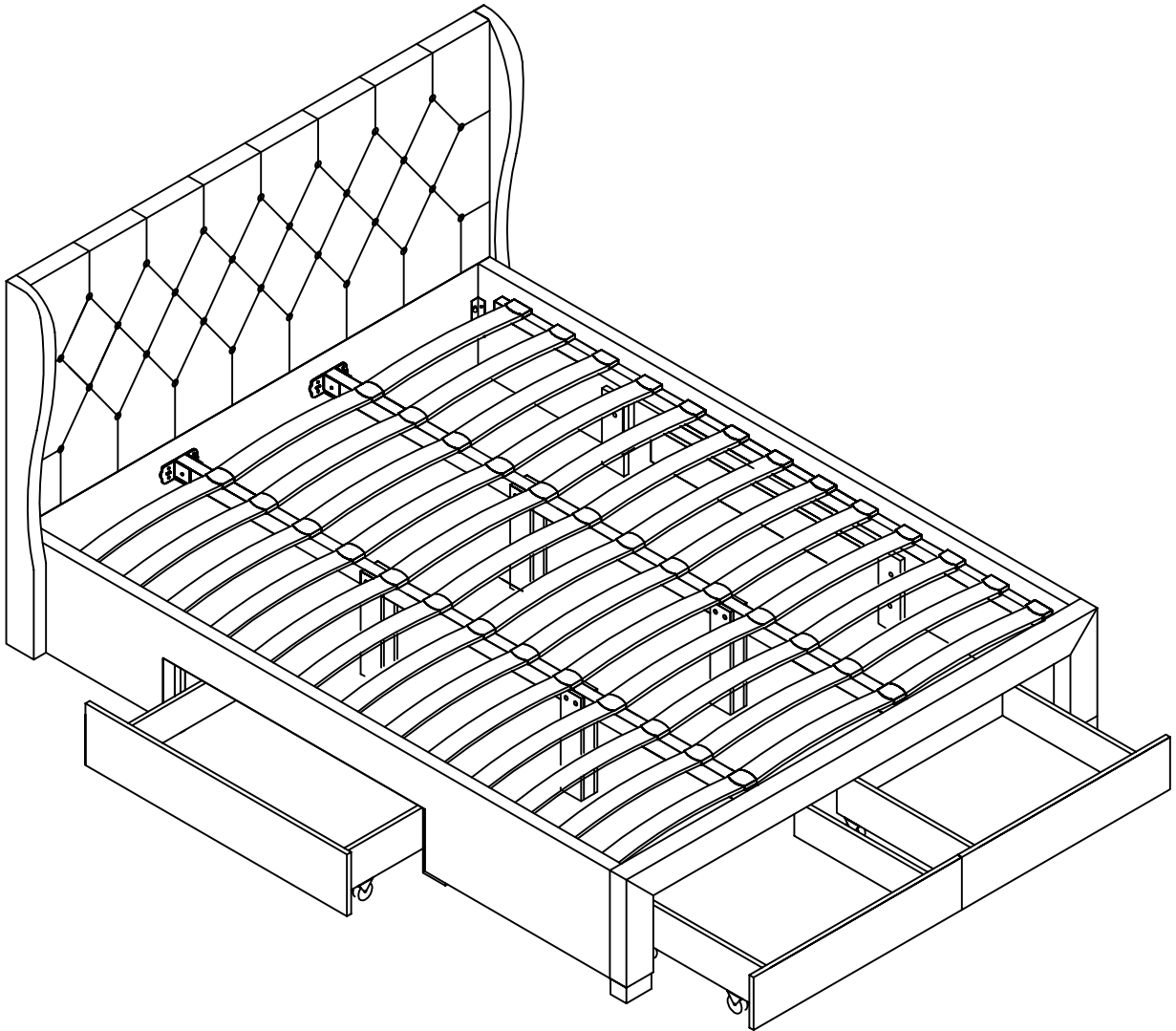


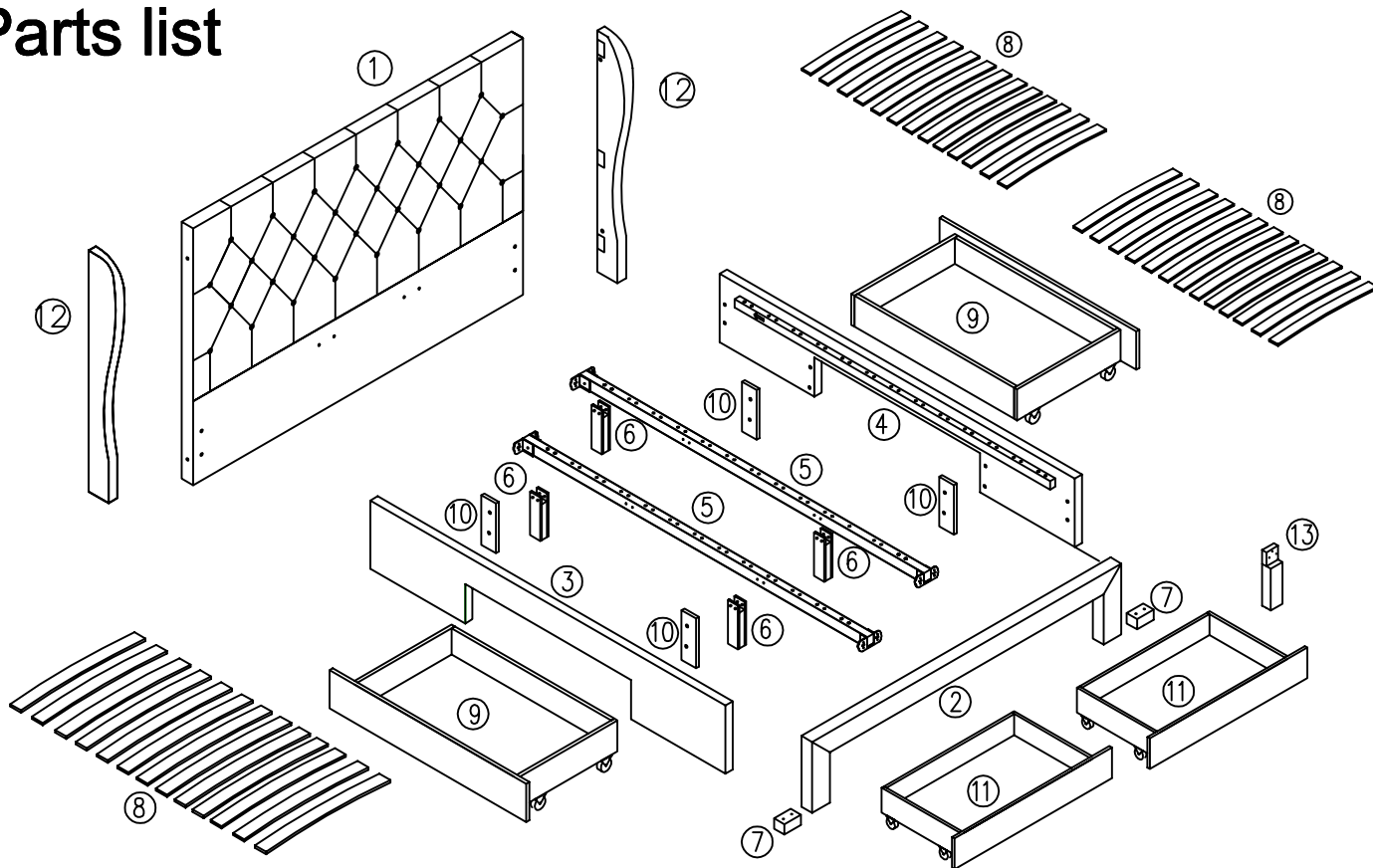
WIMBLEDON FABRIC DRAWER KING BED

ASSEMBLY INSTRUCTIONS



WIMBLEDON DRAWER KING BED IS FOR DOMESTIC USE
AND STRICTLY NOT FOR CONTRACT USE.

Parts list



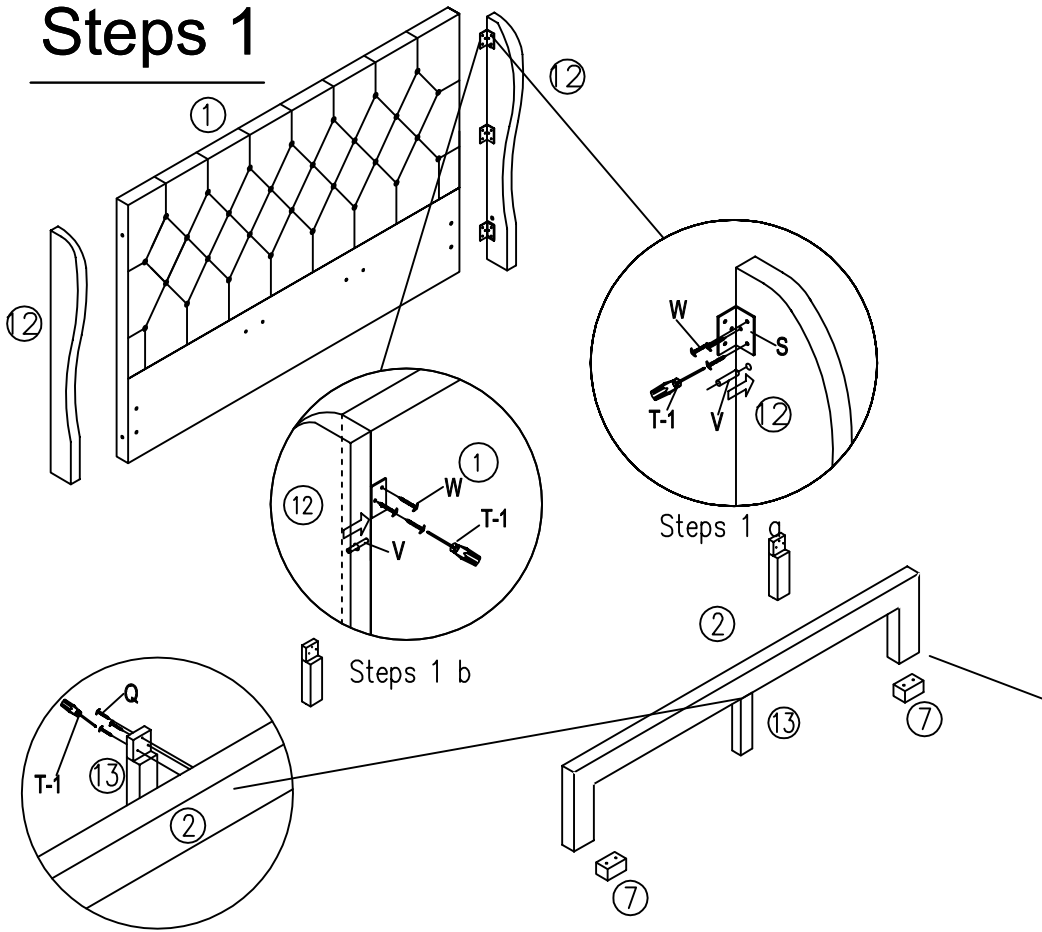
Hardware list

Label	Picture	Description	Qty	Label	Picture	Description	Qty
A		Single Plastic CAP	26	J		Screw 3.5x15	72
B		Double Plastic CAP	26	K		Screw 4x45	44
C		Metal Frame "U"	4	L		Connection Plate Left	2
D		Bolt M8x25	16	R		Connection Plate Right	2
E		Spring Washer	16	M		Plastic son	40
F		Washer M8	16	N		Straight wheel	16
G		NUT	8	O		Bolt M6x30	8
H		Bolt M8x65	8	P		Bolt M6x40	8
I		Bolt M6x20	8	Q		Screw 4x30	11
V		Wooden Stick	4	S		Connection	6
				W		Screw 4x25	36

TOOL list

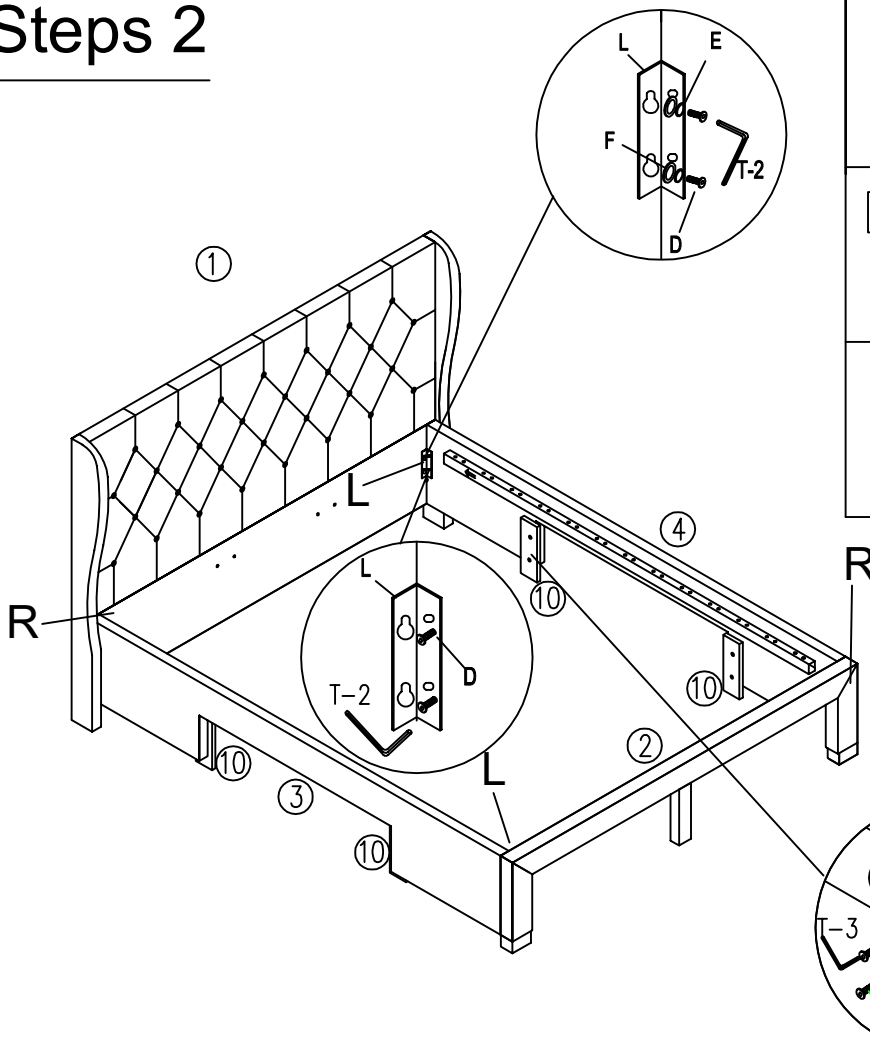
Label	Picture	Description	Qty
T-1		Screw driver(not provided)	1
T-2		Allen key M5	1
T-3		Allen key M4	1
T-4		SPANNER	1

Steps 1








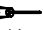





W ← 36pcs Screw 4x25	T-1 ← 1pc Screw driver (not provided)
V ← 4pcs Wooden Stick	S ← 6pcs Connection
Q ← 3pcs Screw 4x30	K ← 4pcs Screw 4x45

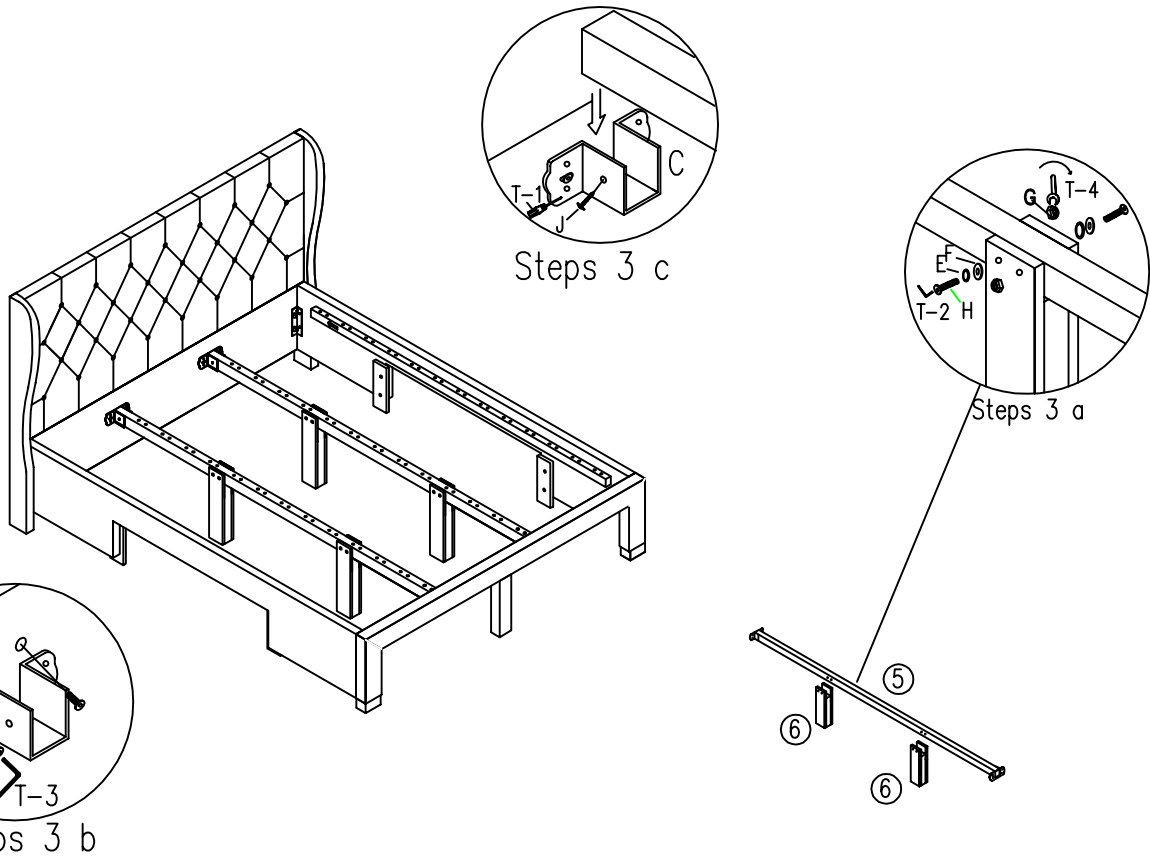
Steps 2





L ← 2pcs Connection Plate Left	R ← 2pcs Connection Plate Right
D ← 16pcs Bolt M8x25	E ← 8pcs Spring Washer
F ← 8pcs Washer M8	T-2 ← 1pcs Allen key 5#
	P ← 8pcs Bolt M6x40
	T-3 ← 1pcs Allen key 4#

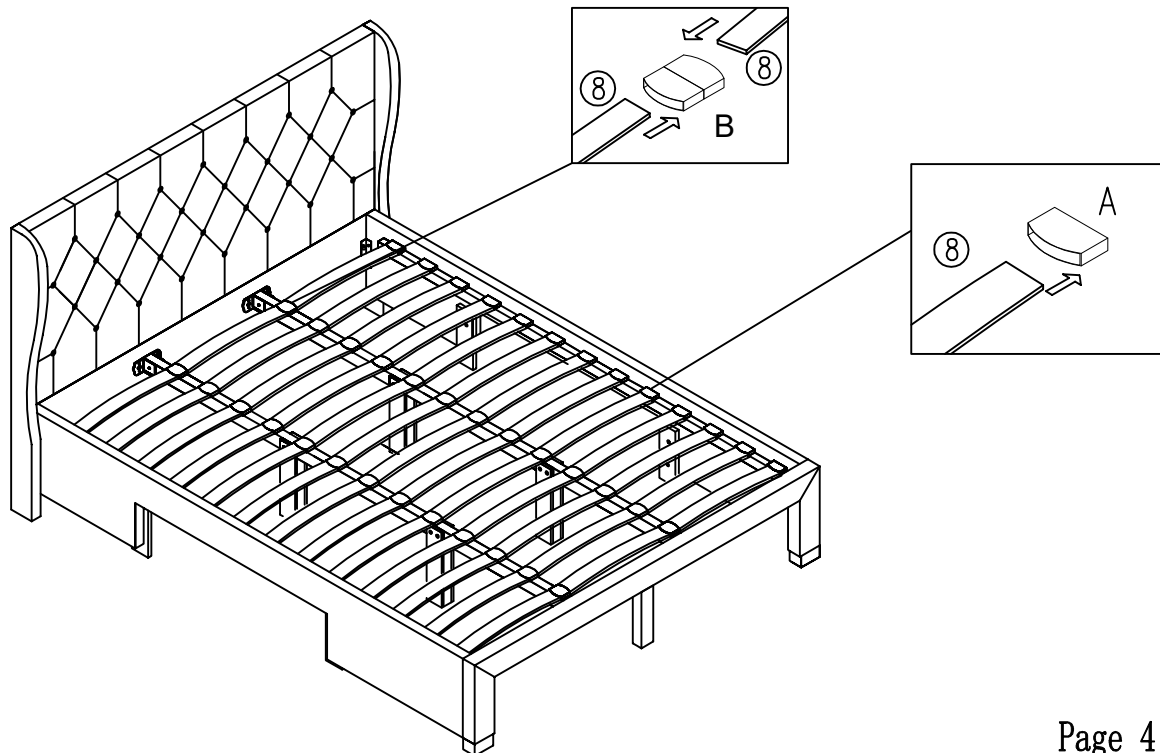
Steps 3

E  8pcs Spring Washer	F  8pcs Washer M8	G  8pcs NUT	H  8pcs BOLT M8x65	I  8pcs BOLT M6x20	T-1  1pcs Screw driver (not provided)
J  8pcs Screw 3.5x15	C  4pcs METAL FRAME"U"	T-2  1pcs Allen key 5#	T-3  1pcs Allen key 4#	T-4  1pcs Spanner	








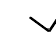


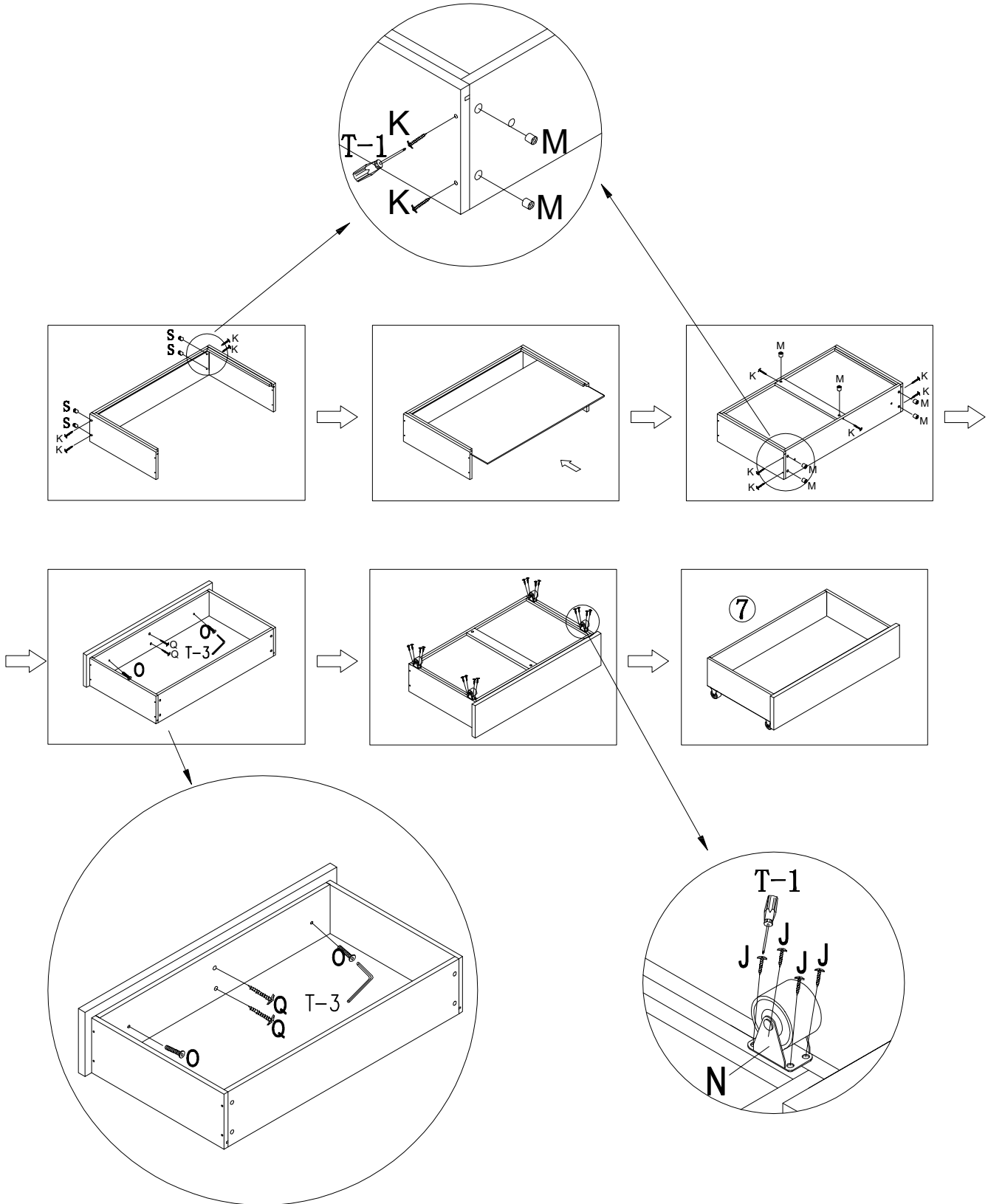
Steps 4

A  26pcs Single Plastic CAP	B  26pcs Double Plastic CAP
---	---



Steps 5

K  40pcs Screw 4x45	O  8pcs BOLT M6x30	J  64pcs Screw 3.5x15	M  40pcs Plastic son	N  16pcs Straight wheel
Q  8pcs Screw 4x30	T-1  1pcs Screw driver (not provided)	T-3  1pcs Allen key 4#		



Steps 6

