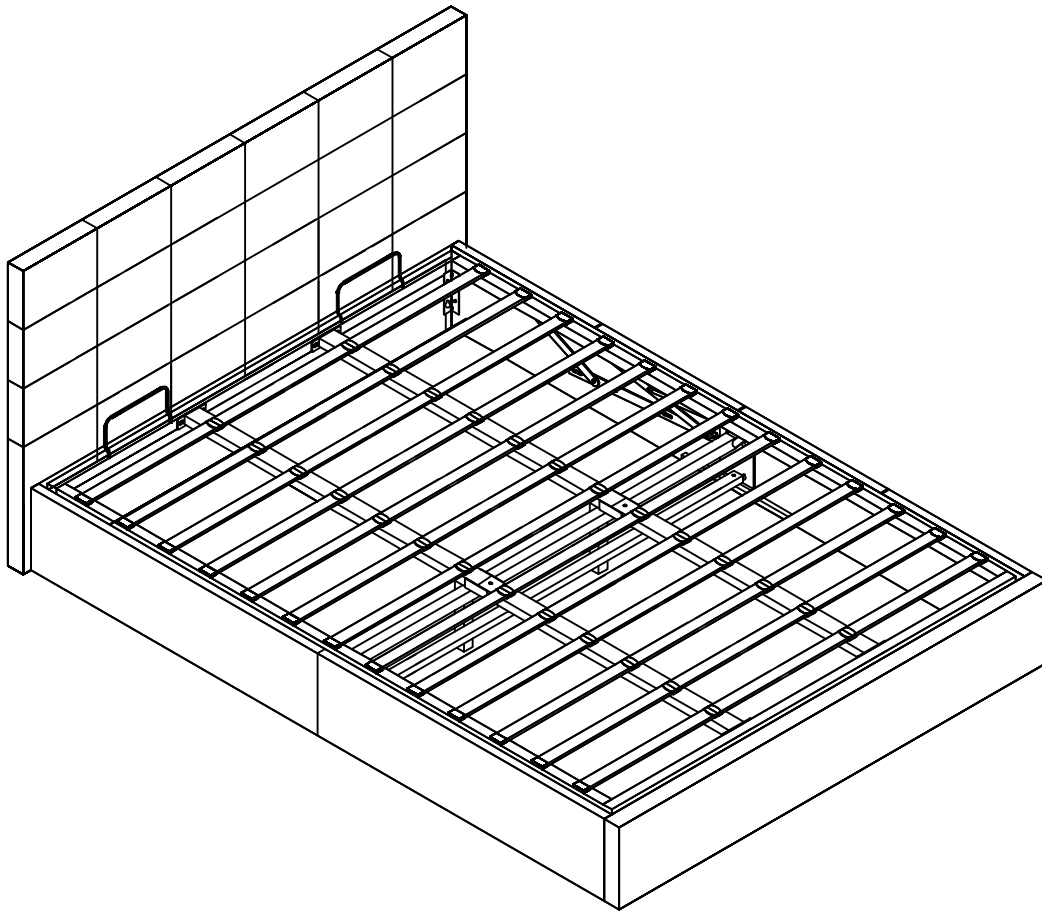


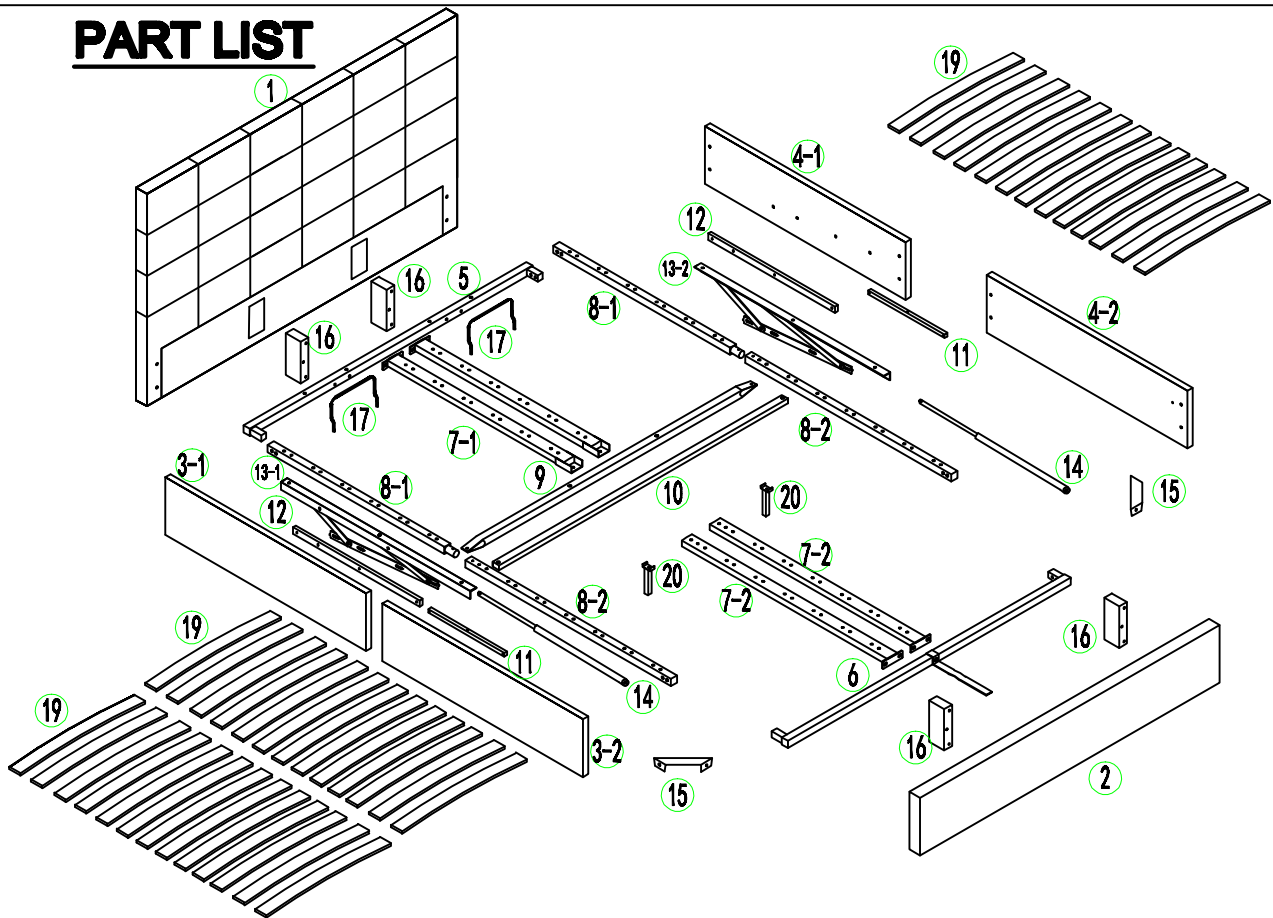
MILAN OTTOMAN KING BED ASSEMBLY INSTRUCTIONS



**MILAN OTTOMAN KING BED IS FOR DOMESTIC USE
AND STRICTLY NOT FOR CONTRACT USE.**

PLEASE ASSEMBLE THE BED BY TWO PERSONS.

PART LIST



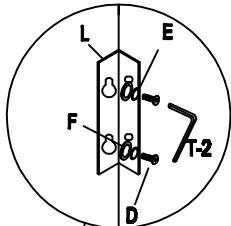
HARDWARE LIST

Label	Picture	Description	Qty	Label	Picture	Description	Qty
A		Single Plastic CAP	26	I		Bolt M6x60	2
B		Double Plastic CAP	26	J		Screw 4*80	12
C		Bolt M6x20	20	L		Connection Plate Left	2
D		Bolt M8x25	8	R		Connection Plate Right	2
E		Spring Washer	8	M		Bolt M8x35	8
F		Washer M8	8	N		Bolt M8x15	22
G		Nut M8	4	S		Bolt M6x40	6
H		Connection	2	O		Nut M6	4
K		Bolt M6x35	2	P		Washer M6	4

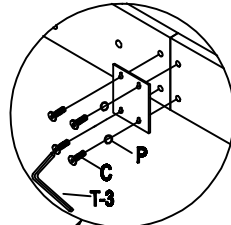
TOOL list

Label	Picture	Description	Qty
T-1		Screw driver(not provided)	1
T-2		Allen key M5	1
T-3		Allen key M4	1
T-4		Spanner M8	1
T-5		Spanner M6	1

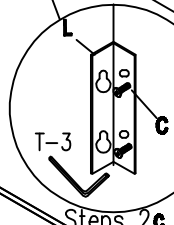
Steps 1



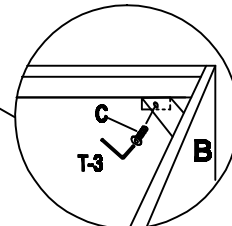
Steps 1b



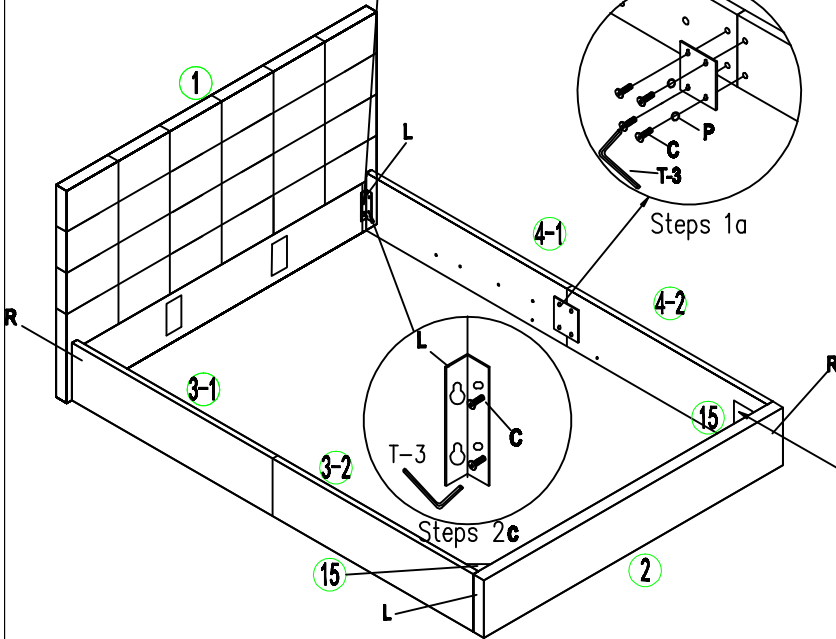
Steps 1a



Steps 2c

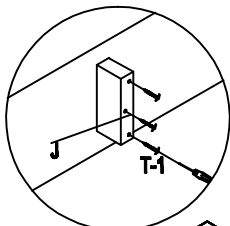


Steps 1d

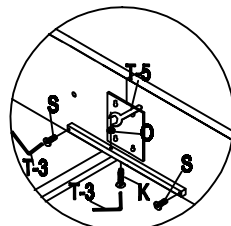


L 2pcs Connection Plate Left	R 2pcs Connection Plate Right
D 8pcs Bolt M8x25	E 8pcs Spring Washer
F 8pcs Washer M8	T-2 1pcs Allen key 5#
H 2pcs Connection	T-3 1pcs Allen key 4#
C 20pcs Bolt M6x20	P 4pcs Washer M6

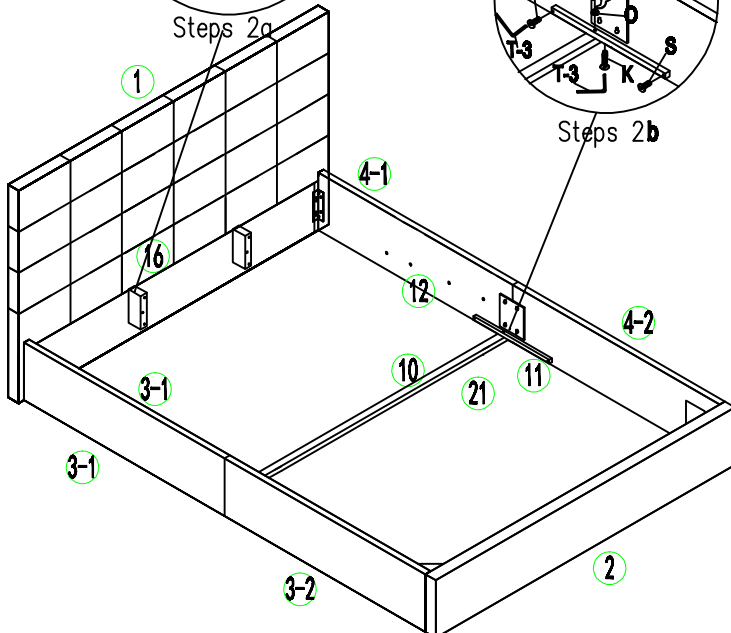
Steps 2



Steps 2a

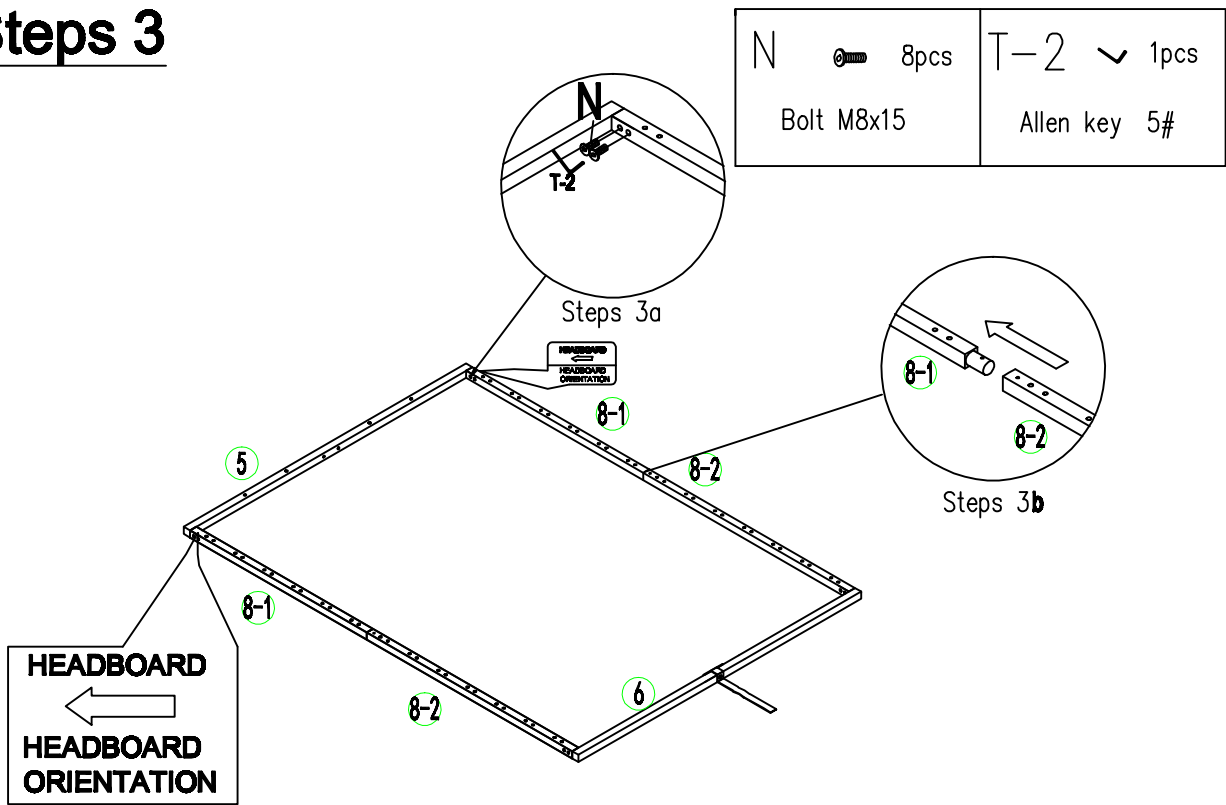


Steps 2b

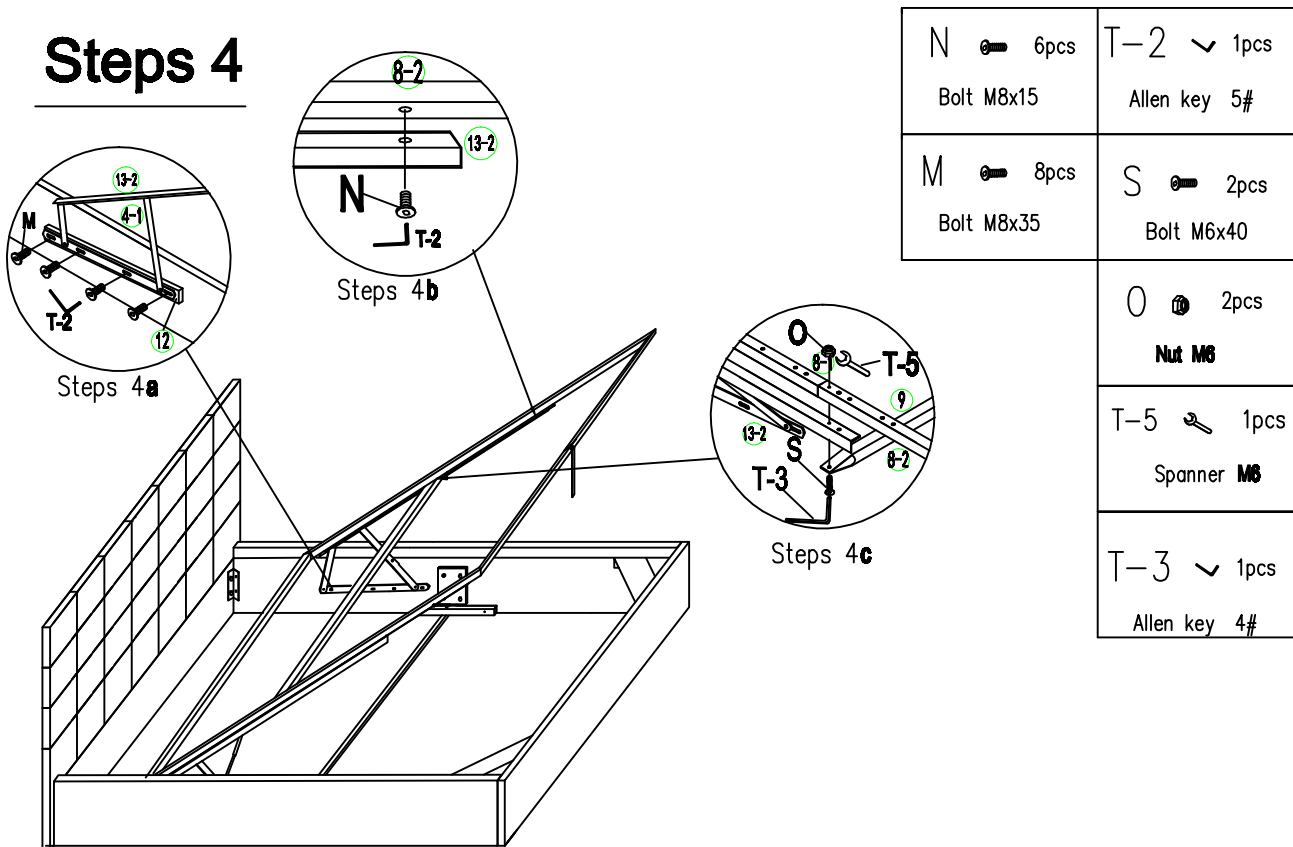


J 12pcs Screw 4*80	T-1 1pcs Screw driver (not provided)
K 2pcs Bolt M6x35	T-3 1pcs Allen key 4#
O 2pcs Nut M6	S 4pcs Bolt M6x40
	T-5 1pcs Spanner M6

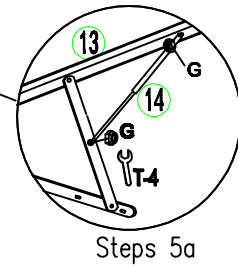
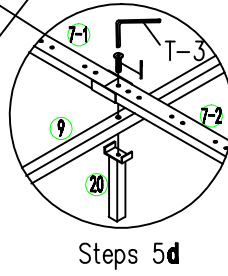
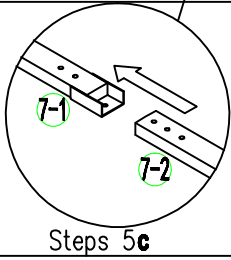
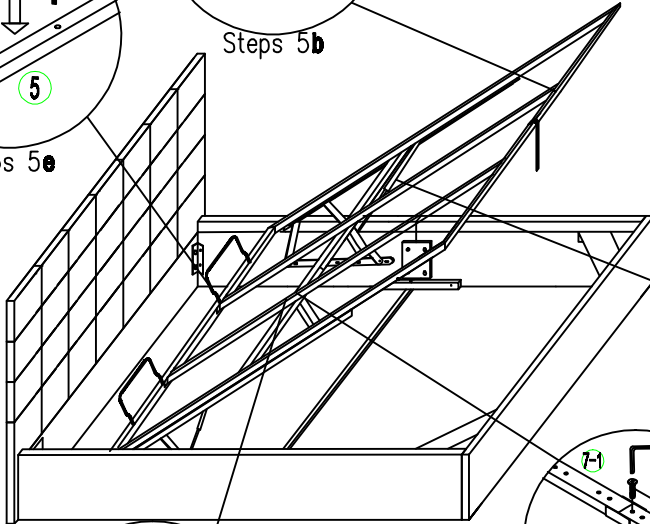
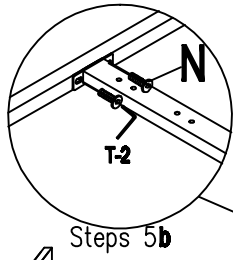
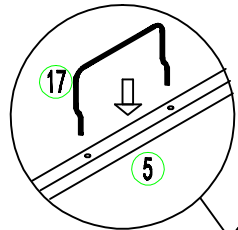
Steps 3



Steps 4



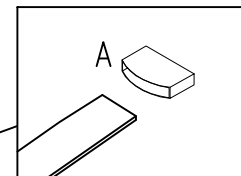
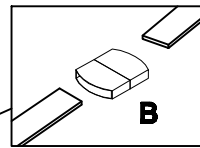
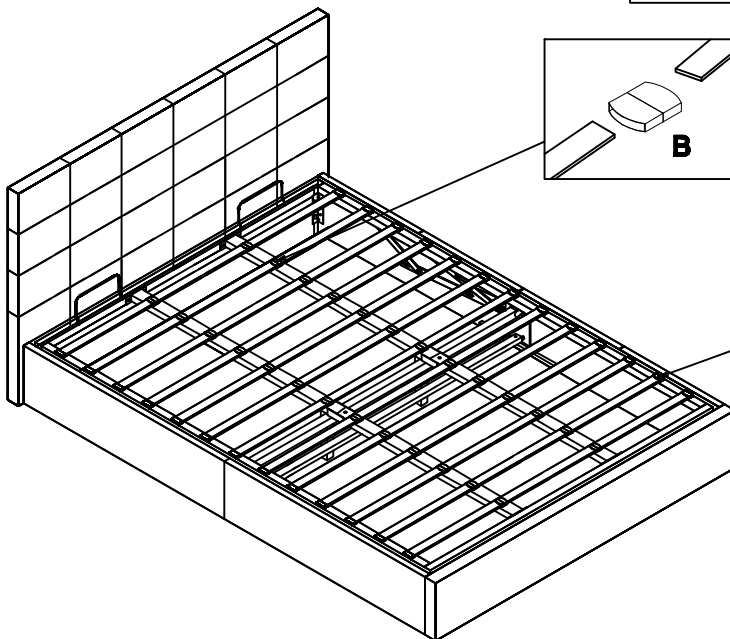
Steps 5



G	4pcs	T-4	1pcs
Nut M6		Spanner M6	
I	2pcs	T-3	1pcs
Bolt M6x60		Allen key 4#	
N	8pcs	T-2	1pcs
Bolt M8x15		Allen key 5#	

Steps 6

A	26pcs	B	26pcs
Single Plastic CAP		Double Plastic CAP	



Steps 7

PASTE NON WOVEN FABRIC TO THE BOTTOM OF THE BED

