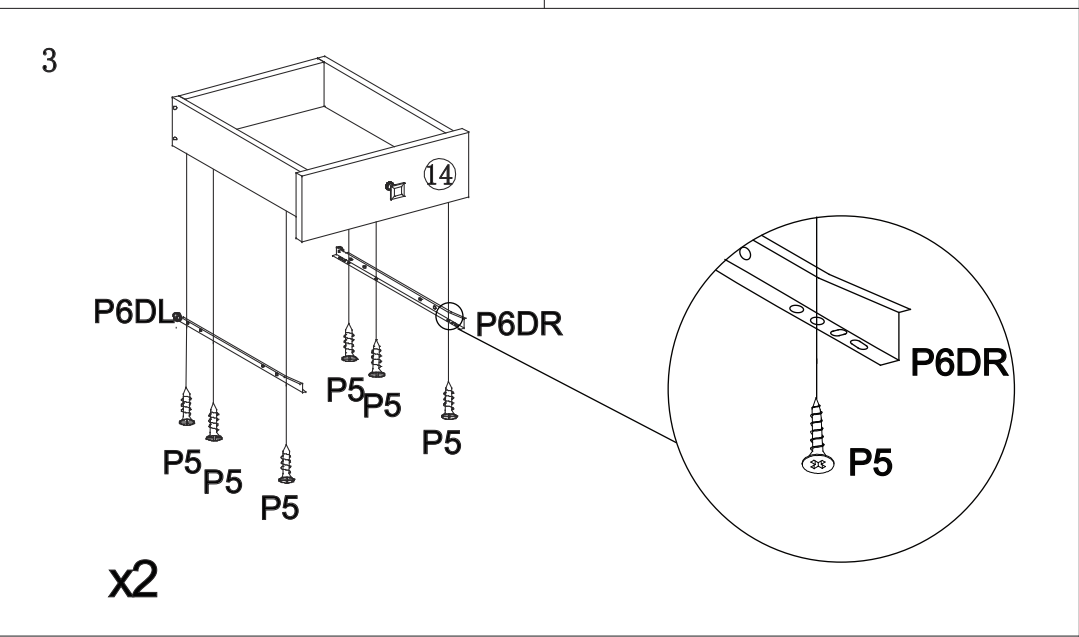
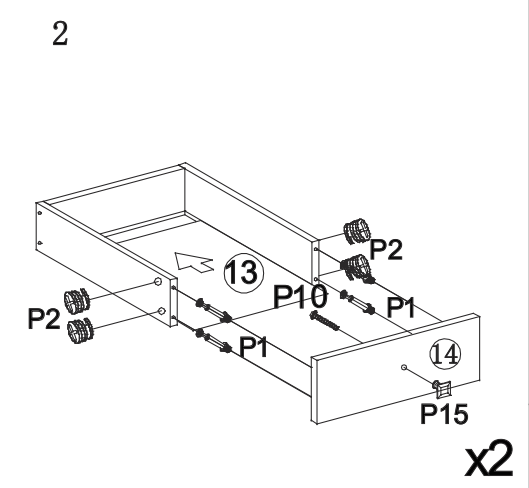
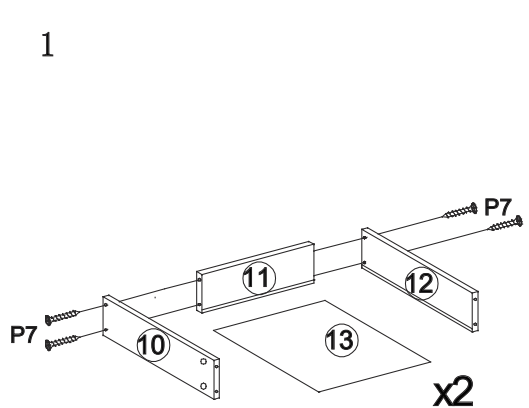
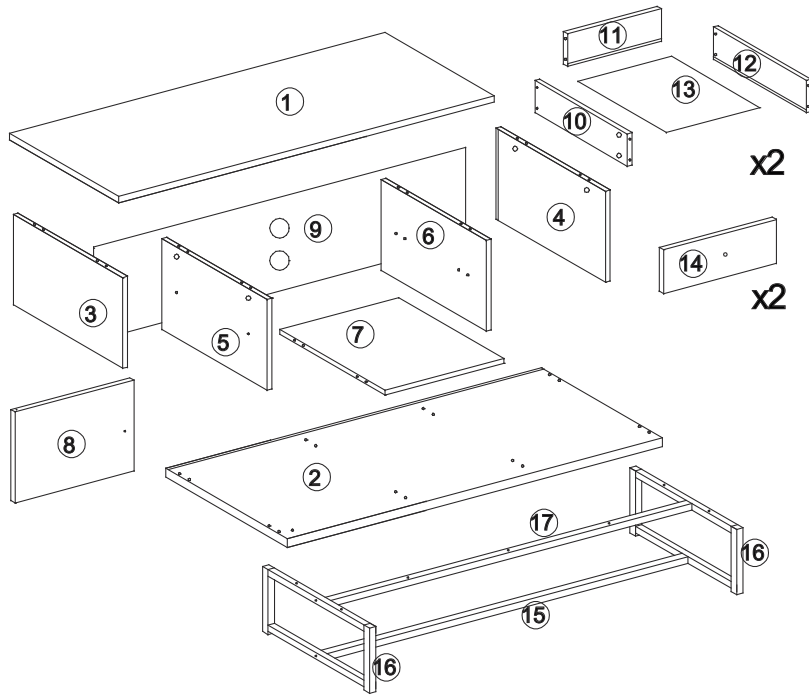
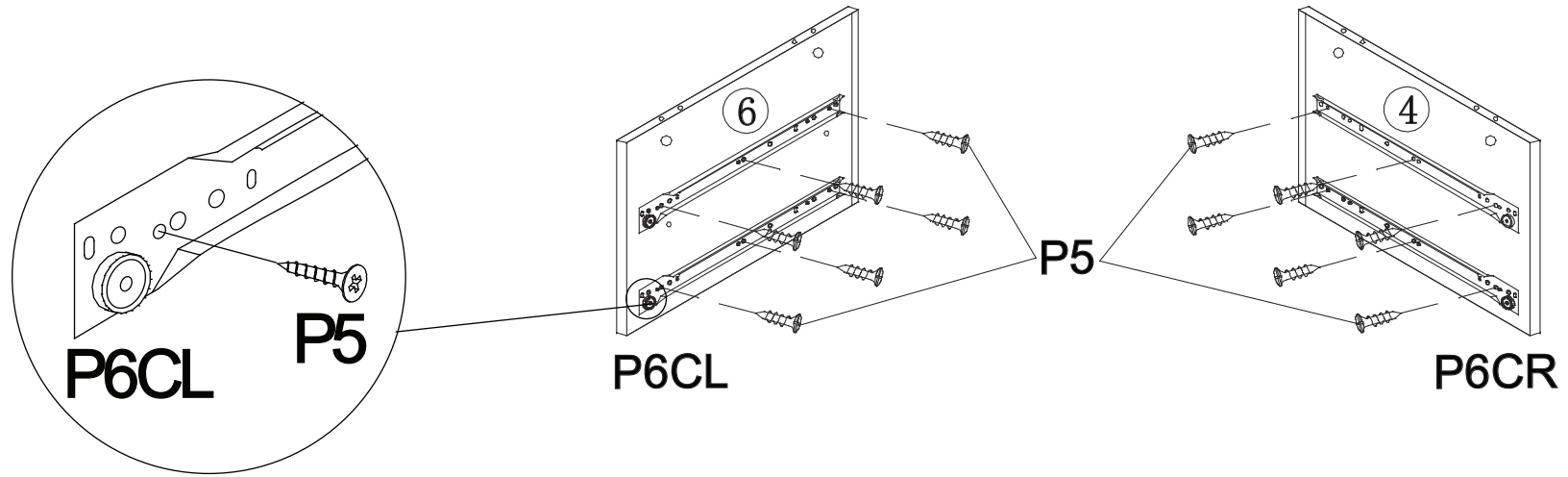


ASSEMBLING INSTRUCTIONS

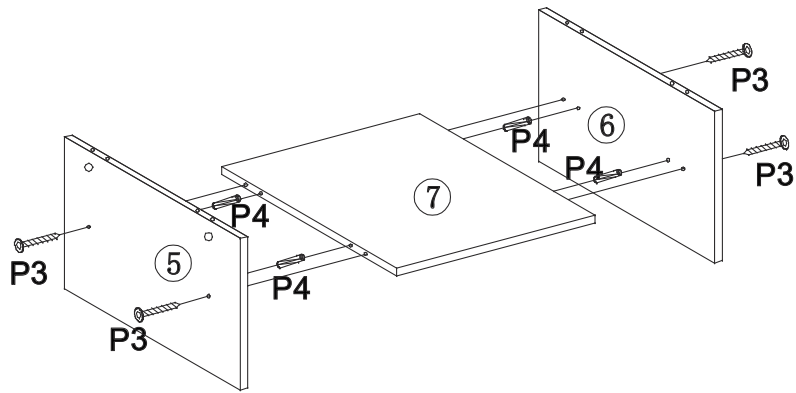


P1		16 PCS	P12		1 PC
P2		16 PCS	P13		6 PCS
P3		M5X40mm 12 PCS	P14		1 PC
P4		M8X30mm 20 PCS	P15		3 PCS
P5		M3.5X12mm 26 PCS	P16		M3X14mm 6 PCS
P6		CL DL DR CR 2 SETS	P17		1 PC
P7		M4X35mm 10 PCS	P18		M6X40mm 4 PCS
P8		2 PCS	P19		M3X14mm 2 PCS
P9		M3X10mm 2 PCS	P20		2 PCS
P10		M4X20mm 3 PCS	P21		4 PCS
P11		M6X30mm 7 PCS	P22		2 PCS

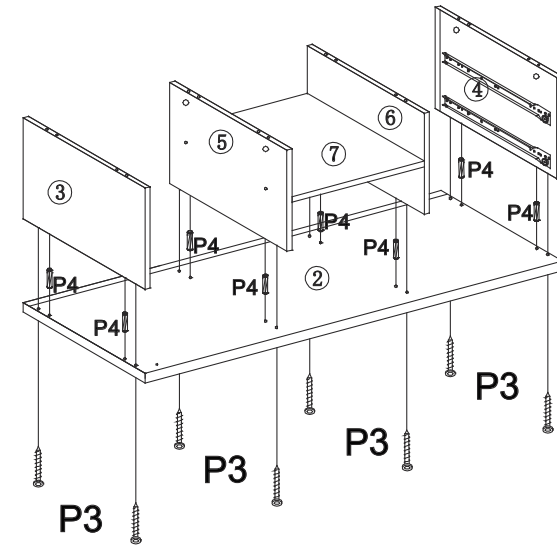
4



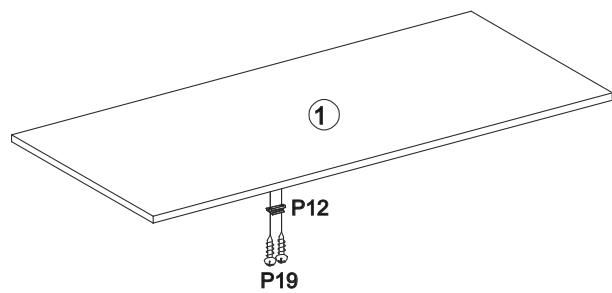
5



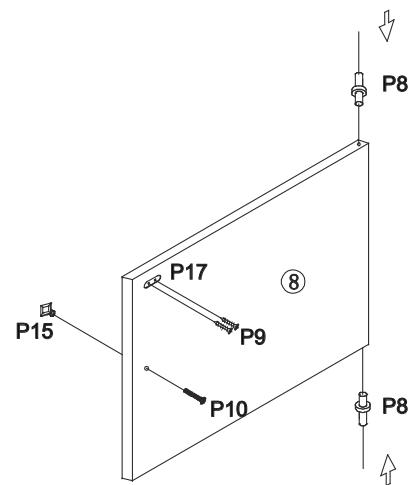
6



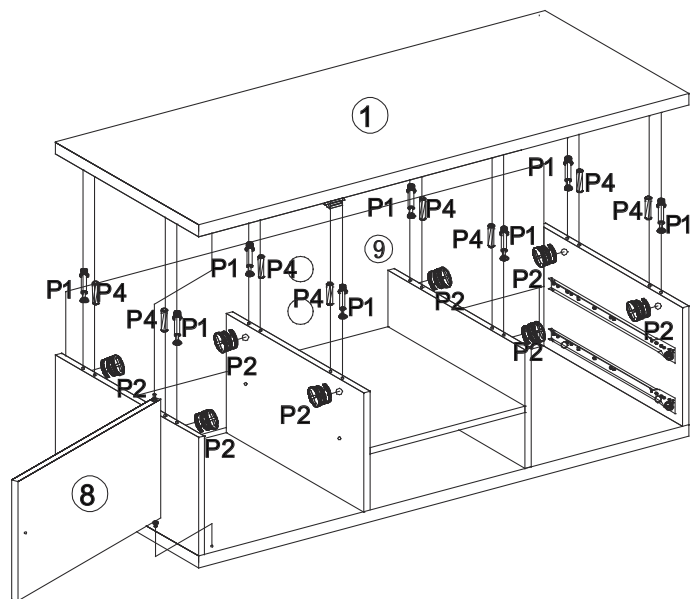
7



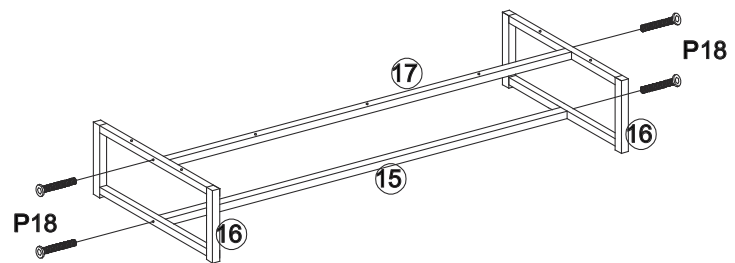
8



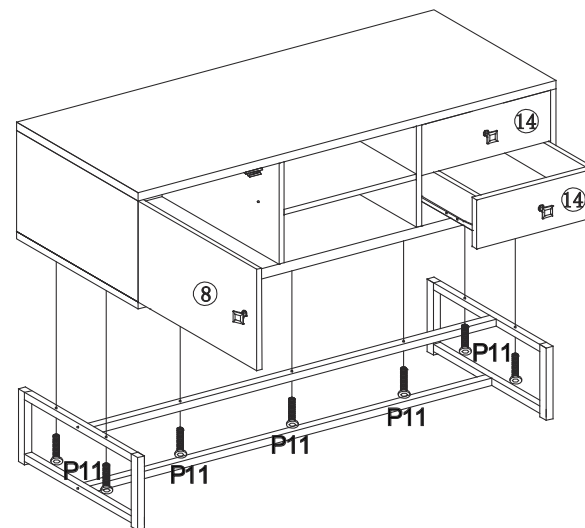
9



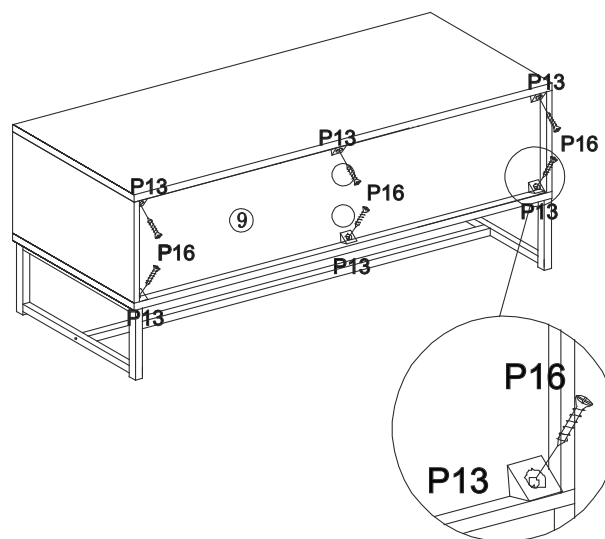
10



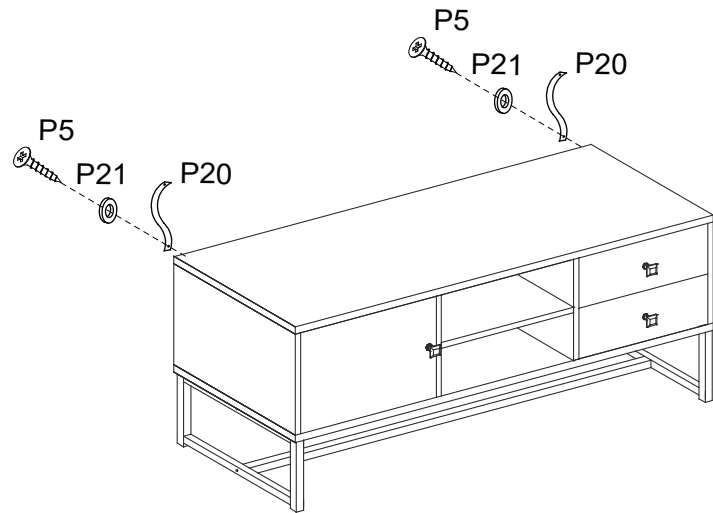
11



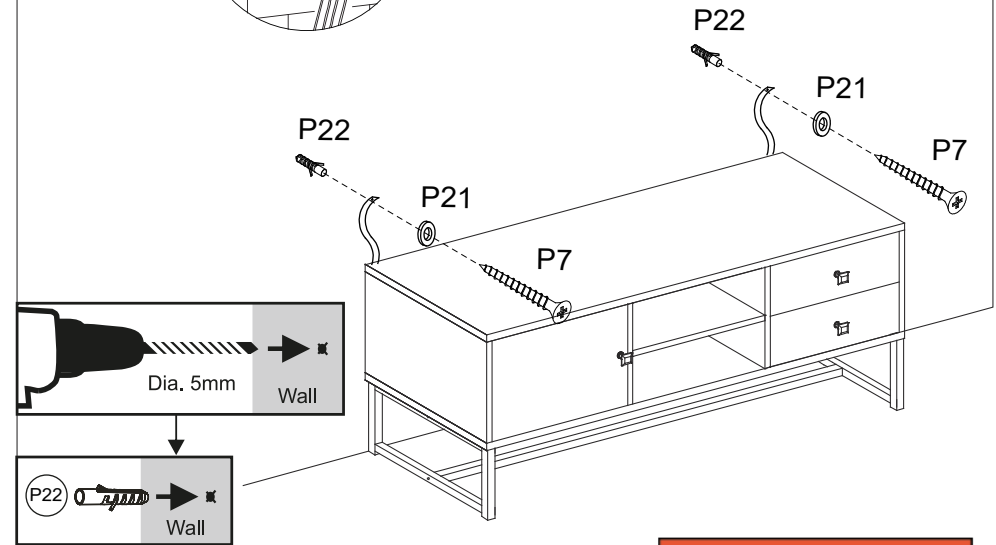
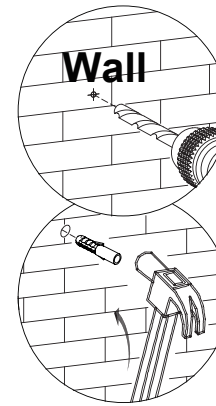
12



13



14



WARNING: Anti-tipping hardware is only a deterrent. It is not a substitute for proper adult supervision. Young children may be injured by tipping furniture and the use of a tipping restraint is highly recommended. This hardware, when properly installed, could provide protection against the unexpected tipping of furniture due to improper use. Please ensure the anti-tipping hardware provided is suitable for your wall or else it might damage your wall during installation

⚠ WARNING	
<p>Children have died from furniture tipover.</p> <ul style="list-style-type: none"> • NEVER allow children to stand, climb or hang on drawers, doors, or shelves. • ALWAYS secure your television with an anchor device. <p>This is a permanent label. Do not remove!</p>	