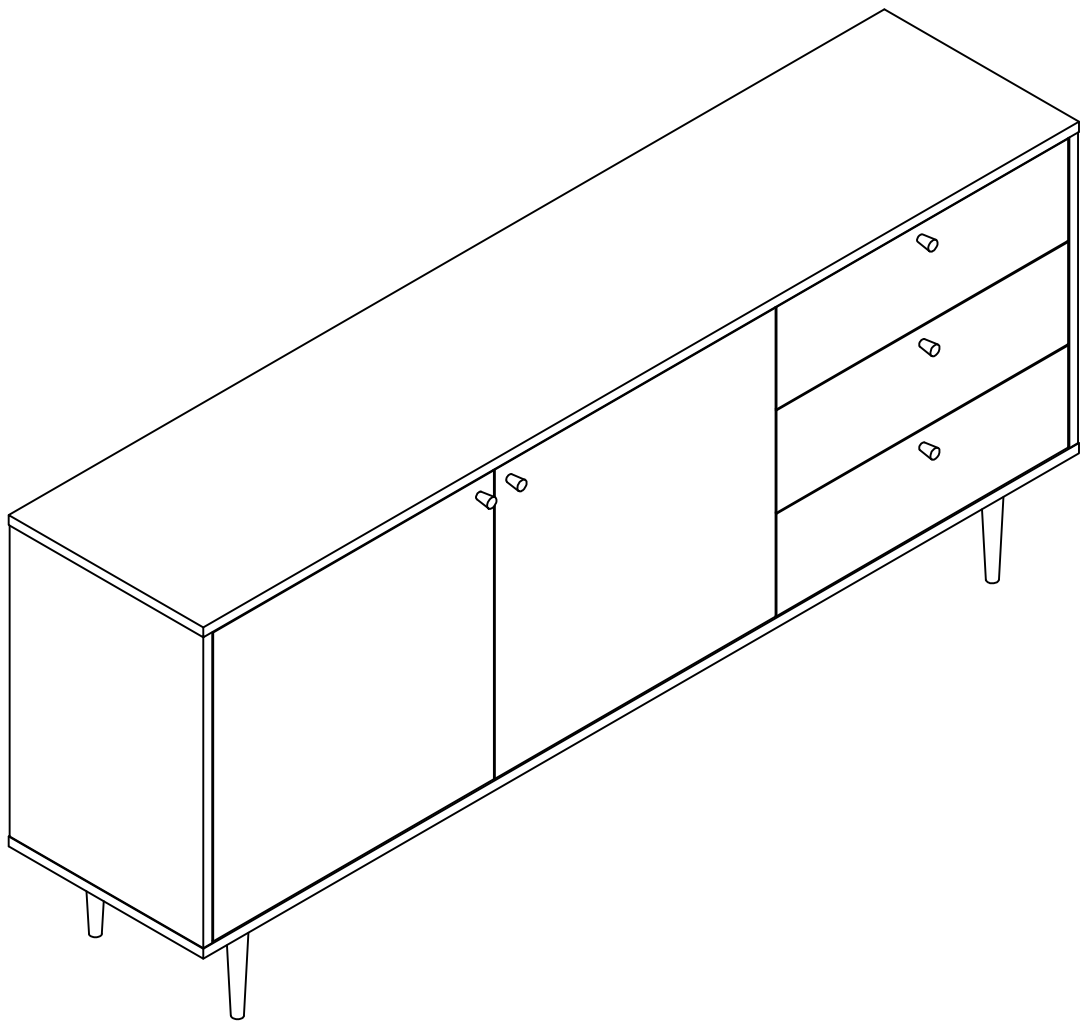
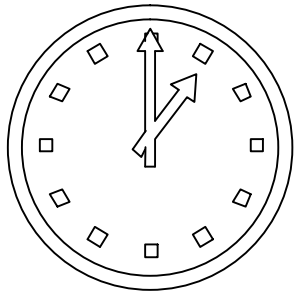


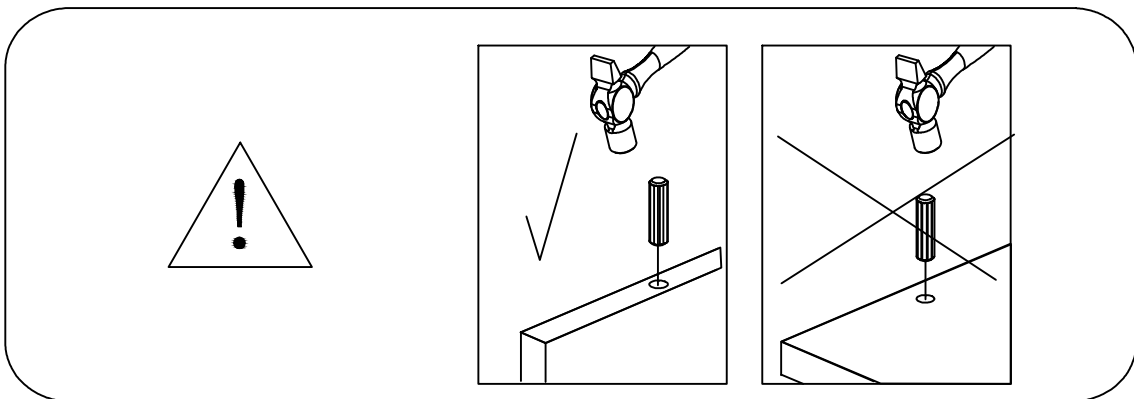
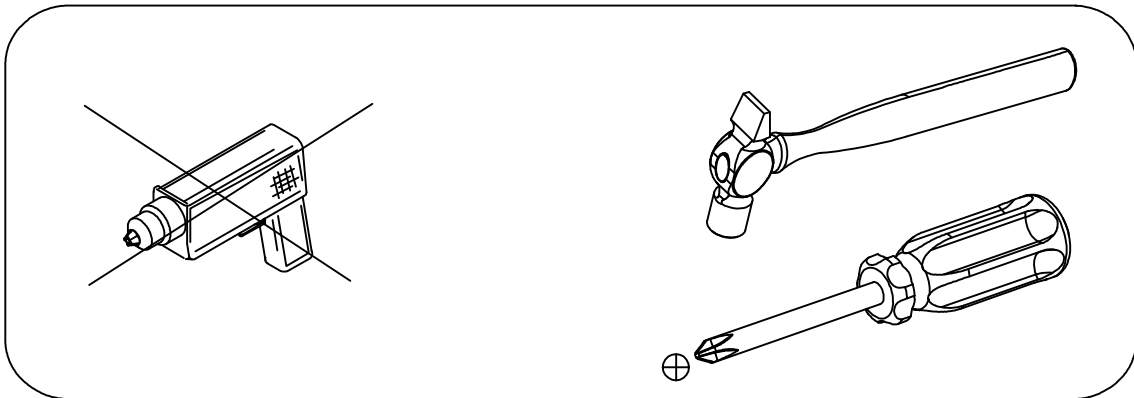
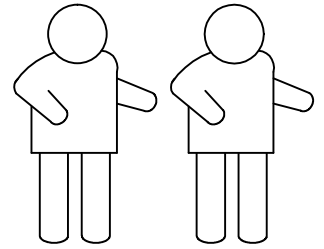
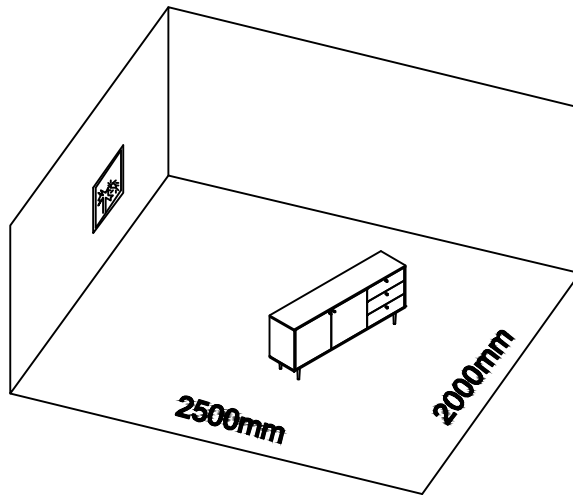
Assembly Instructions

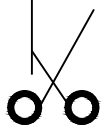
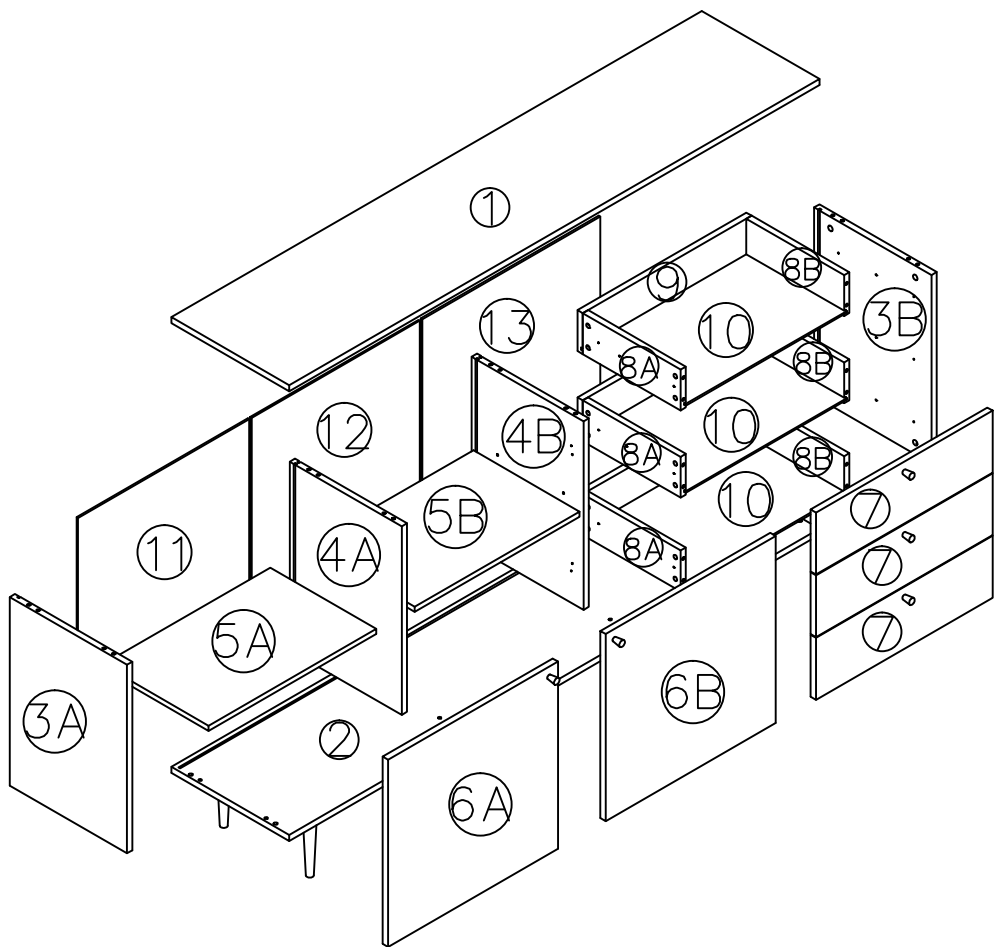
1903



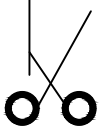


60 min








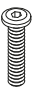











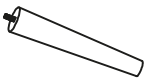










		1903
1	1	1800x400x18MM
2	1	1800x400x18MM
3A	1	554x398x18MM
3B	1	554x398x18MM
4A	1	554x380x18MM
4B	1	554x380x18MM
5A	1	569x360x15MM
5B	1	559x360x15MM
6A	1	577x550x18MM
6B	1	577x550x18MM
7	3	600x182x18MM
8A	3	332x120x18MM
8B	3	332x120x18MM
9	3	573x120x18MM
10	3	547x342x5MM
11	1	581x564x5MM
12	1	571x564x5MM
13	1	604x564x5MM

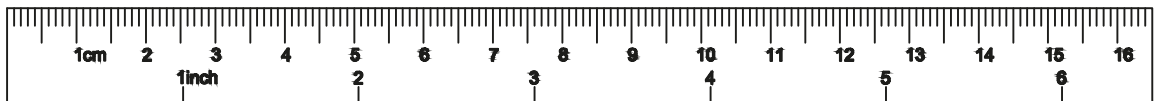
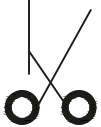




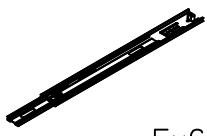
 φ15x12 Ax16	 M6x35 Bx16	 ø8x40 Cx16	 M3.5x15 Dx72
 350MM Ex6	FOR DRAWERS ONLY  M6x24 Fx24	 Gx4	 M8x10 Hx4
 ø38x190 lx4	 M6x15 Jx16	FOR DRAWERS ONLY  ø12x12 Kx24	 5# Lx1
 ø16xM6x1.5 Mx16	 M6 Nx16	 Ox8	 Px12
 Qx5	MORE ANGLED / LEFT SIDE*  Rx2	 Sx5	 Tx1
LESS ANGLED / RIGHT SIDE*  Ux2	 Vx4	 Wx4	 M4x37 Xx4
 M4x17 Yx4	 Zx2		

* PLEASE NOTE THIS CABINET USES 2 DIFFERENT TYPES OF HINGES WHICH MAY LOOK SIMILAR. FOR FURTHER INFORMATION PLEASE REFER TO STEP 11 & 12.

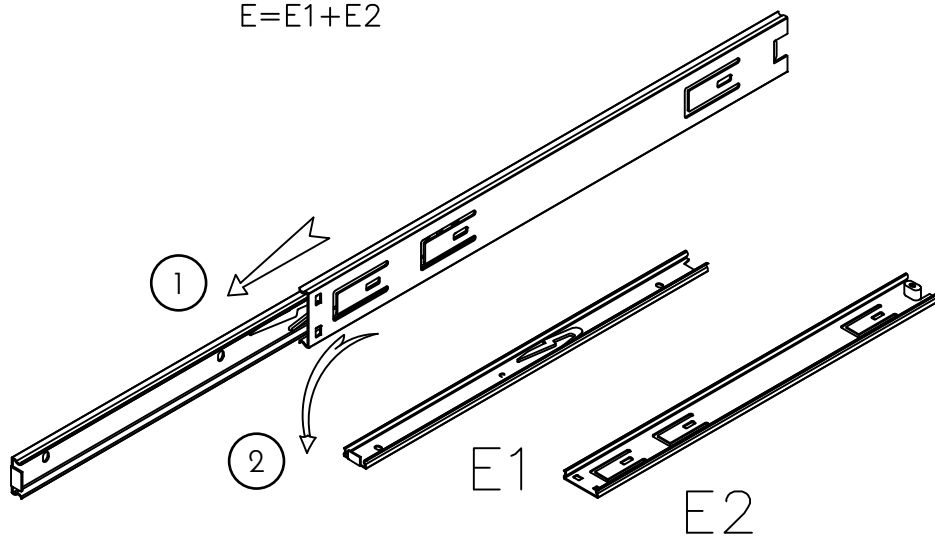
*** WARNING: DO NOT OVER-TIGHTEN SCREWS**



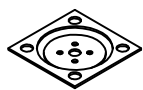

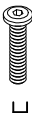

1

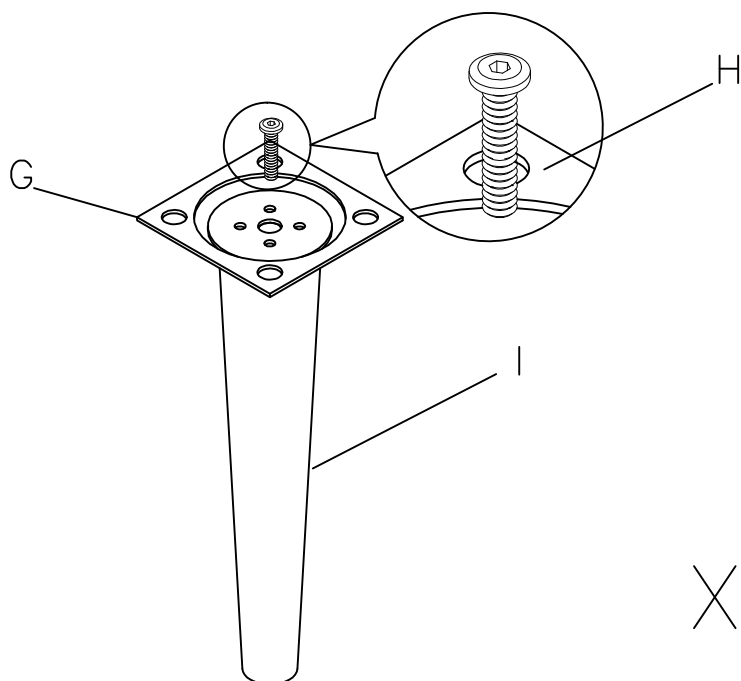
 <p>E x 6</p>	<p>STEP 1: FULLY EXTEND RUNNER & TRACK RAIL</p> <p>STEP 2: HOLD DOWN THE BLACK TAB AND PULL TO DISCONNECT</p>	
--	---	--

$E = E1 + E2$



2

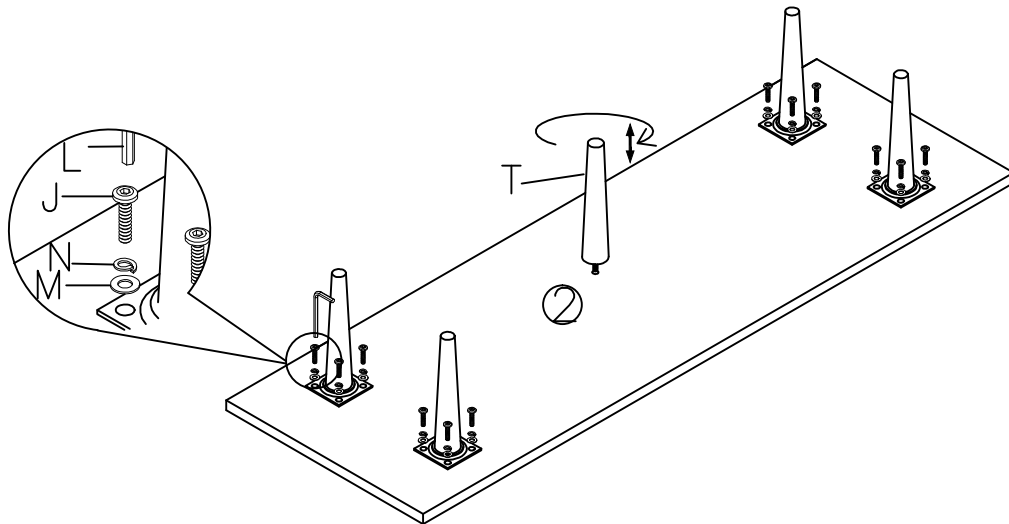
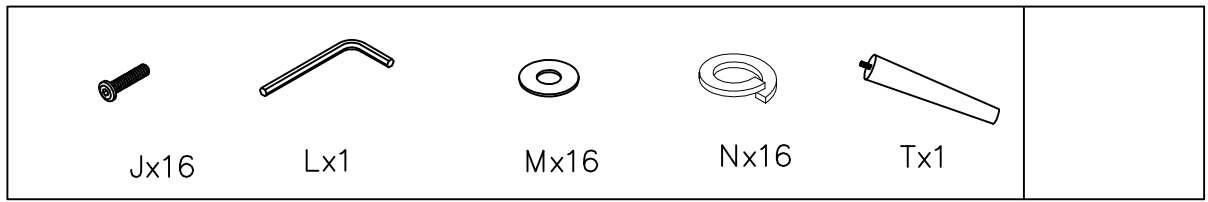
 <p>G x 4</p>	 <p>I x 4</p>	 <p>H x 4</p>	 <p>L x 1</p>	
--	--	--	--	--



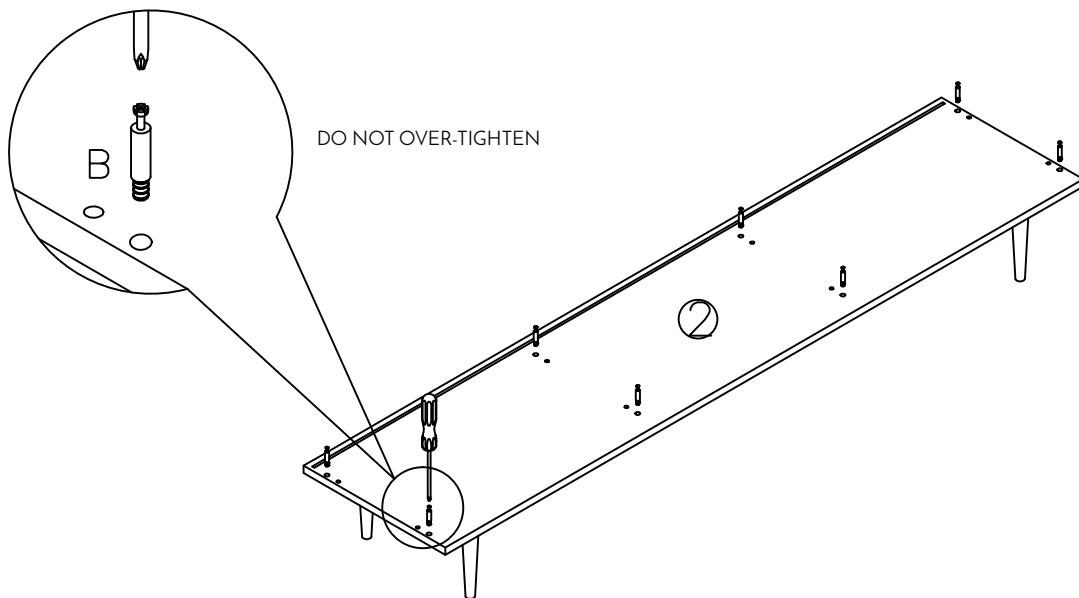
X 4

6-17

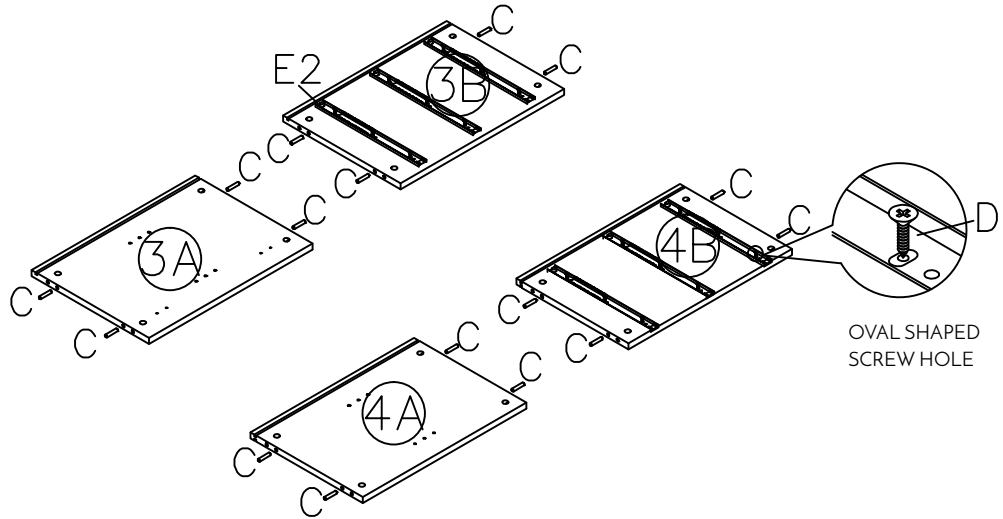
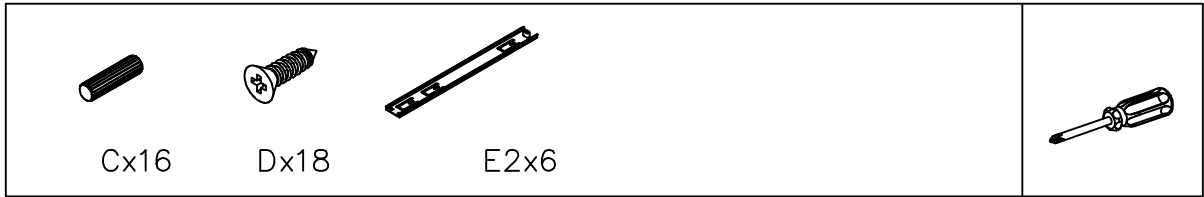
3



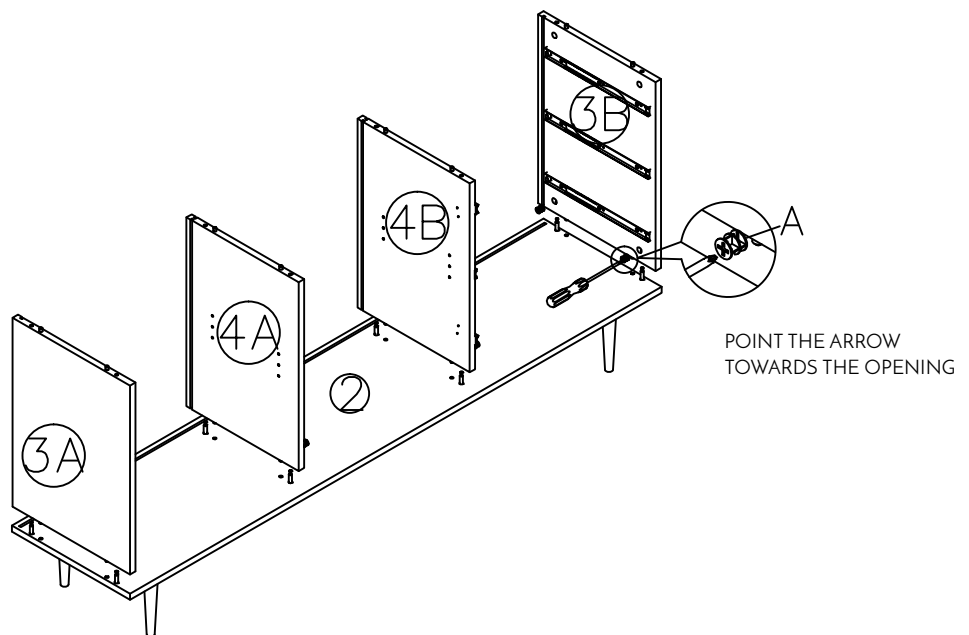
4



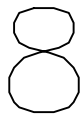
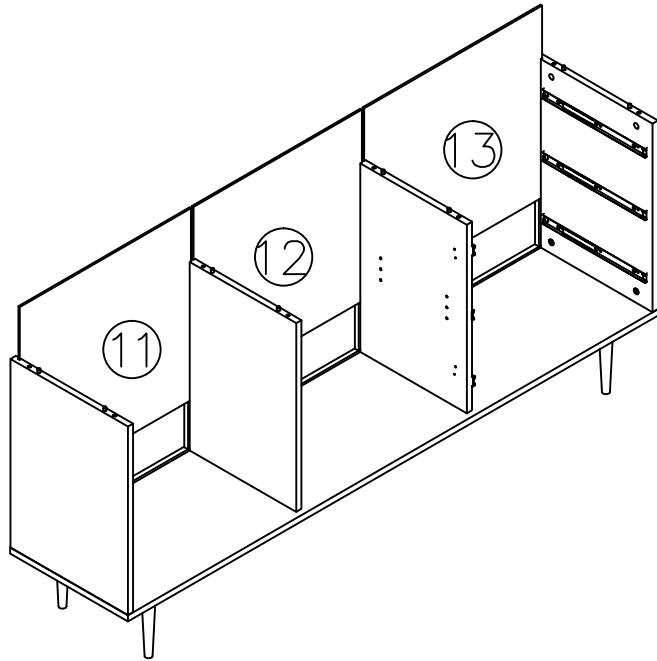
5



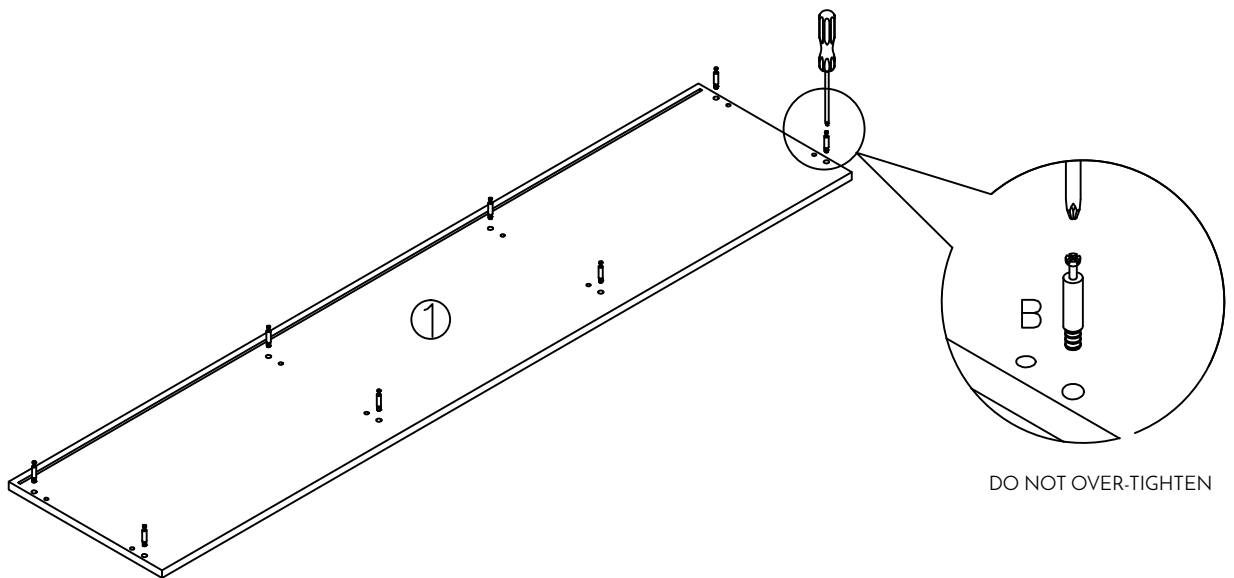
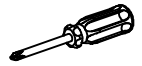
6



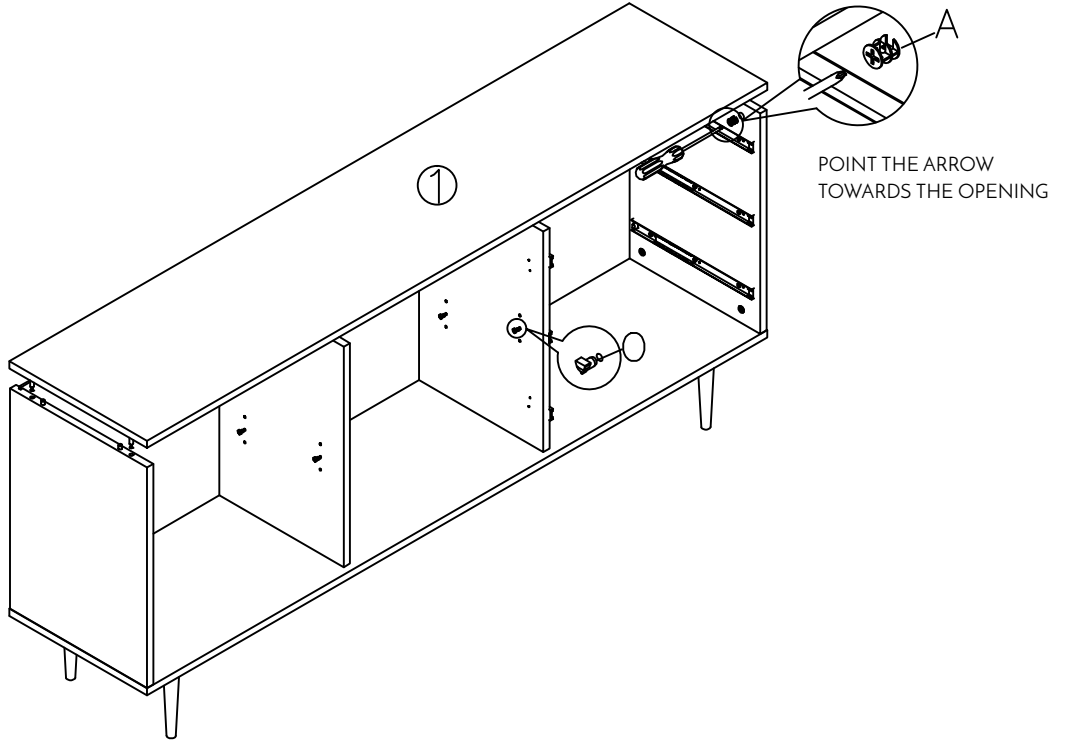
7



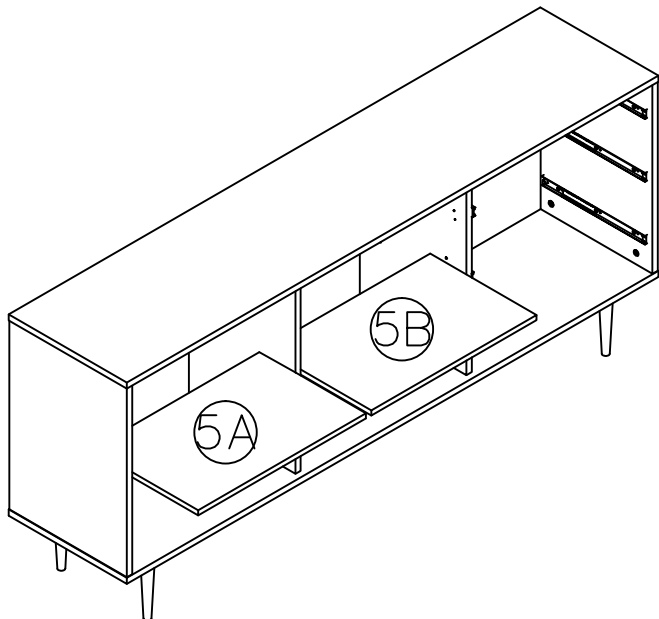
Bx8



9

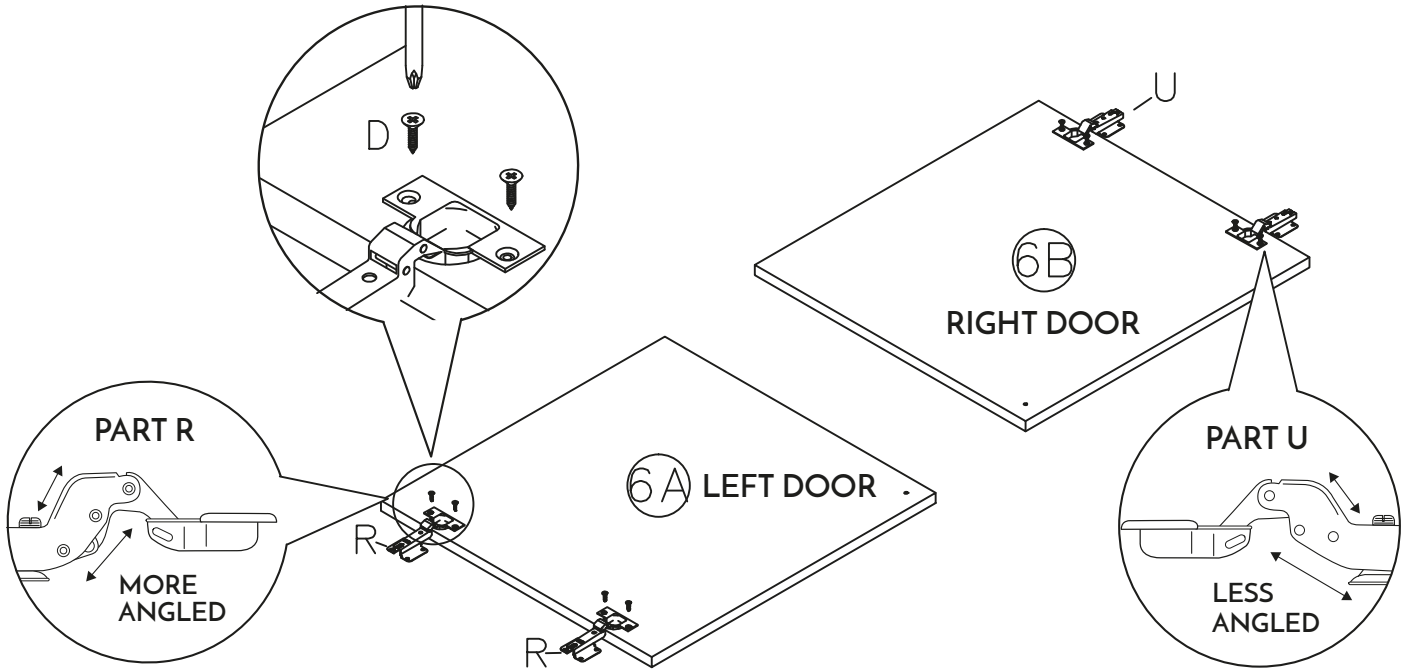
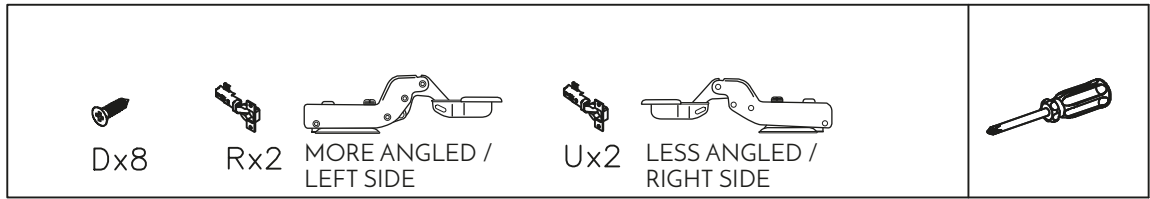


10

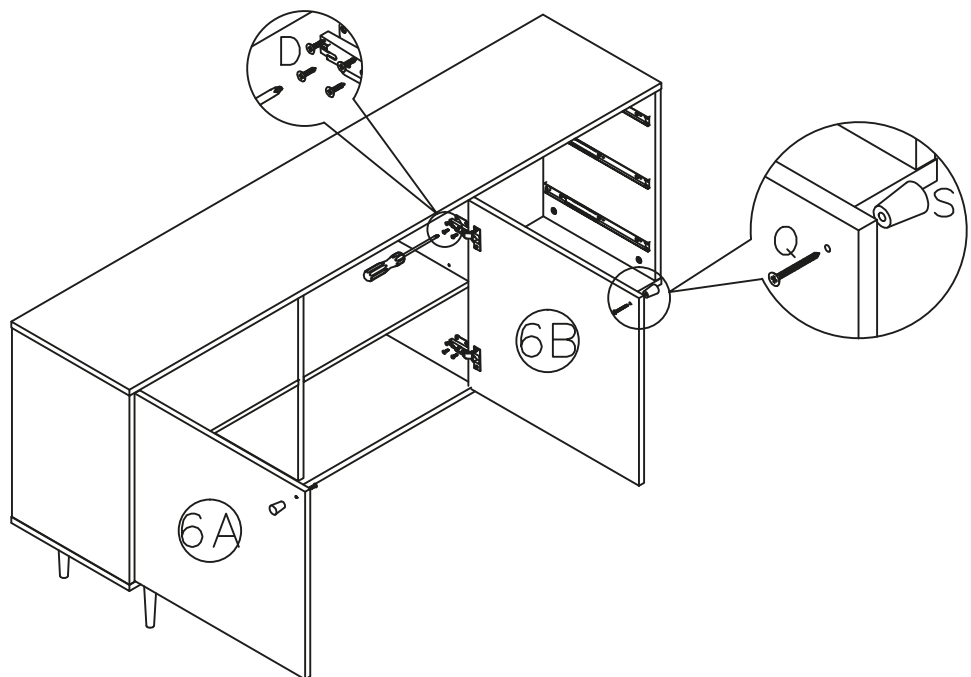


10-17

11

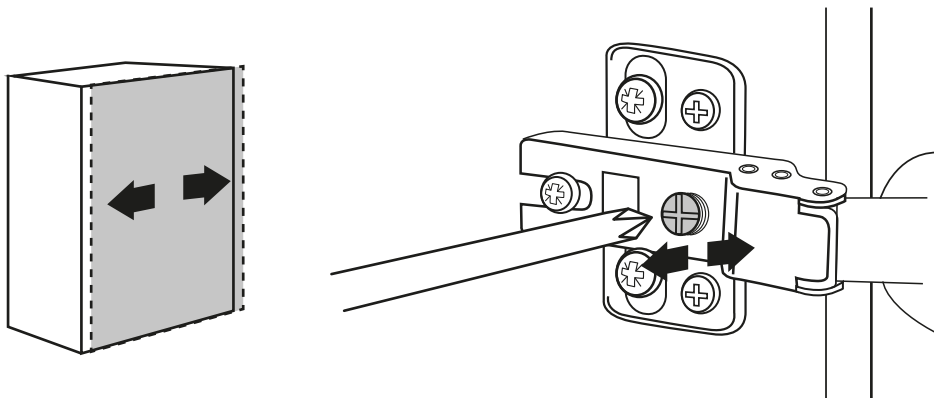
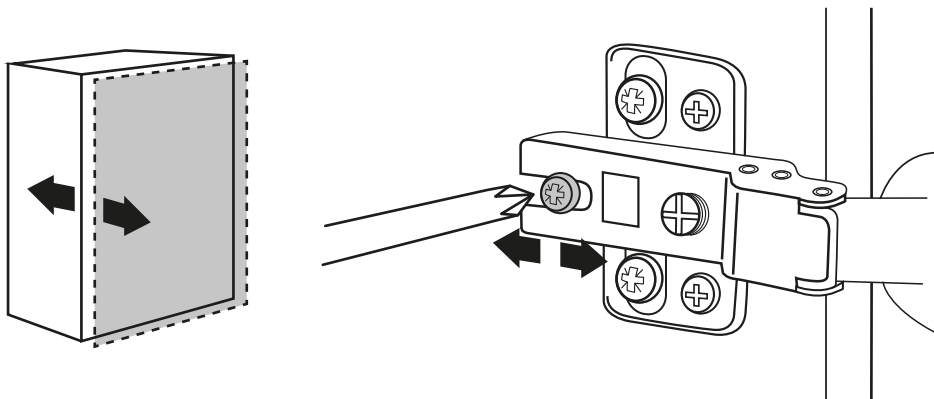
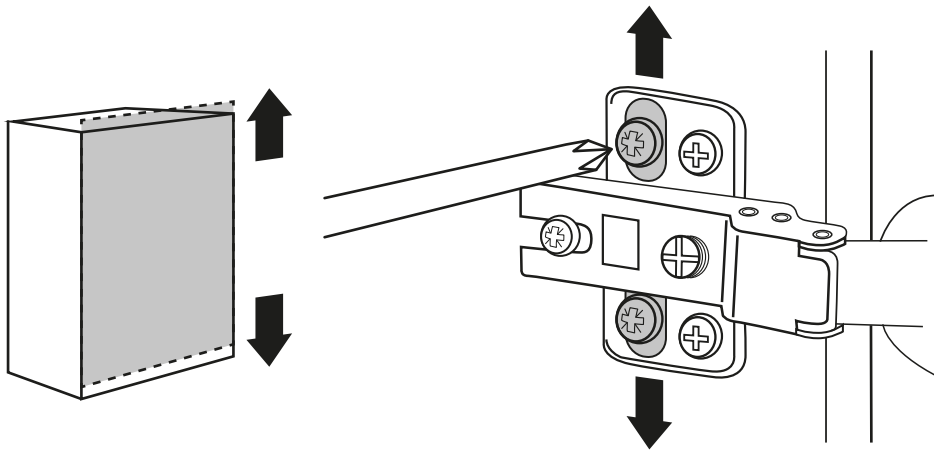


12



PLEASE TAKE NOTE

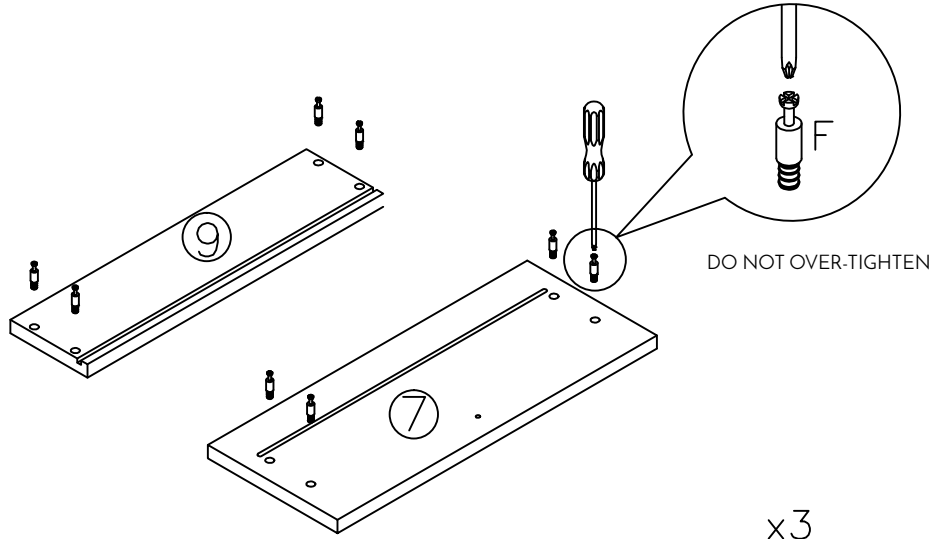
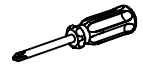
HINGE ADJUSTMENT GUIDE



13



Fx24

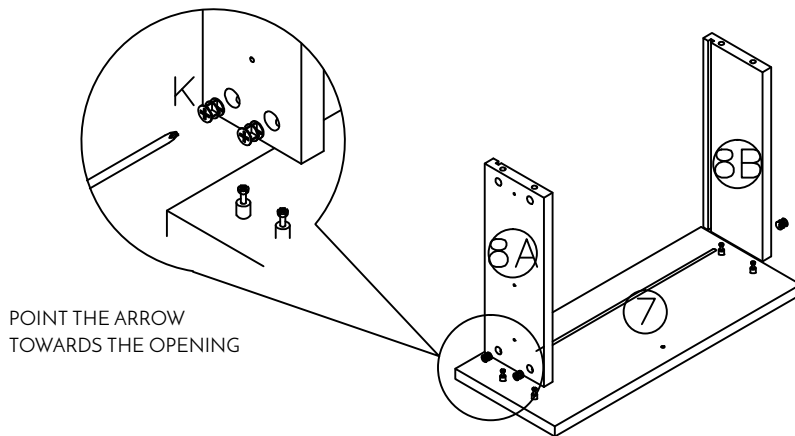


x3

14

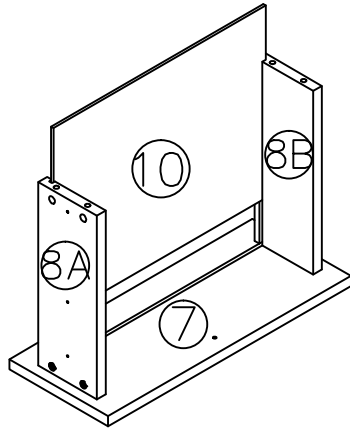


Kx12



x3

15

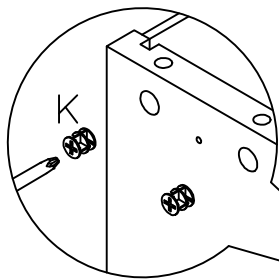


x3

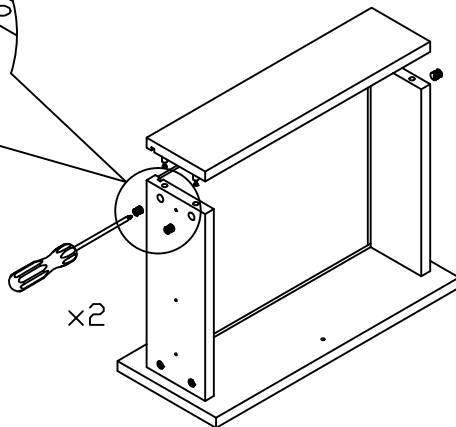
16



Kx12



POINT THE ARROW
TOWARDS THE OPENING



x3

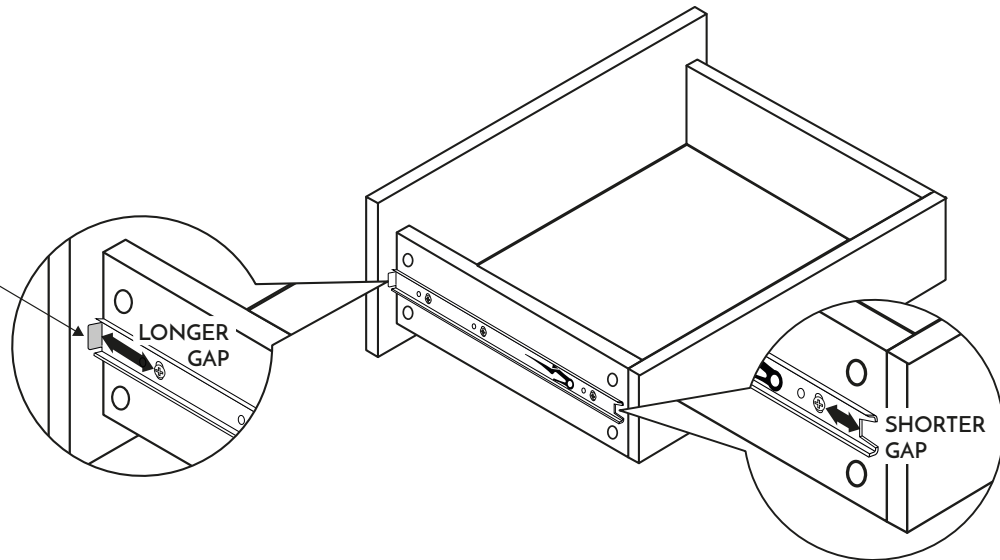
13-17

PLEASE TAKE NOTE

DRAWER RUNNERS GUIDE

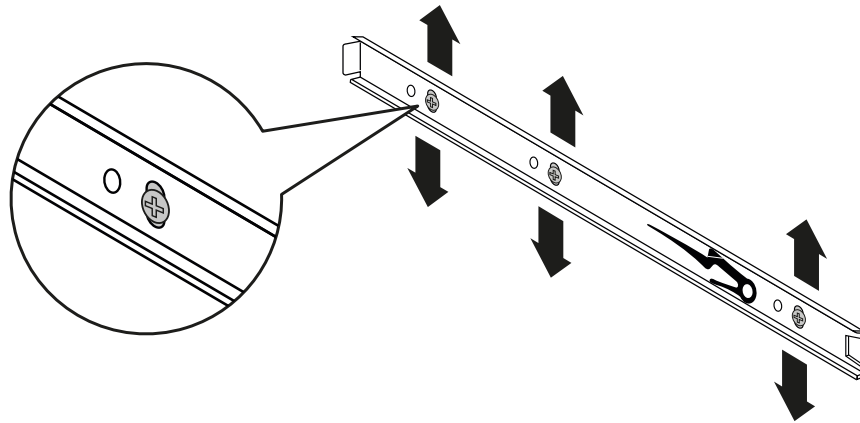
STEP ONE

Make sure the front plate is flushed directly against the drawer panel.



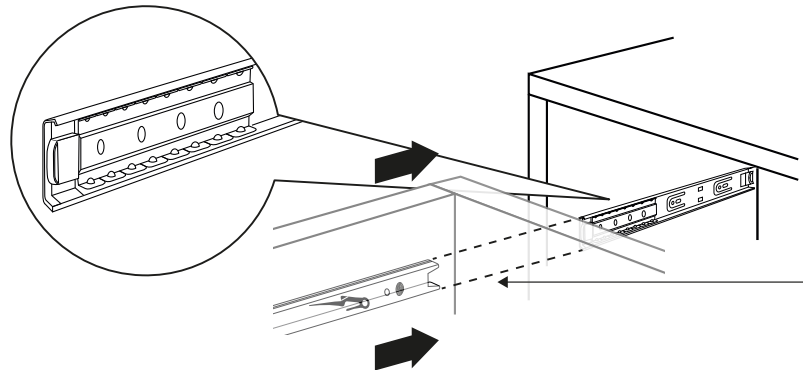
STEP TWO

The oval shaped screw holes are used to adjust the drawer heights accordingly (when needed)



STEP THREE

Before adjoining the tracks to the runners, please make sure that the ball bearings are positioned at the front.



STEP FOUR

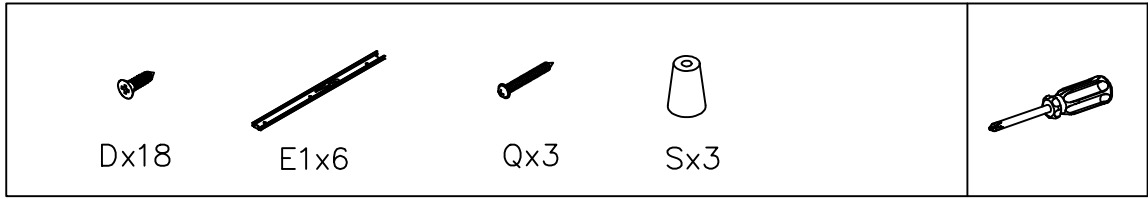
Align & fit both sides of the tracks with the runners and gently push them in an evenly manner. It is normal to feel some resistance. If you hear a **CLICK** then both components have successfully connected.

If only one side has connected and the other other has not, please remove the entire drawer and repeat the alignment process.

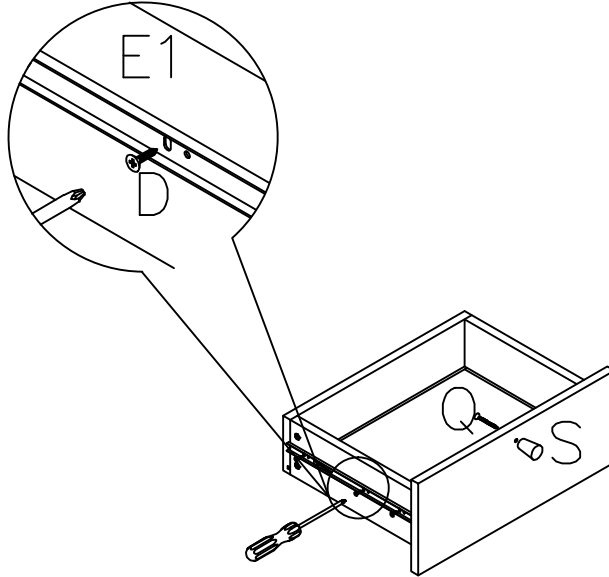
WARNING

Please do not try to force push the drawers in, as it risks breaking the ball bearings located on the runners.

17

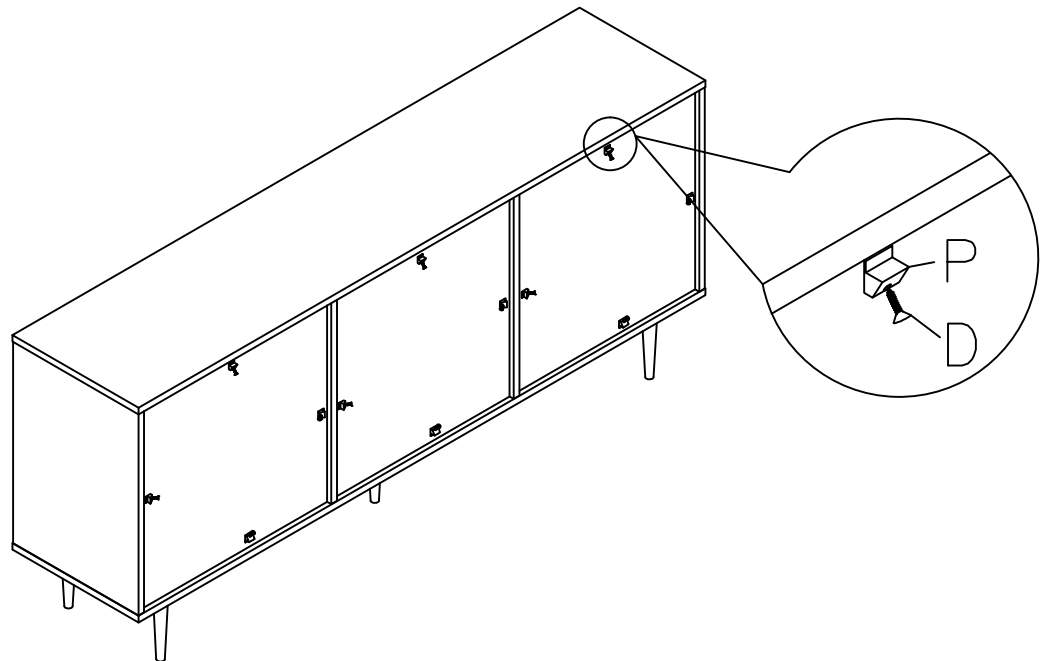


OVAL SHAPED
SCREW HOLE



x3

18

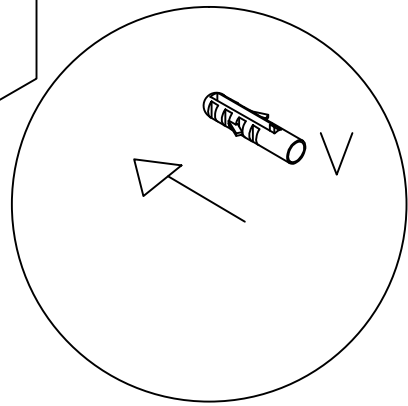
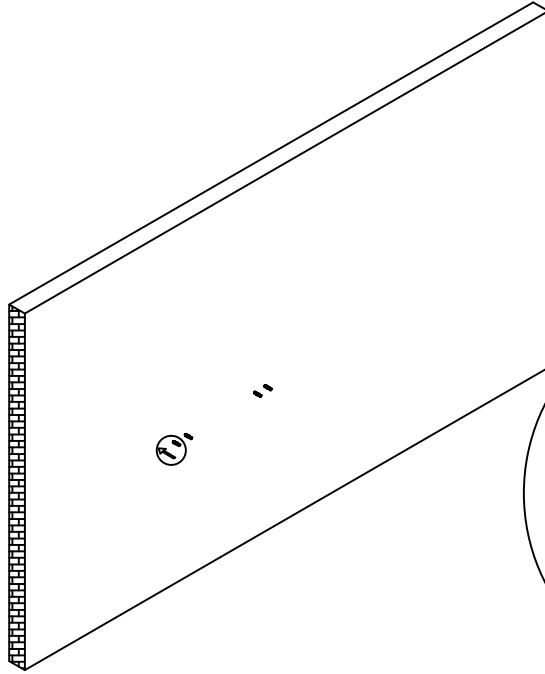
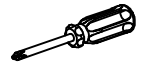


14-17

19



Vx4



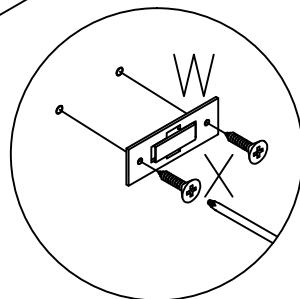
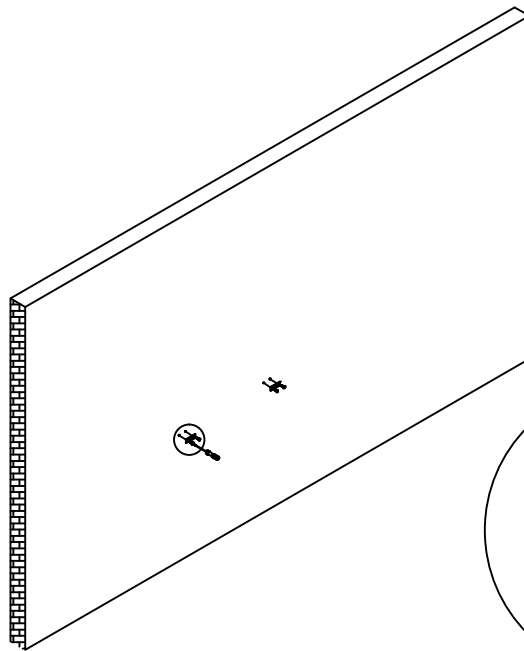
20



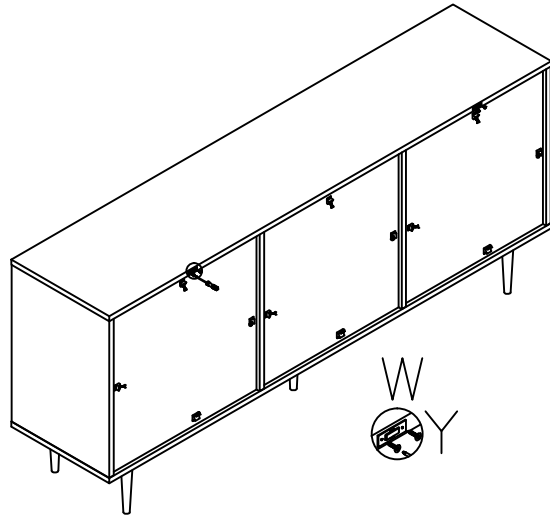
Wx2



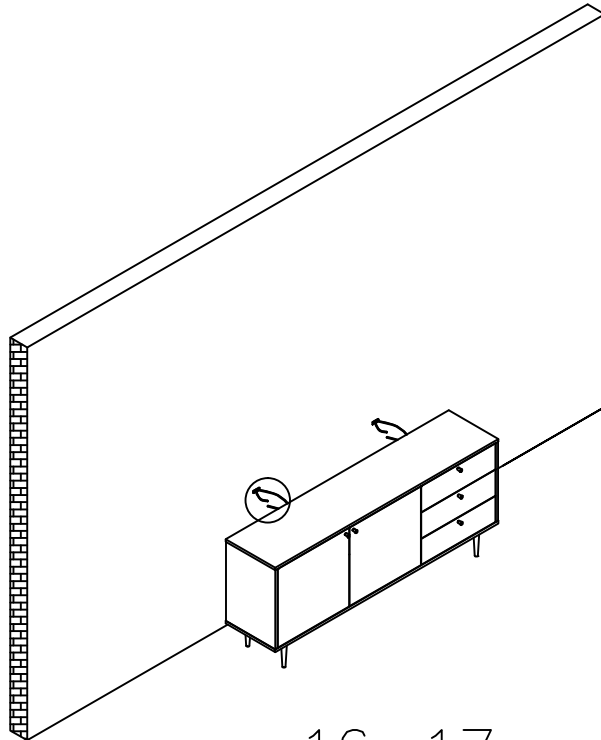
Xx4



21

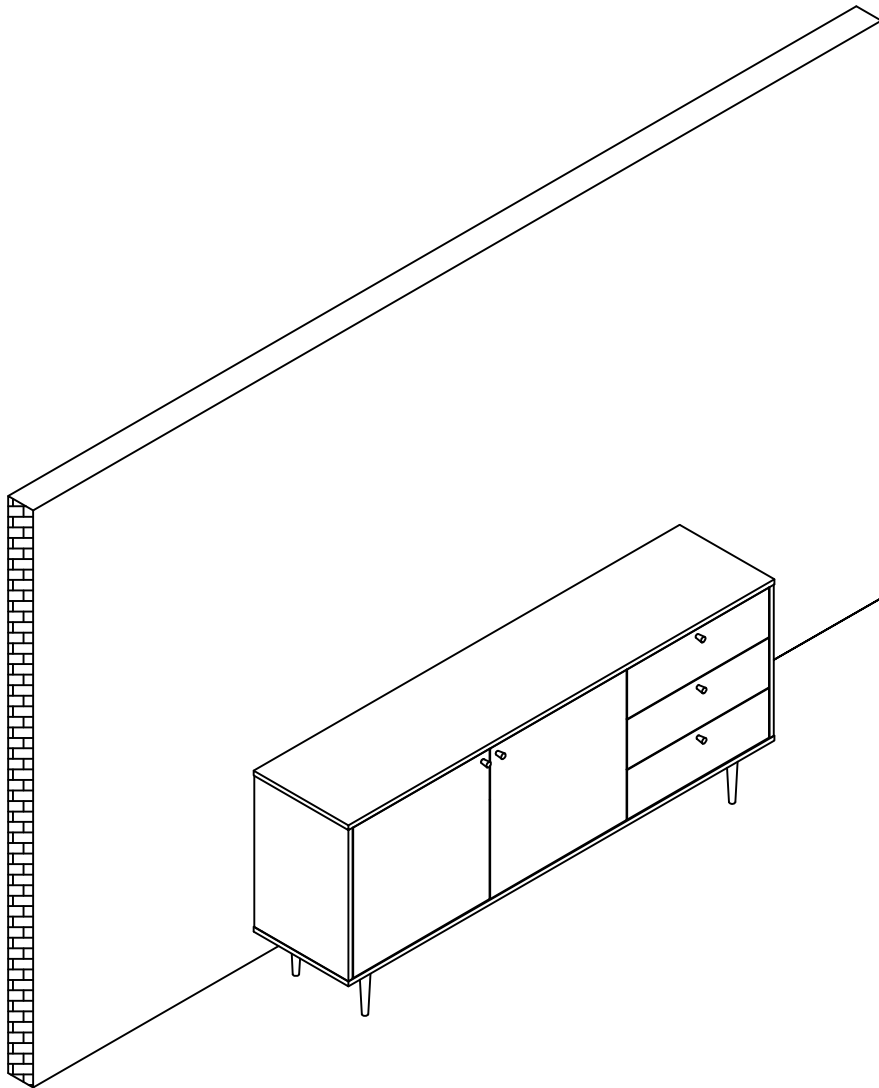


22



16-17

23



WARNING

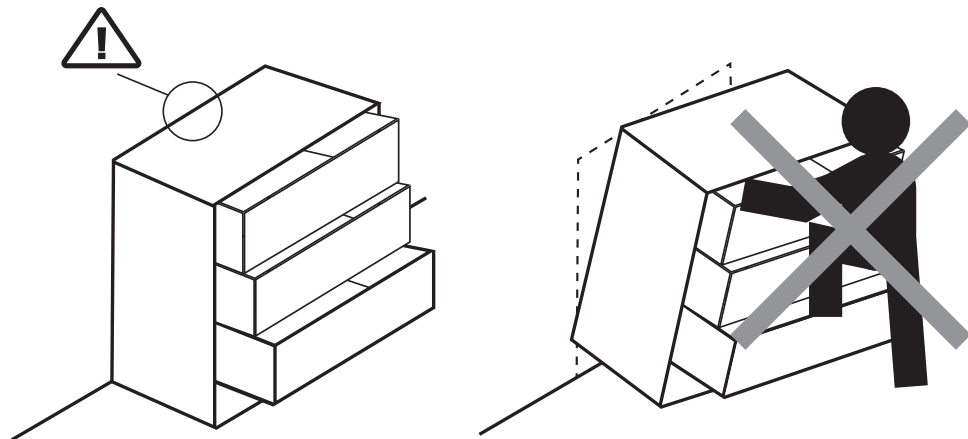
Serious or fatal crushing injuries can occur from furniture tip-over.

This guide specifies best practice for freestanding furniture items, such as (but not limited to): Bedroom Storage (over 50cm), Bookcases & Shelves (over 60cm), Storage Units and Modular Cubes (over 60cm), Entertainment Units (over 50cm), Buffets, Hutches & Sideboards (over 50cm), Filing Cabinets & Home Office Furniture (over 50cm), Laundry Shelving (over 60cm) and Garage/Garden Shelving (over 50cm).

To help prevent tip over:

- Place heaviest items in the lowest compartments.
- Unless specifically designed to accommodate, do not set other heavy objects on top of this product.
- Never allow children to climb or hang on drawers, doors, or shelves.
- Never open more than one drawer at a time (OR)
- Do not defeat or remove the drawer interlock system.

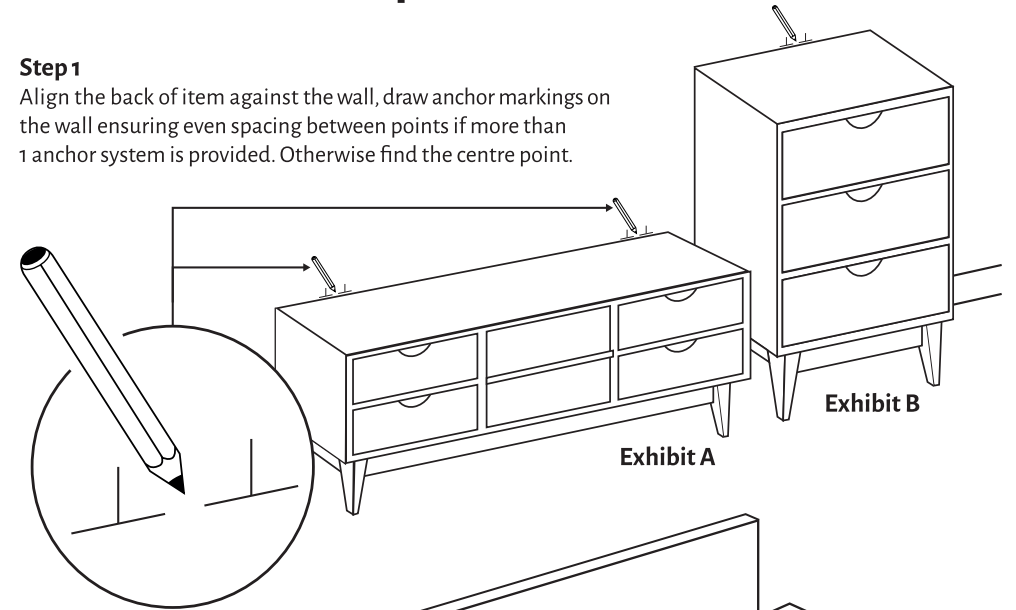
Use of tip-over restraints may only reduce, but not eliminate, the risk of tip-over.



Installation Example:

Step 1

Align the back of item against the wall, draw anchor markings on the wall ensuring even spacing between points if more than 1 anchor system is provided. Otherwise find the centre point.



Step 2

Install **anchor point A** to back of the item

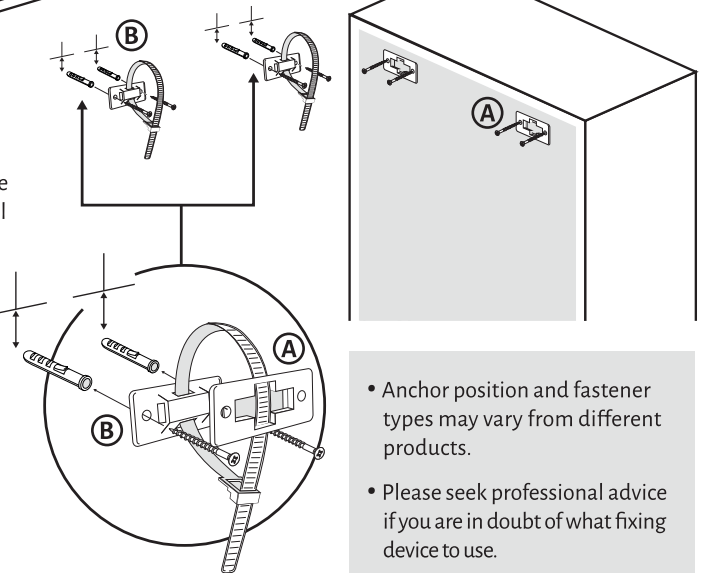
Step 3

To install **anchor point B**, drill hole at markings provided on the wall and insert wall plug. Tighten screw through anchor point B into wall plug to secure.

(Please note different wall plugs may be required depending on the wall. Common wall types are as follows: Plasterboard, Masonry & Timber)

Step 4

Line up anchor point A with point B. Tighten anchor strap to secure.



- Anchor position and fastener types may vary from different products.
- Please seek professional advice if you are in doubt of what fixing device to use.