

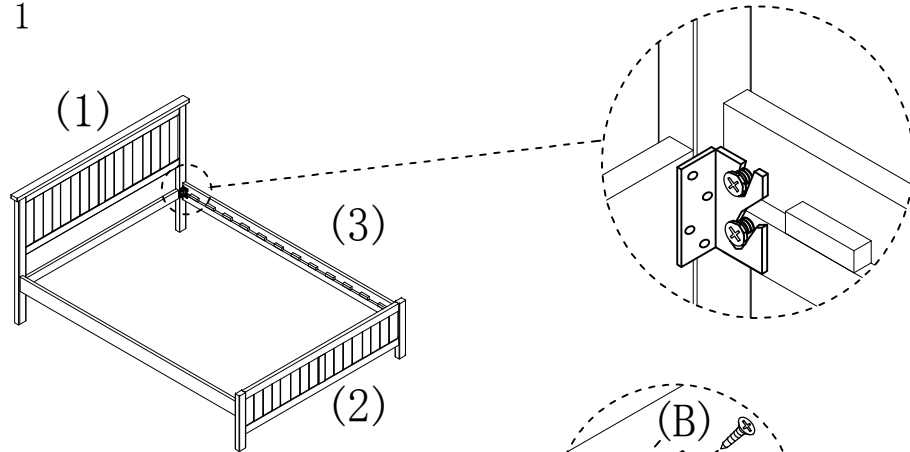
ASSEMBLY INSTRUCTION

Please read instruction carefully. Be sure all parts are complete before assembling, and place all wooden furniture parts on a clean, flat and sort surface to prevent scratches. Please refer assembling steps as below pictures provided.

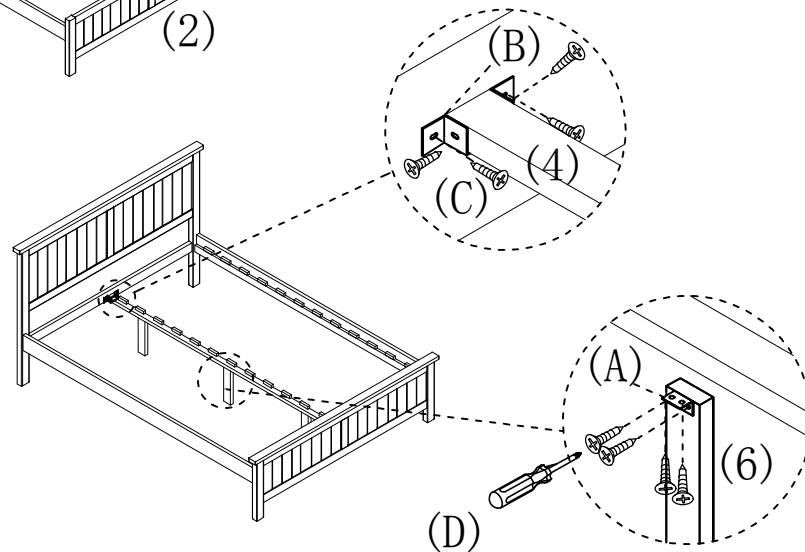
CAUTION:

1. Please do not FULLY-TIGHTEN the nuts or nut bolts until all of them are in place.
2. To prevent thread damage, please ensure that nuts or nut bolts are not over tighten.
3. Please make sure all accessories are kept out of the reach of children.

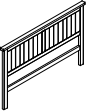
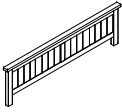




STEP 1



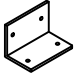
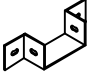
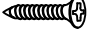
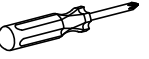
STEP 2



SNOW BED FRAME

(1) Headboard  1PC	(2) Footboard  1PC	(3) Side Rails  2PCS	(4) Centre Support Rail  1PC
(5) Slats  12PCS	(6) Support Legs  3PC		

ACCESSORIES

(A)  6PCS	(B)  2PCS	(C)  4*35 42PCS	(D)  1PC
--	--	---	---

STEP 3

