

# ASSEMBLY INSTRUCTION

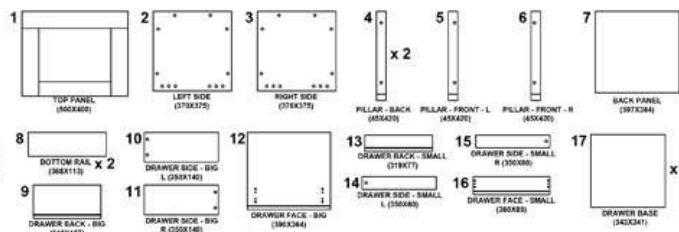
# BEDSIDE TABLE

“Must not drag or push after assembly. Please always lift the item for moving”.

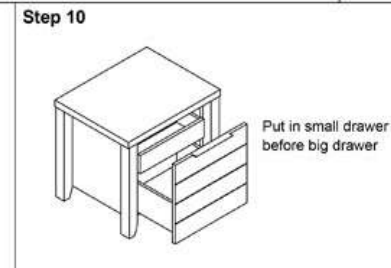
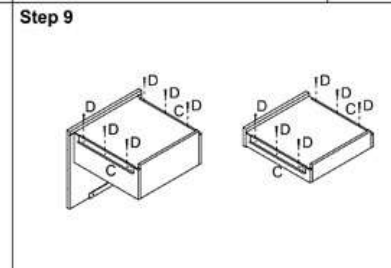
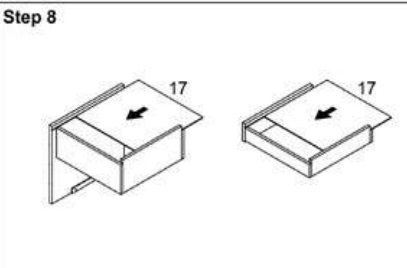
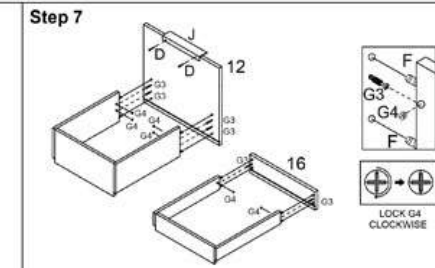
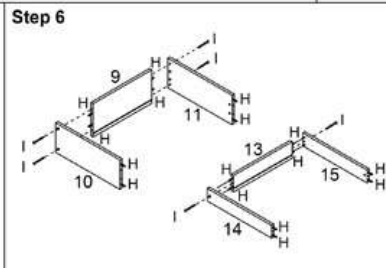
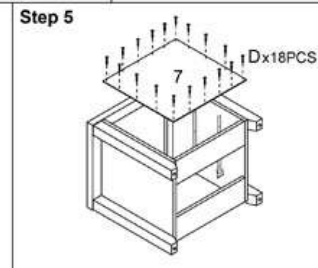
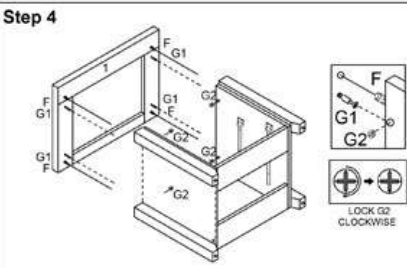
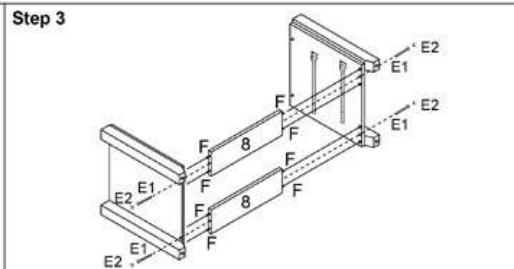
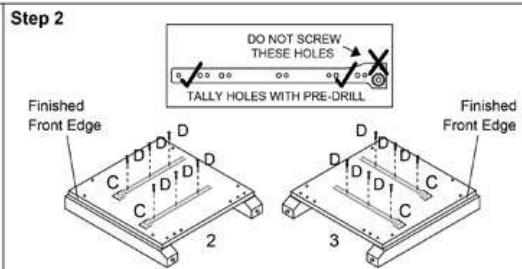
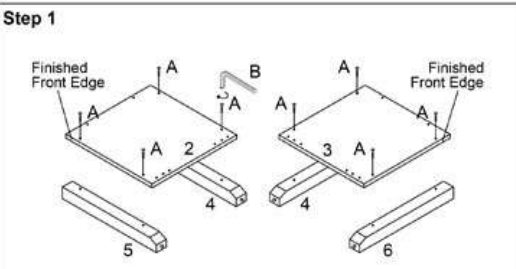
Read this instruction carefully. See hardware and furniture list for guidance. Be sure all part is complete before you assemble. Place all wooden part on a clean and flat soft surface to prevent from being scratched. Follow the figure to start assembling.

- CAUTIONS:
1. Do not FULLY-TIGHTEN the nut or nut bolt until all nut or bolts is ready assembled.
  2. Do not OVER-TIGHTEN the nut or nut bolt to avoid causing damages to the thread.
  3. Keep all hardware part out of reach of children.

NOTE: THE LIST AND QUANTITY SHOWN ARE FOR 1 UNIT ASSEMBLY.



A	B	C	D	E1	E2	F
KEY M 3.0309	ALLEN KEY M1	1" DRAWER SLIDE	DR SCREW M3.0309	KEY M 3.0309	CAP	WOOD SCREW M 3.0309
X 8 PCS	X 1 PC	X 2 SETS	X 44 PCS	X 4 PCS	X 4 PCS	X 12 PCS
G1	G2	G3	G4	H	I	J
WIPER	BIRO BOLT - W	WIPER FOR DRAWER	BIRO BOLT - WSP	WOOD SCREW M 3.0309	DR SCREW M 3.0309	HANDLE 200X85
X 4 PCS	X 4 PCS	X 6 PCS	X 6 PCS	X 16 PCS	X 6 PCS	X 1 PC



# ASSEMBLY INSTRUCTION

# TALLBOY

“Must not drag or push after assembly. Please always lift the item for moving”.

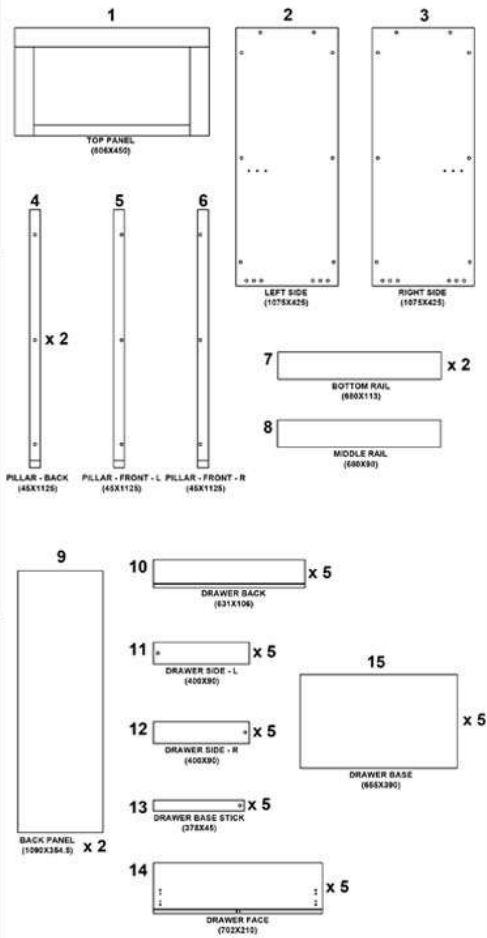
Read this instruction carefully. See hardware and furniture list for guidance. Be sure all part is complete before you assemble. Place all wooden part on a clean and flat soft surface to prevent from being scratched. Follow the figure to start assembling.

**CAUTIONS:**

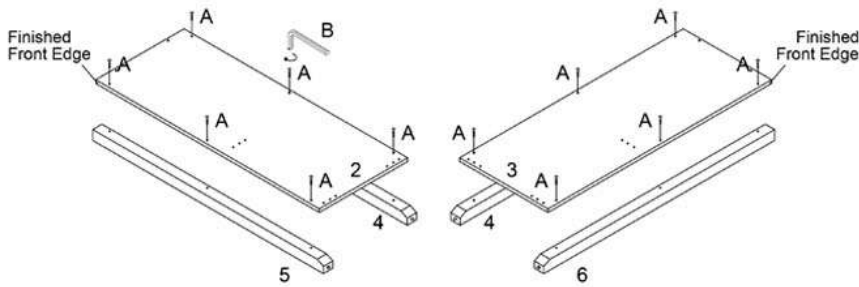
1. Do not FULLY-TIGHTEN the nut or nut bolt until all nut or bolts is ready assembled.
2. Do not OVER-TIGHTEN the nut or nut bolt to avoid causing damages to the thread.
3. Keep all hardware part out of reach of children.

NOTE: THE LIST AND QUANTITY SHOWN ARE FOR 1 UNIT ASSEMBLY.

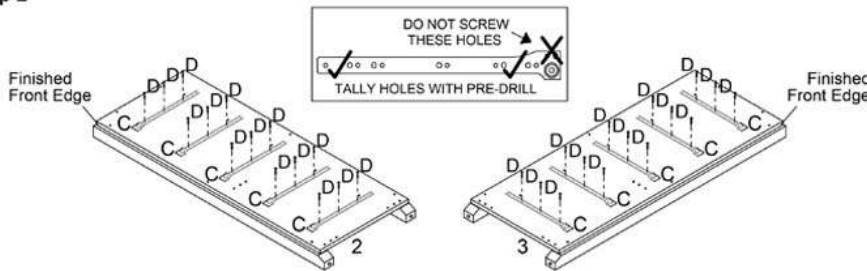
<b>A</b> JCRC M6 X 20MM X 12 PCS	<b>B</b> ALLEN KEY M6 X 1 PC	<b>C</b> 18° DRAWER SLIDE X 5 SETS	<b>D</b> CS SCREW M3.5 X 12MM X 100 PCS	<b>E1</b> JCRC M6 X 45MM X 6 PCS	<b>E2</b> CAP X 6 PCS	<b>F</b> WOOD DOWEL M6 X 20MM X 14 PCS
<b>G1</b> MINIFIX X 4 PCS	<b>G2</b> EURO BOLT - W X 4 PCS	<b>G3</b> MINIFIX FOR DRAWER X 15 PCS	<b>G4</b> EURO BOLT - HDP X 15 PCS	<b>H</b> WOOD DOWEL M6 X 20MM X 45 PCS	<b>I</b> CS SCREW M6 X 20MM X 15 PCS	<b>J</b> HANDLE 20MM X 5 PCS



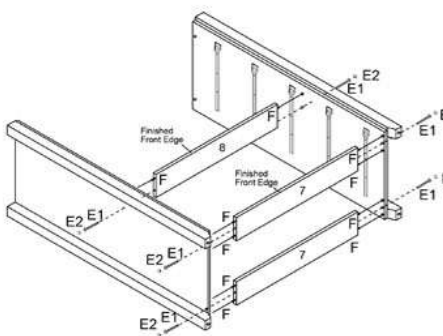
**Step 1**



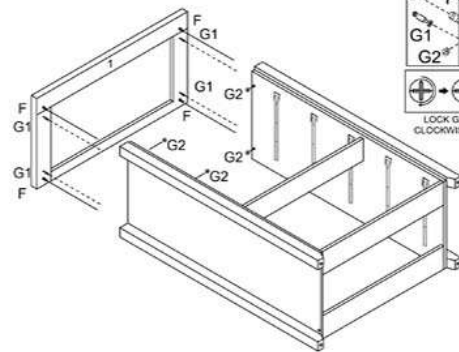
**Step 2**



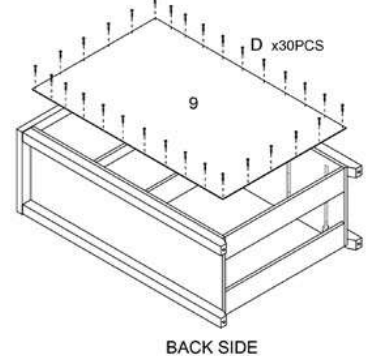
**Step 3**



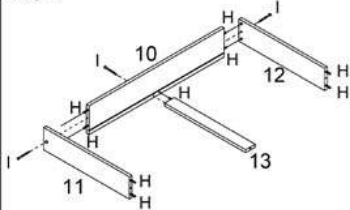
**Step 4**



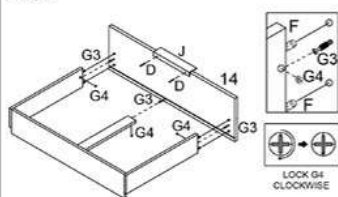
**Step 5**



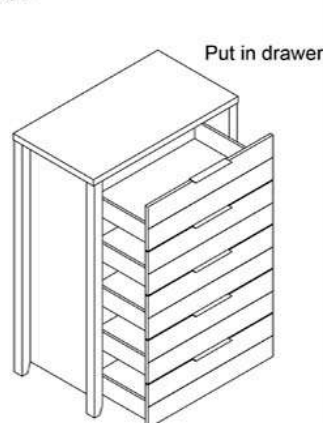
**Step 6**



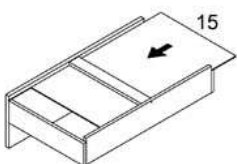
**Step 8**



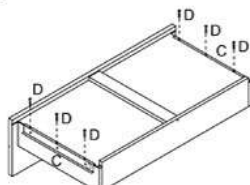
**Step 9**



**Step 7**



**Step 9**



**COMPLETED ASSEMBLY**

Must not drag or push after assembly. Please always lift the item for moving.

# ASSEMBLY INSTRUCTION

# QUEEN BED

"Must not drag or push after assembly. Please always lift the item for moving".

Read this instruction carefully. See hardware and furniture list for guidance. Be sure all part is complete before you assemble. Place all wooden part on a clean and flat soft surface to prevent from being scratched.

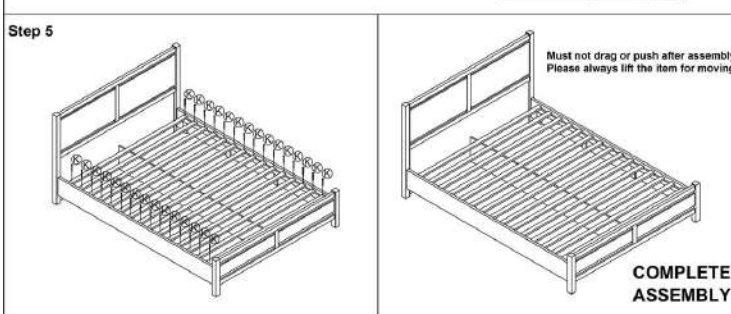
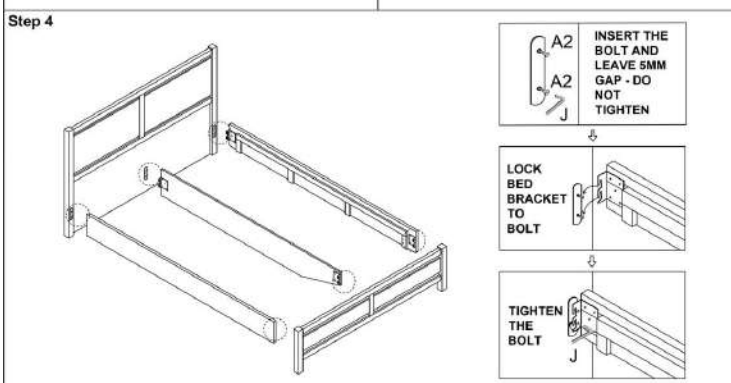
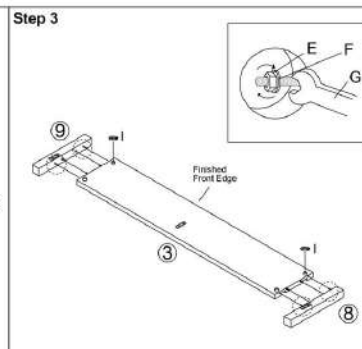
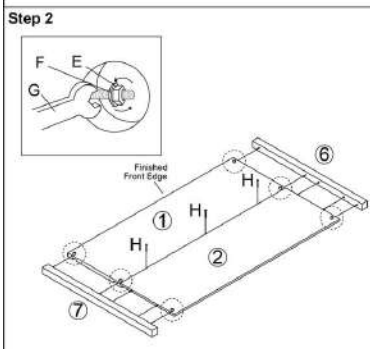
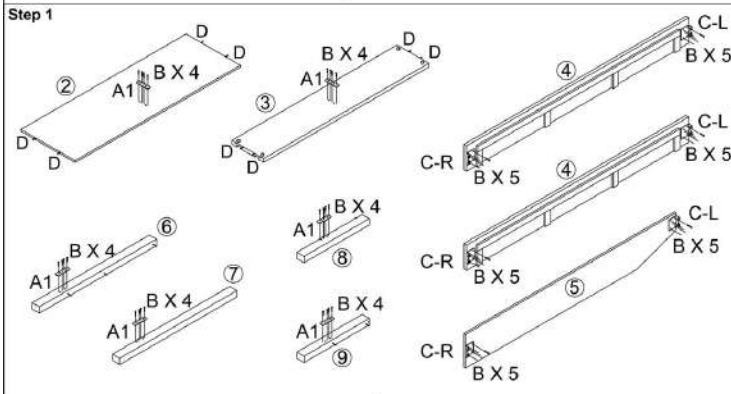
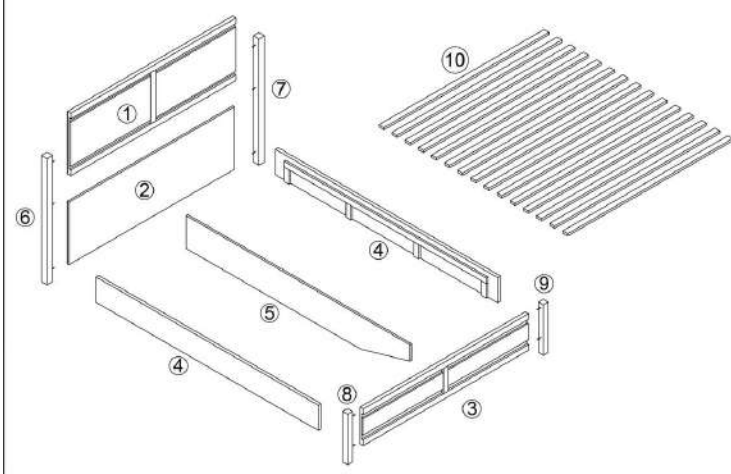
Follow the figure to start assembling.

**CAUTIONS:**

1. Do not FULLY-TIGHTEN the nut or nut bolt until all nut or bolts is ready assembled.
2. Do not OVER-TIGHTEN the nut or nut bolt to avoid causing damages to the threads.
3. Keep all hardware part out of reach of children.

NOTE: THE LIST AND QUANTITY SHOWN ARE FOR 1 UNIT ASSEMBLY.

A	B	C	D	E	F	G	H	I	J	K	
X 6 SETS	X 54 PCS	X 6 PCS	X 6 PCS	X 10 PCS	X 10 PCS	X 1 PC	X 3 PCS	X 2 PCS	X 1 PC	X 30 PCS	



# ASSEMBLY INSTRUCTION

# QUEEN BED

"Must not drag or push after assembly. Please always lift the item for moving".

Read this instruction carefully. See hardware and furniture list for guidance. Be sure all part is complete before you assemble. Place all wooden part on a clean and flat soft surface to prevent from being scratched.

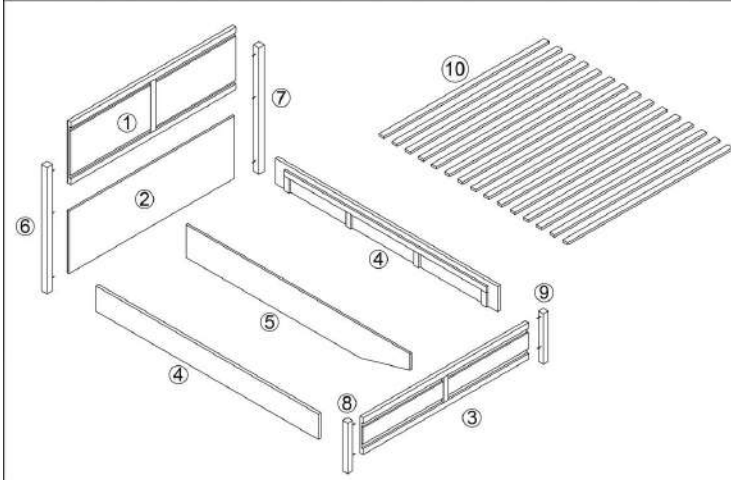
Follow the figure to start assembling.

CAUTIONS:

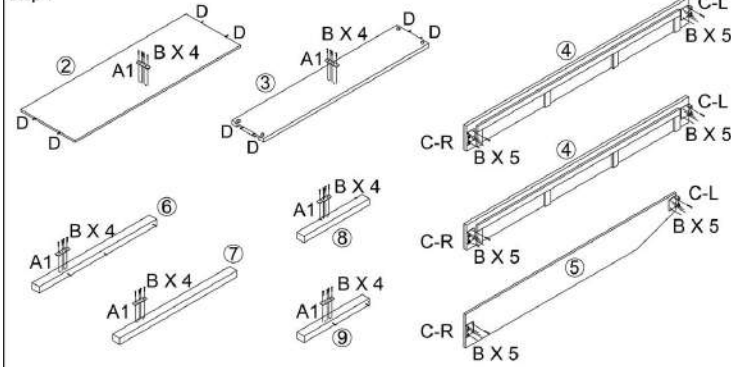
1. Do not FULLY-TIGHTEN the nut or nut bolt until all nut or bolts is ready assembled.
2. Do not OVER-TIGHTEN the nut or nut bolt to avoid causing damages to the threads.
3. Keep all hardware part out of reach of children.

NOTE: THE LIST AND QUANTITY SHOWN ARE FOR 1 UNIT ASSEMBLY.

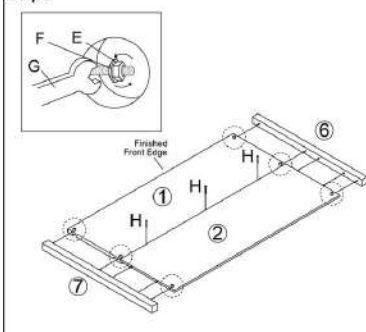
A	B	C	D	E	F	G	H	I	J	K
X 6 SETS	X 54 PCS	X 6 PCS	X 6 PCS	X 10 PCS	X 10 PCS	X 1 PC	X 3 PCS	X 2 PCS	X 1 PC	X 30 PCS



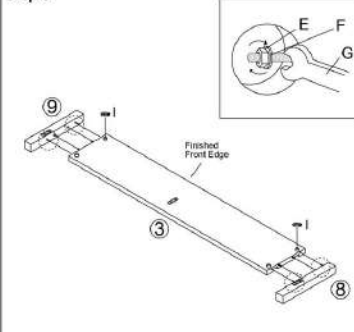
### Step 1



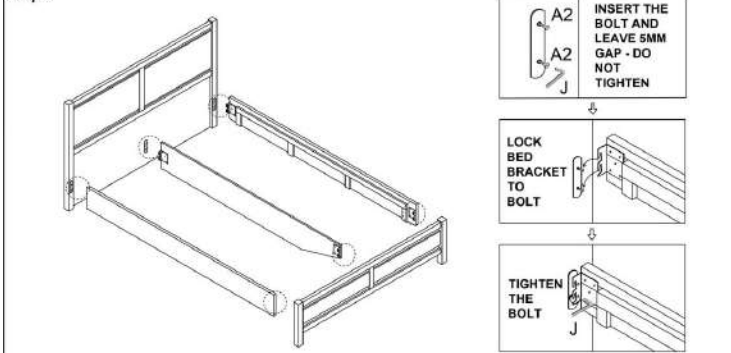
### Step 2



### Step 3



### Step 4



### Step 5

