




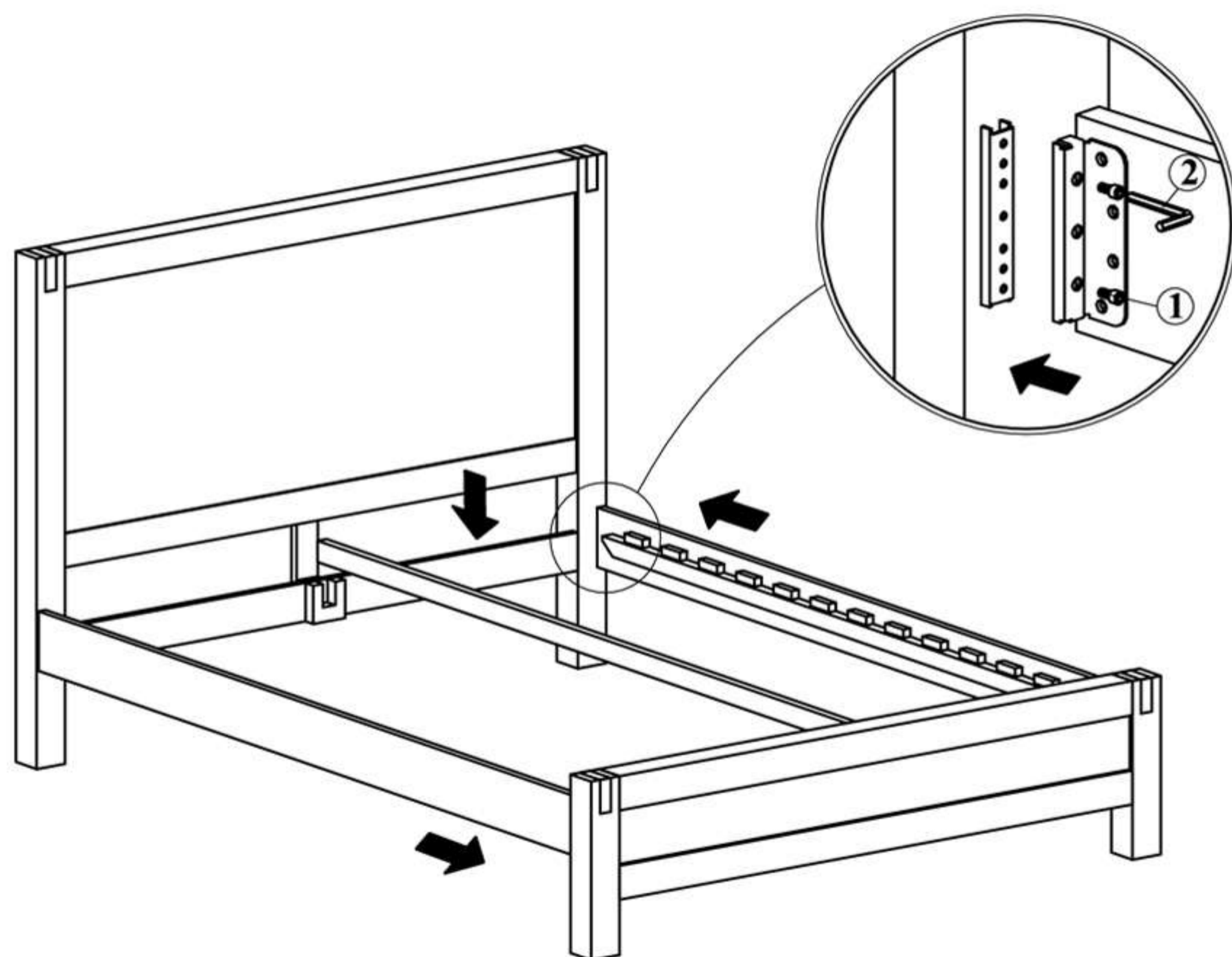
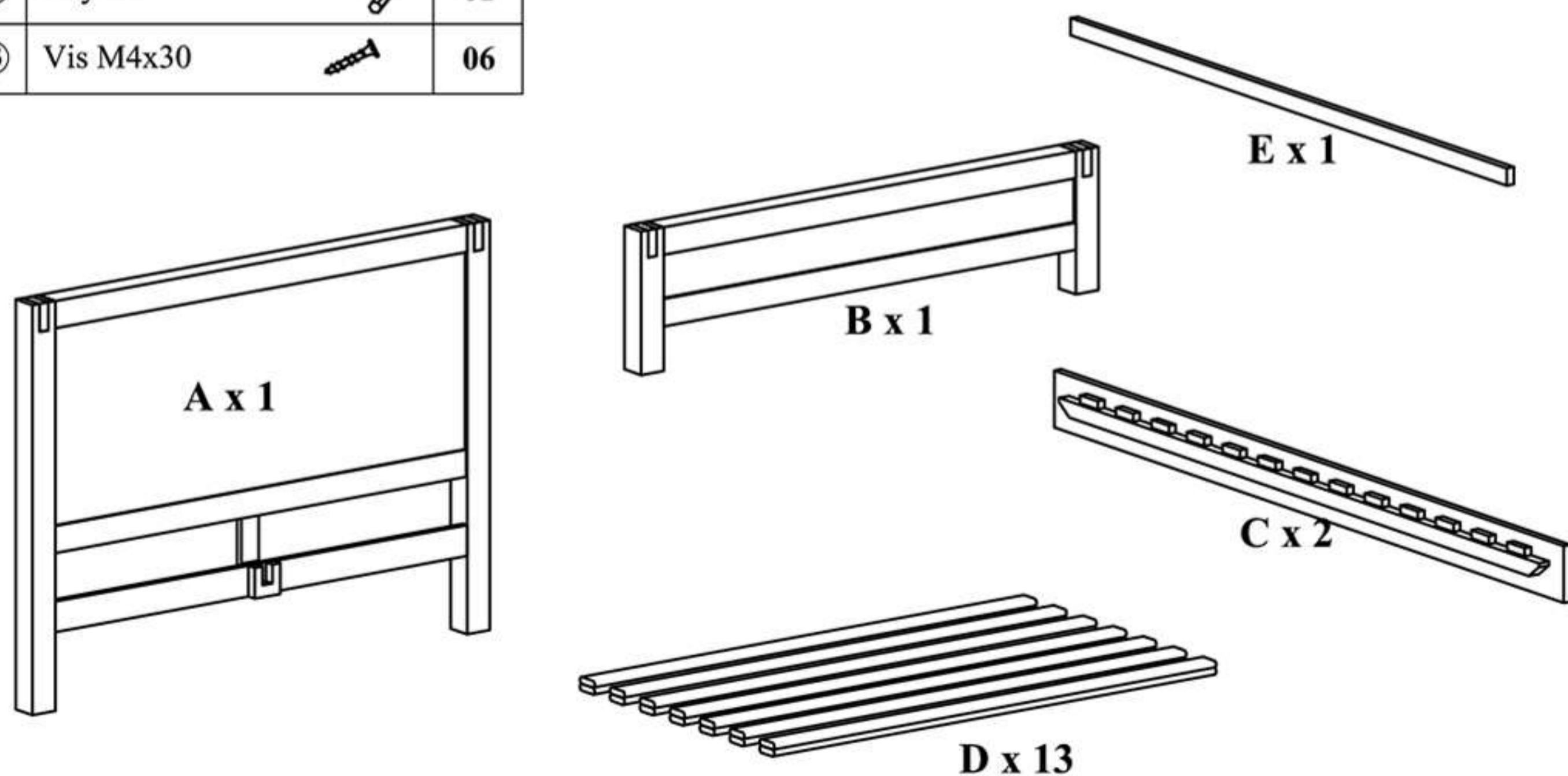
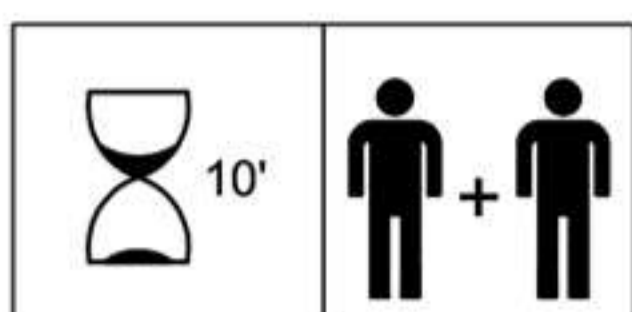
IMPORTANT NOTE:*PLACE ALL PARTS ON A CLEAN AND SMOOTH SURFACE SUCH AS A RUG OR CARPET TO AVOID THE PARTS FROM BEING SCRATCHED.

*KINDLY FOLLOW THE ASSEMBLY INSTRUCTIONS STEP BY STEP.

*DO NOT TIGHTEN ALL SCREWS UNTIL THE BED IS FULLY SET-UP.

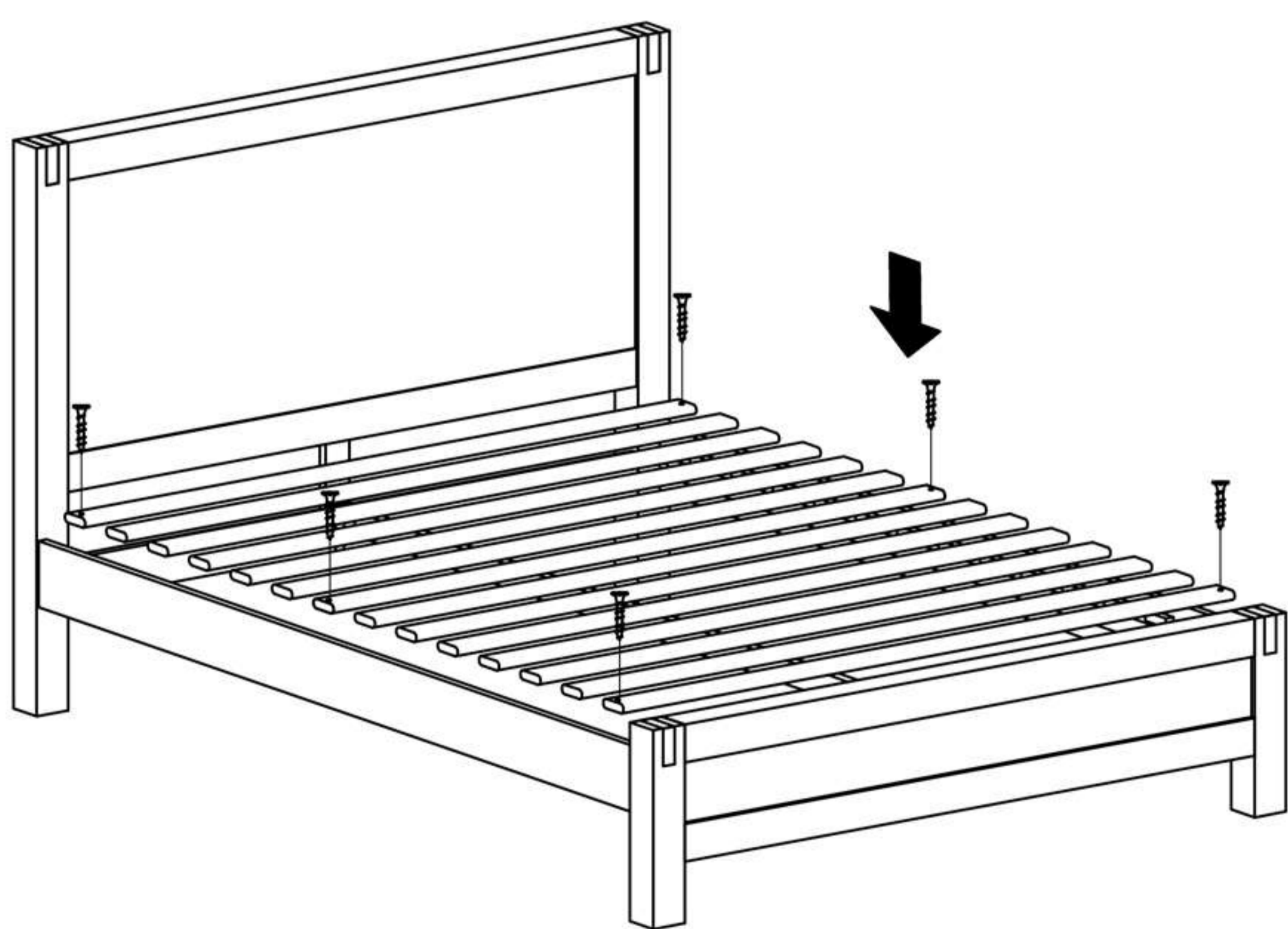
HARDWARE FOR WOODEN

No.	Hardware	Q.ty
①	Bolts M5x10 	08
②	Key K5 	01
③	Vis M4x30 	06

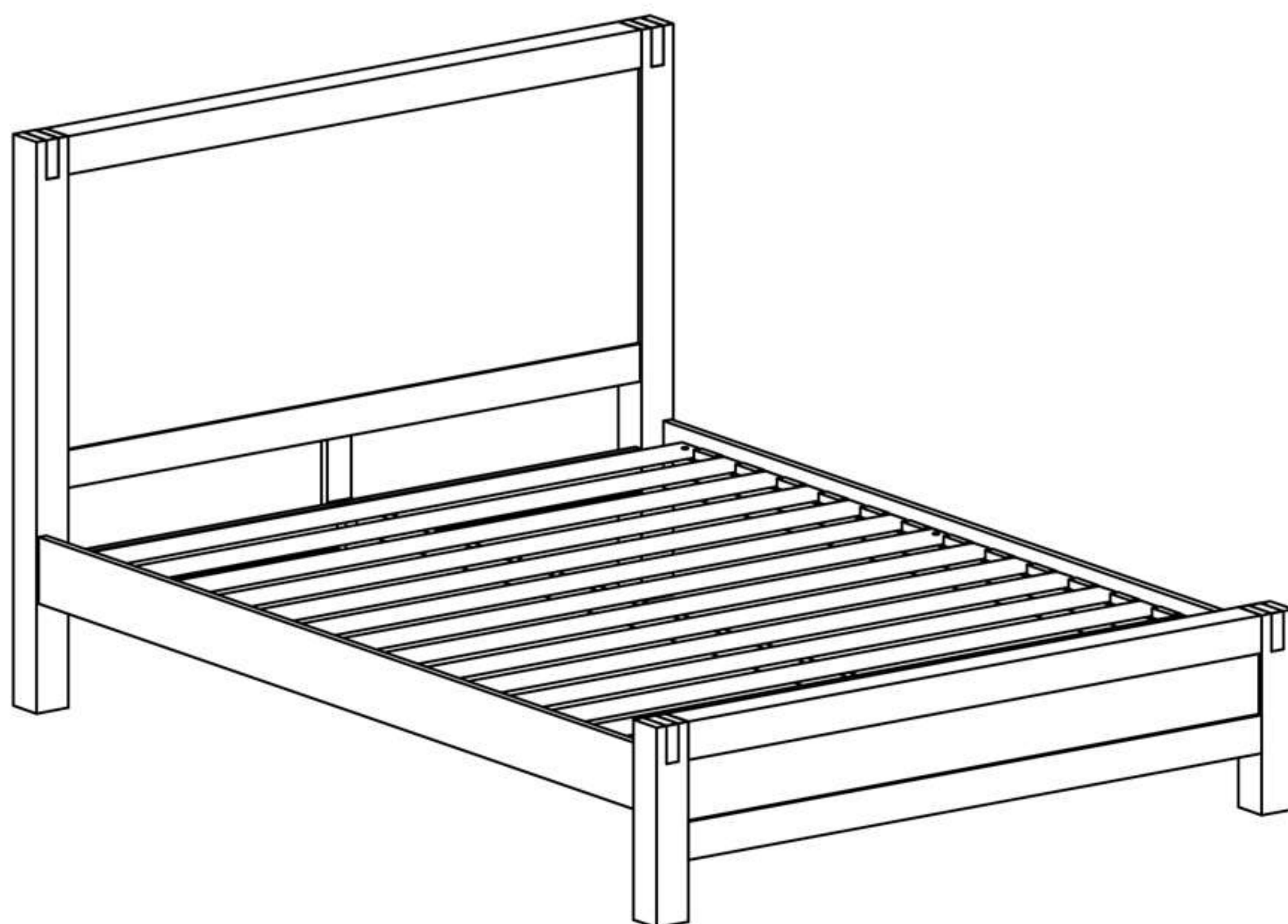


STEP 1

1 of 2



STEP 2



2 of 2