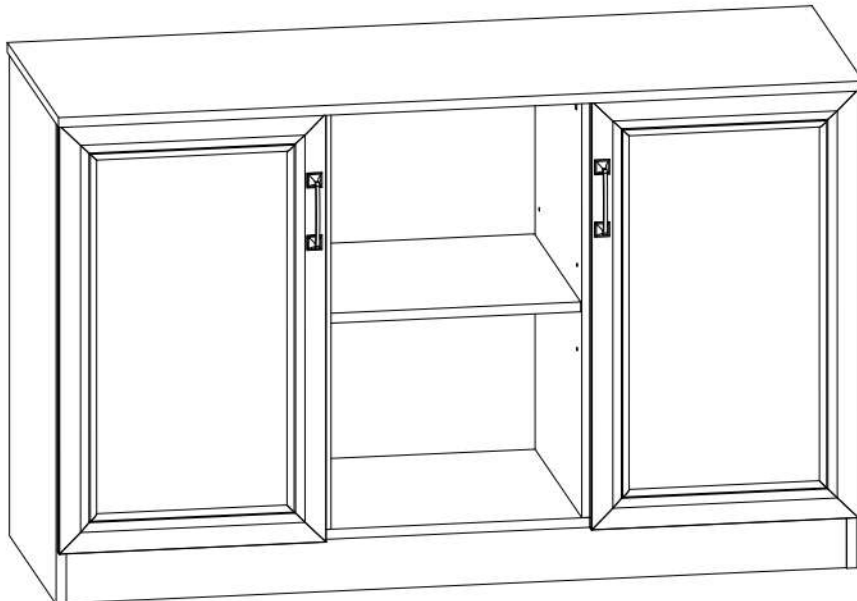


# ASSEMBLY INSTRUCTIONS

ITEM#: OF4300/OF4301

## Important Safety Instructions:

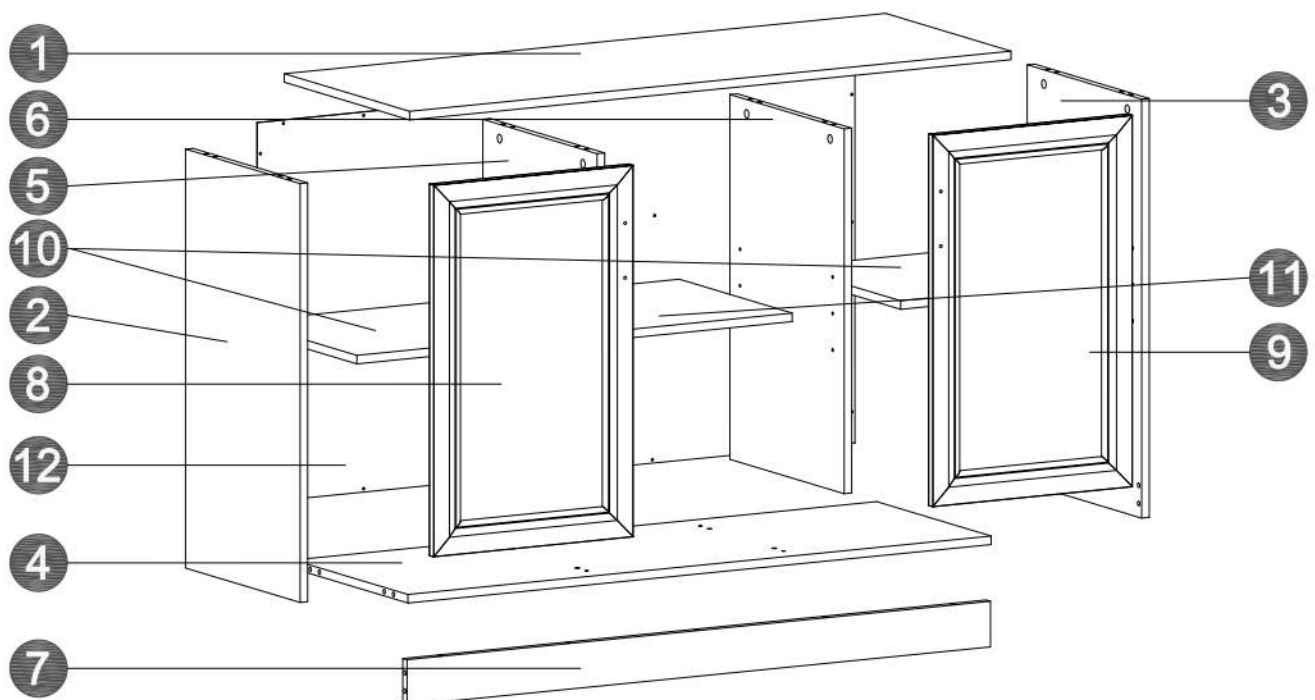
- Please read all instructions before beginning assembly
- Please make sure receive all the parcels to start the assembly
- For your safety and convenience, assembly by two people is recommended
- Use the parts and hardware lists to identify and separate each of the components included
- Save all packing materials until assembly is completed to avoid the accidental discarding of smaller parts or hardware



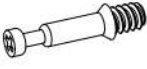



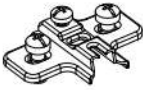

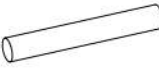
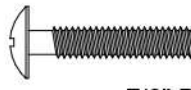
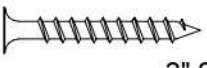


THANK YOU FOR PURCHASING






# PARTS LIST

1 X1	2 X1	3 X1	4 X1	5 X1
6 X1	7 X1	8 X1	9 X1	10 X2
11 X1	12 X1			



# HARDWARE LIST

Name	Part	Qty.	Spare
A		15	1
B		15	1
C		22	1
D		4	
E		4	
F		2	
G		12	
H	 7/8" Bolt	4	1
I	 2" Screw	4	
J	 5/8" Screw	8	1
K	 3/4" Nail	25	2

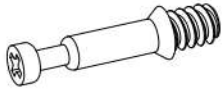
Name	Part	Qty.	Spare
U1		1	
U2		1	
U3		2	
U4		1	
U5		1	

# STEP 1

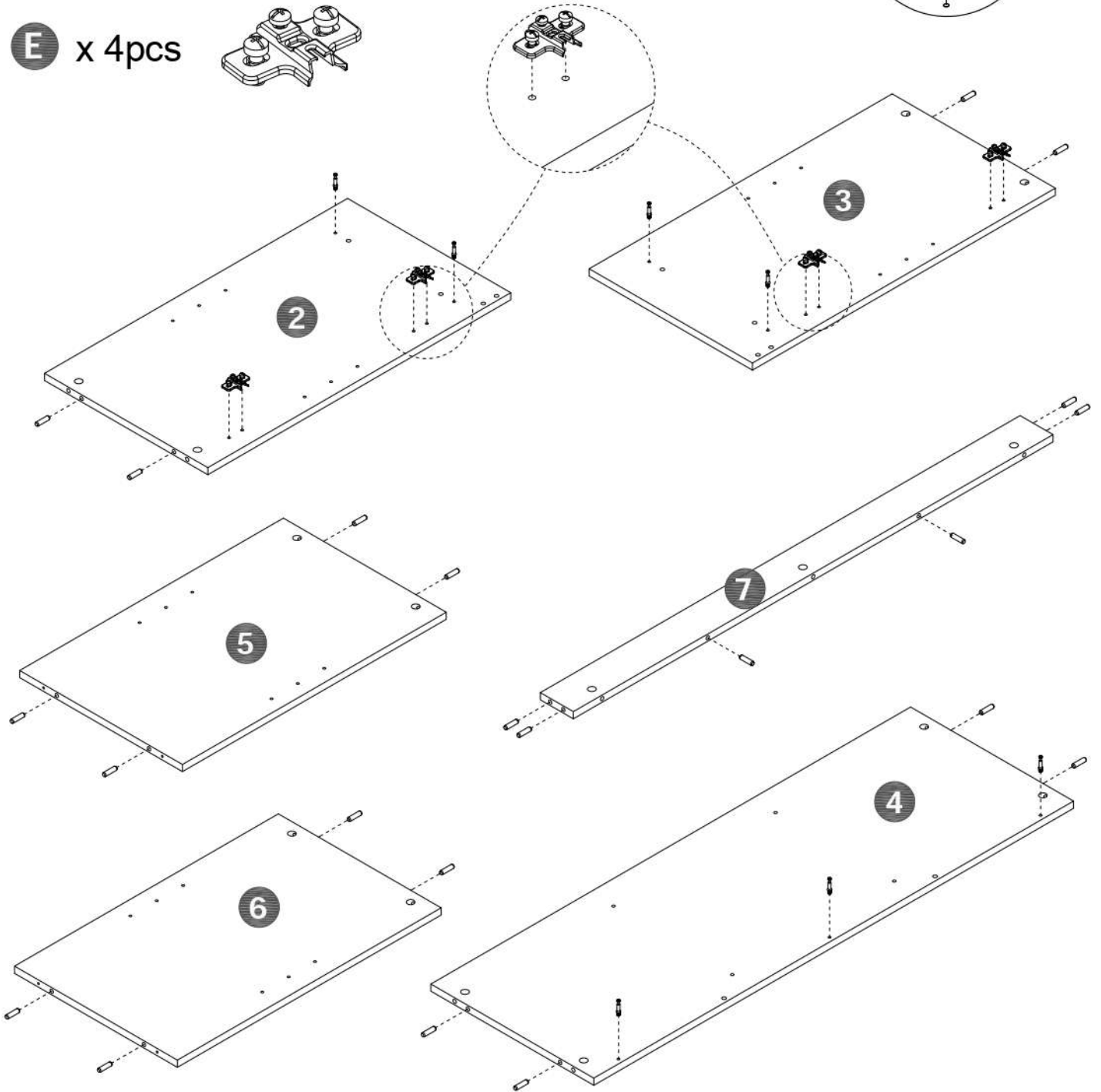
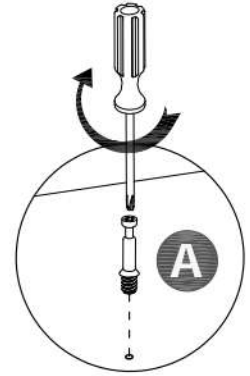
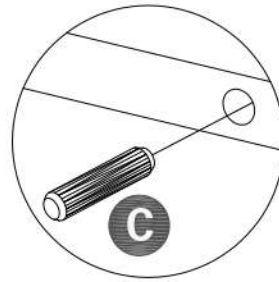
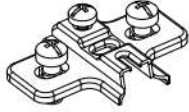
**C** x 22pcs



**A** x 7pcs

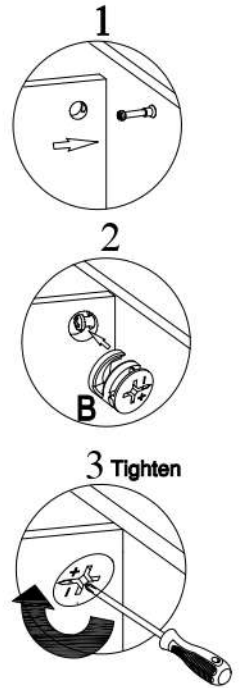
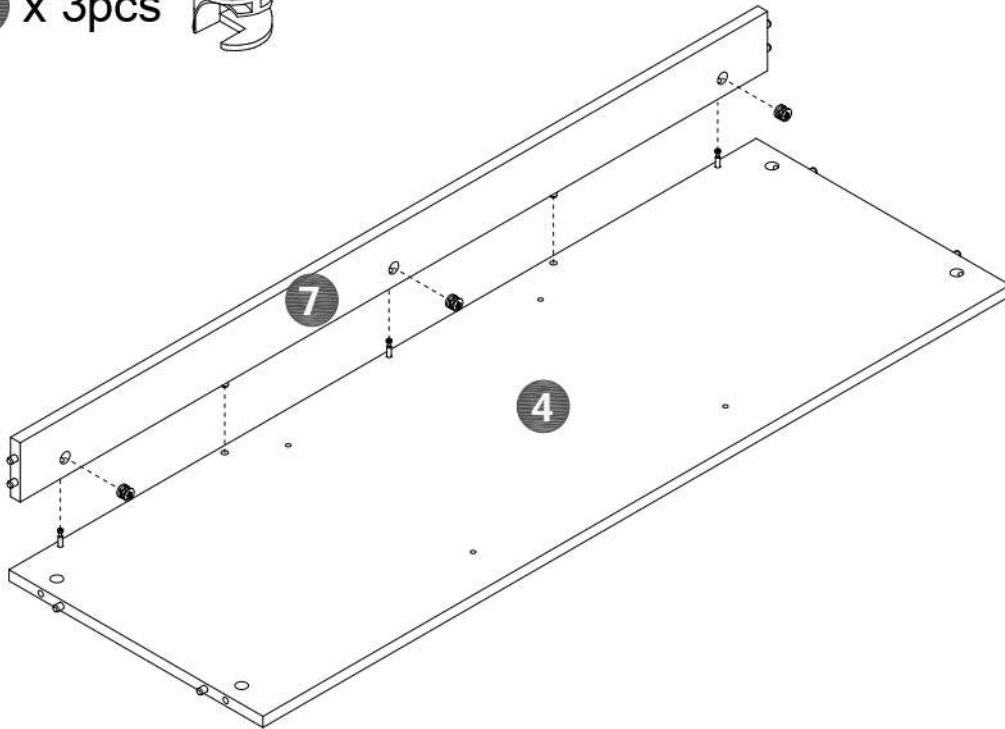


**E** x 4pcs



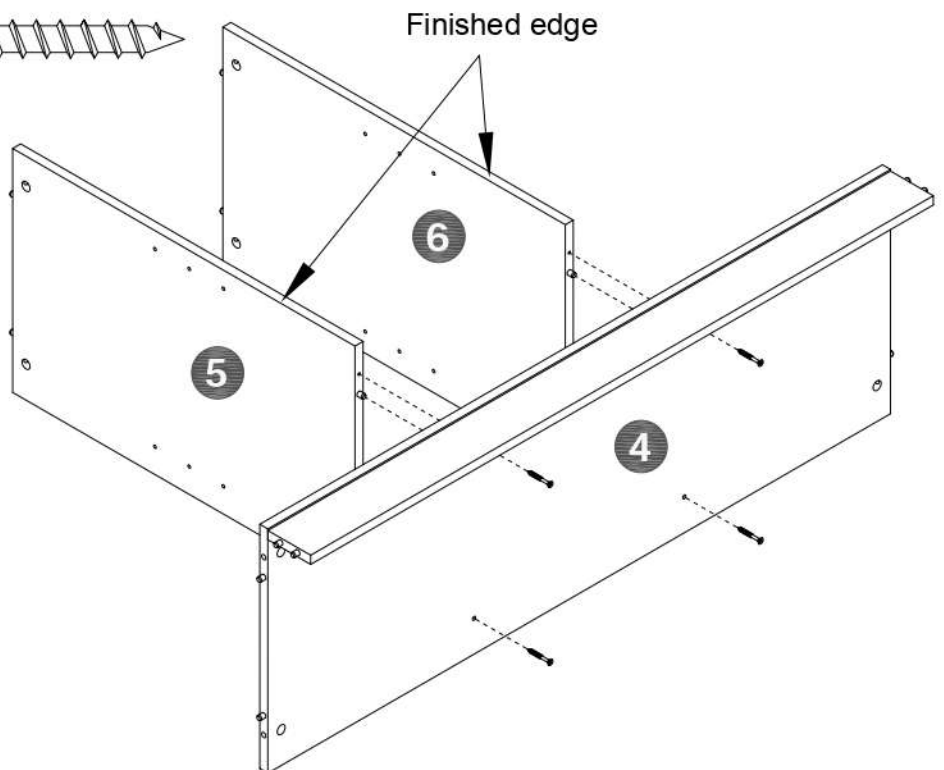
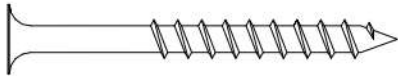
## STEP 2

**B** x 3pcs



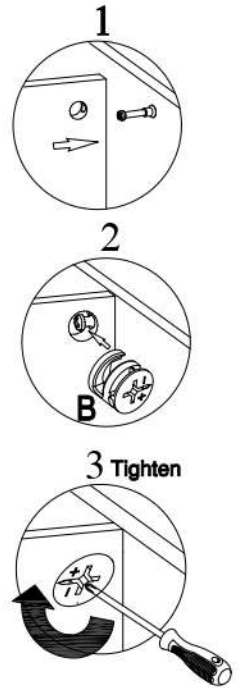
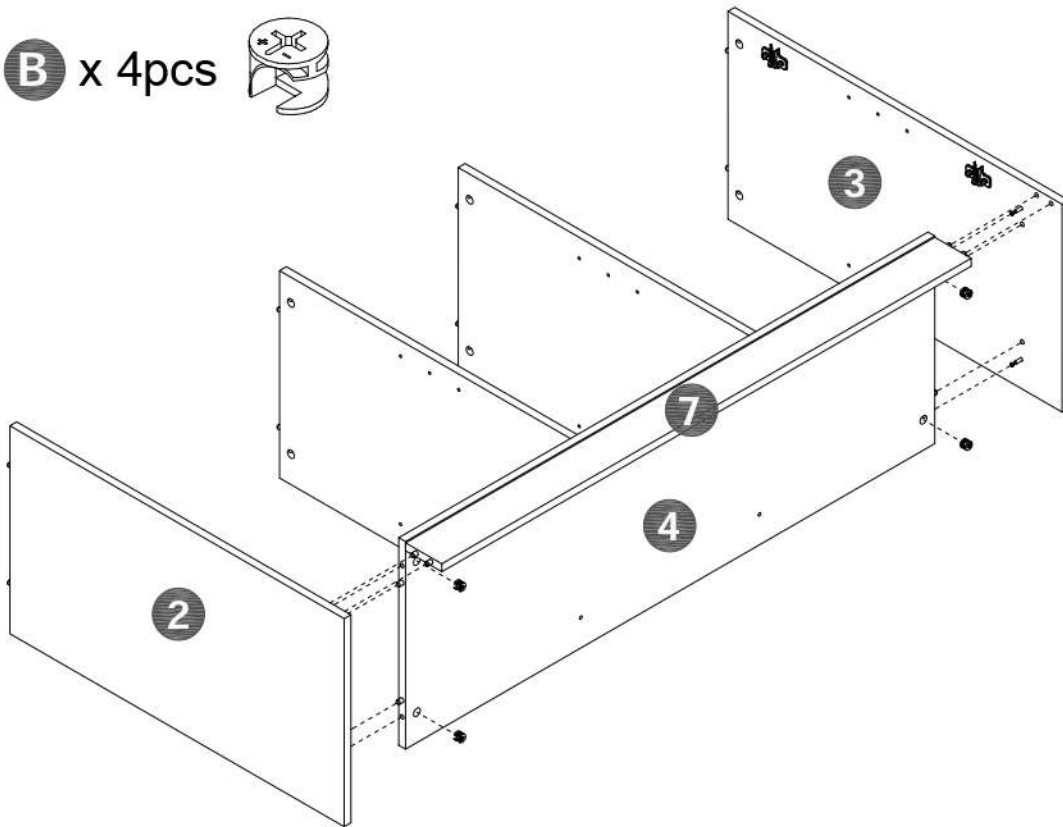
## STEP 3

**I** x 4pcs



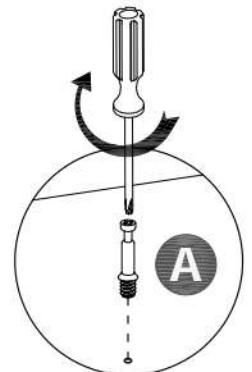
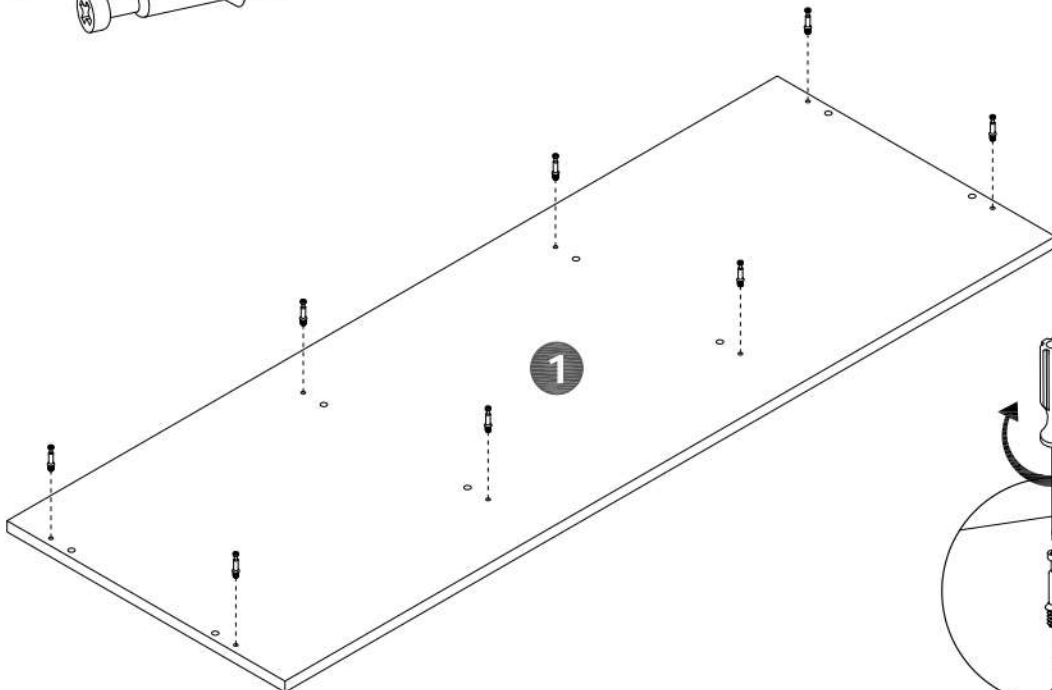
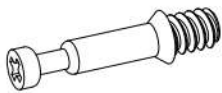
## STEP 4

**B** x 4pcs



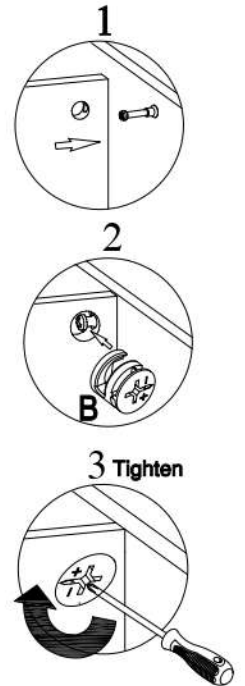
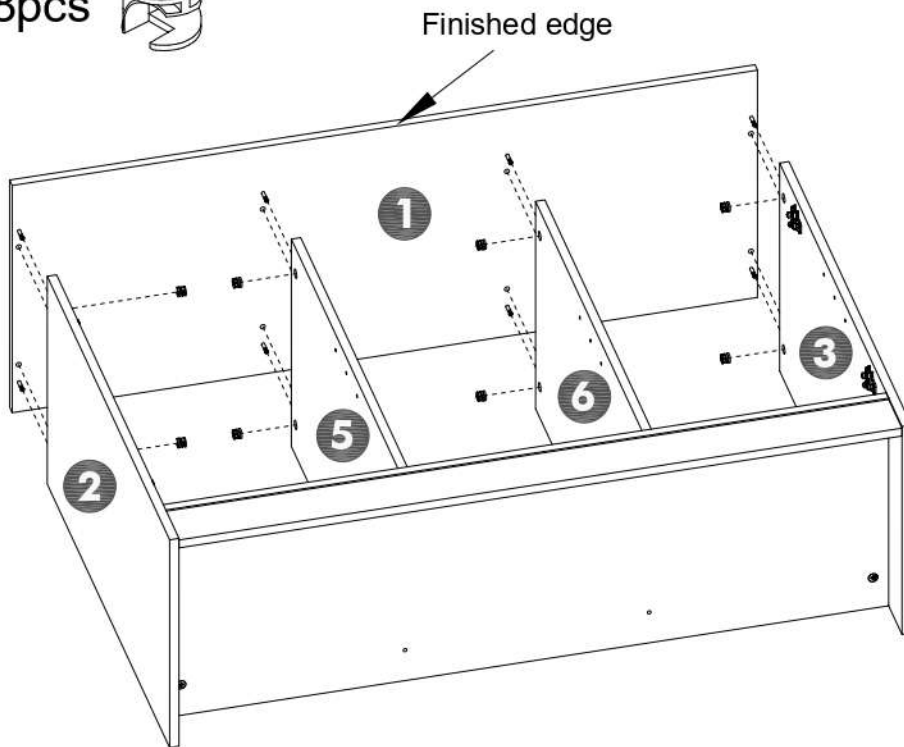
## STEP 5

**A** x 8pcs



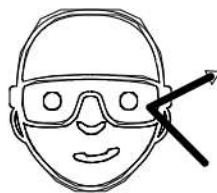
## STEP 6

**B** x 8pcs



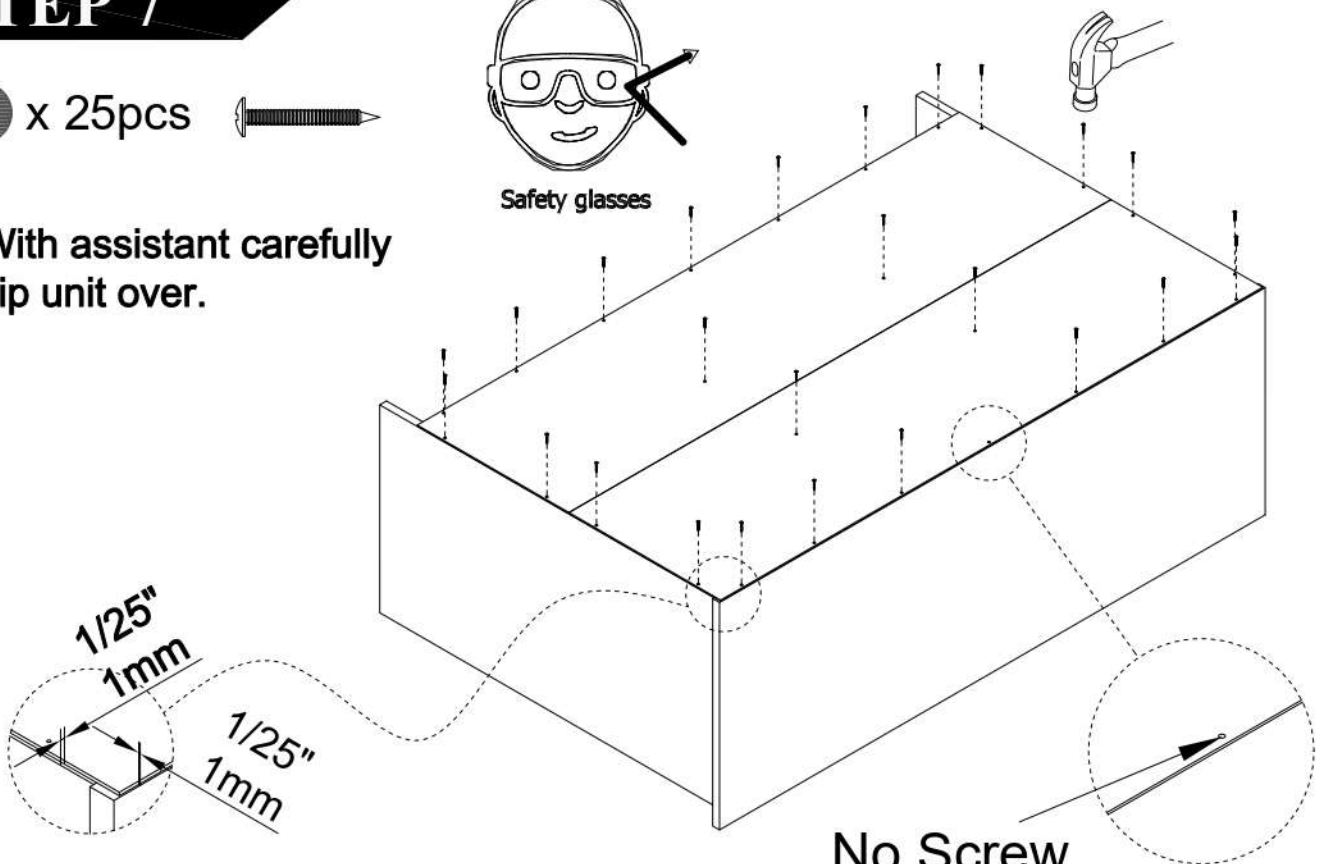
## STEP 7

**K** x 25pcs



Safety glasses

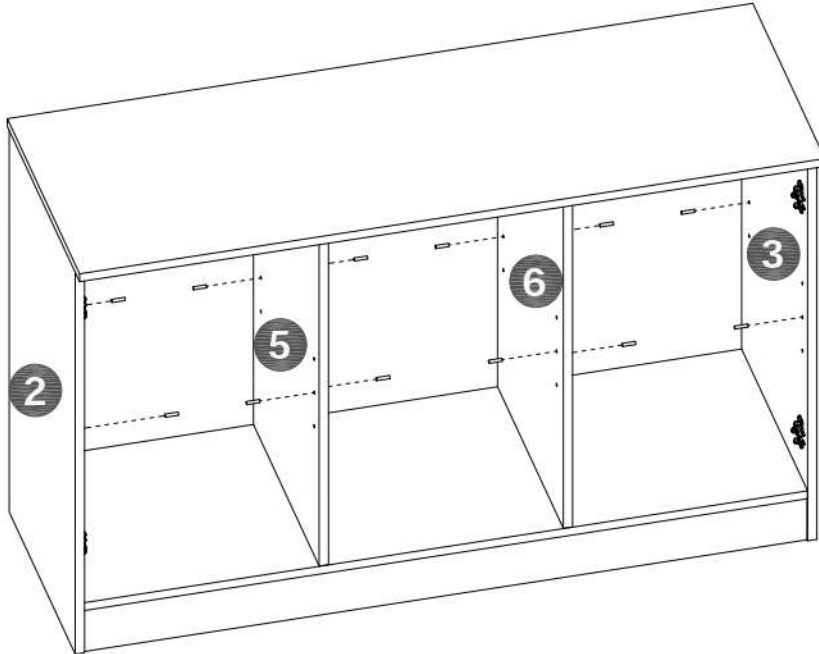
With assistant carefully flip unit over.



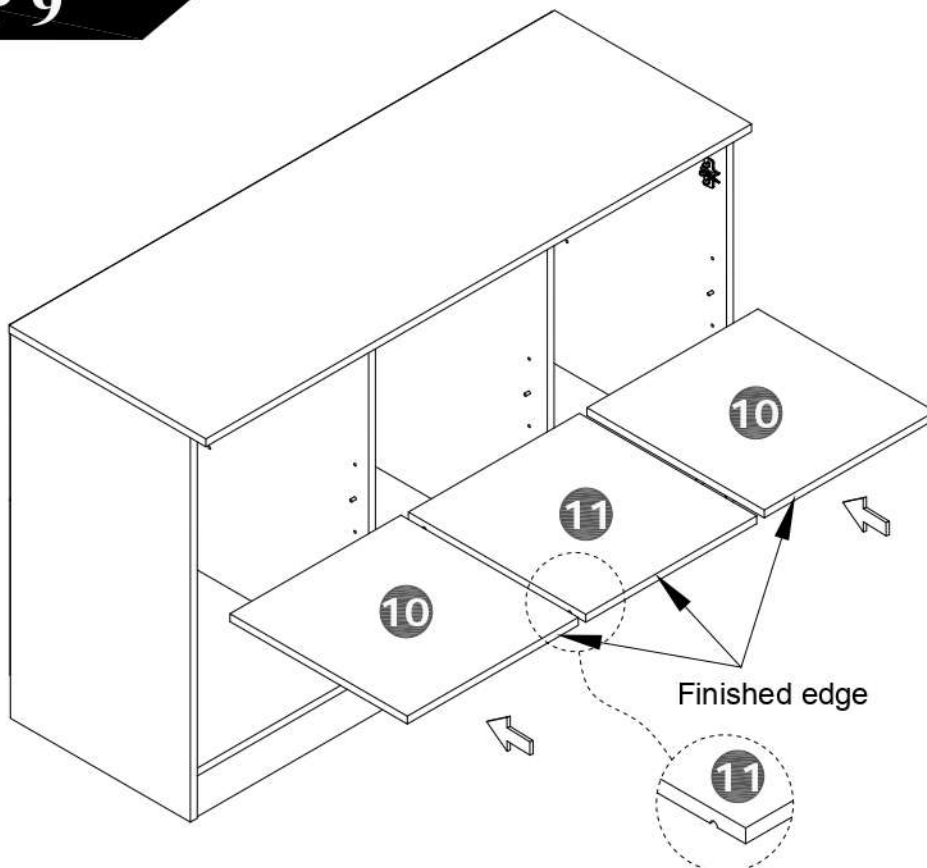
## STEP 8

**G** x 12pcs 

With assistant carefully stand unit up.



## STEP 9

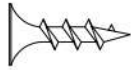


# STEP 10

**D** x 4pcs



**J** x 8pcs



**F** x 2pcs

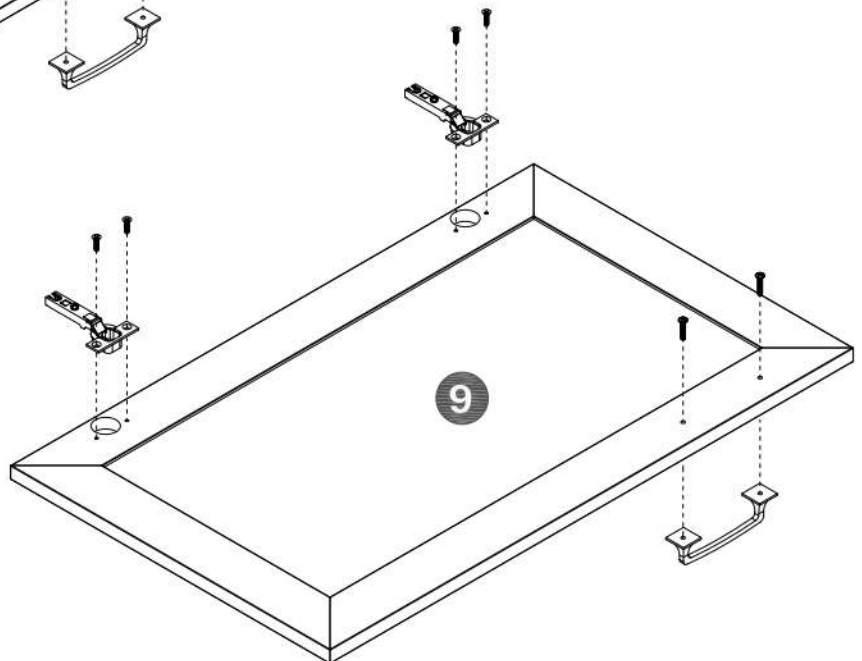
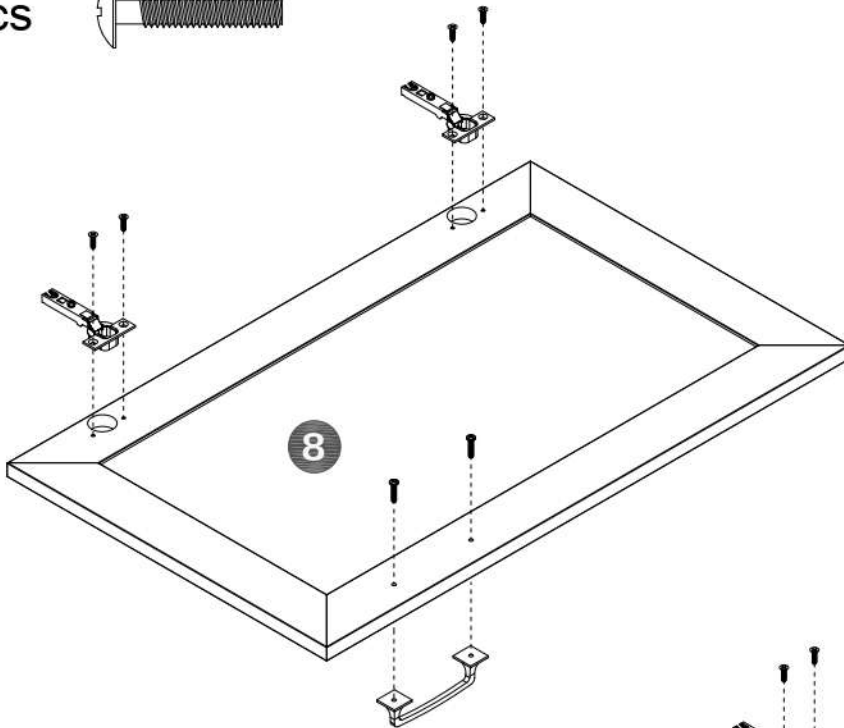


**H** x 4pcs



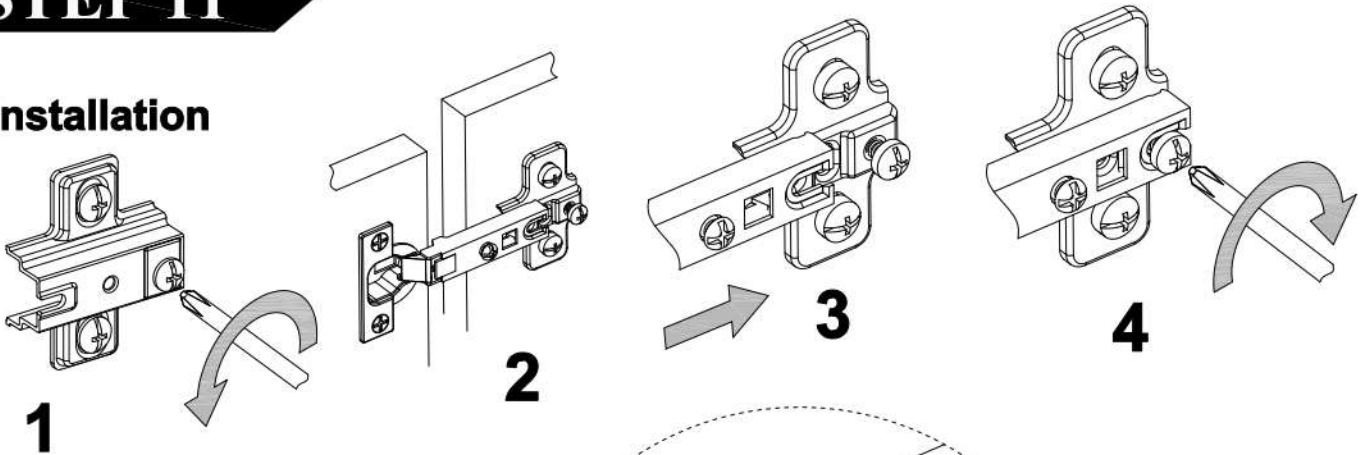
## **WARNING**

Caution, Storing electronic equipment may result in equipment overheating. Shelves located behind doors are not intended for storing electronic equipment. Placing electronic equipment in this area may result in equipment overheating

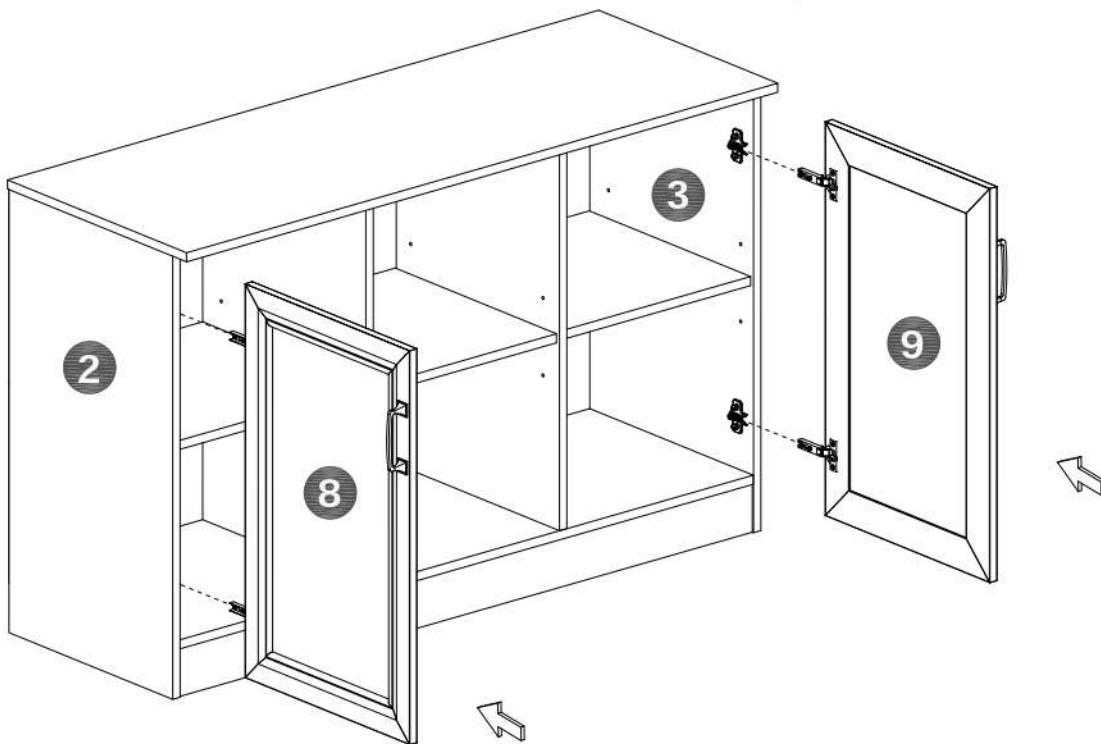
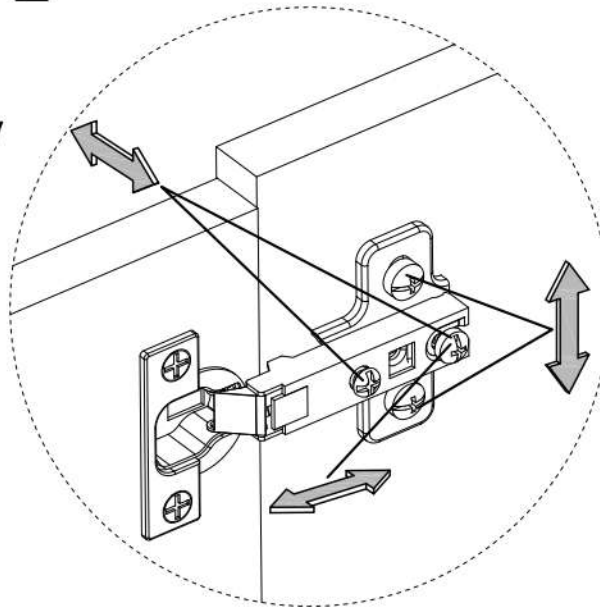


# STEP 11

## Installation



With assistant carefully stand unit up.



## STEP 12

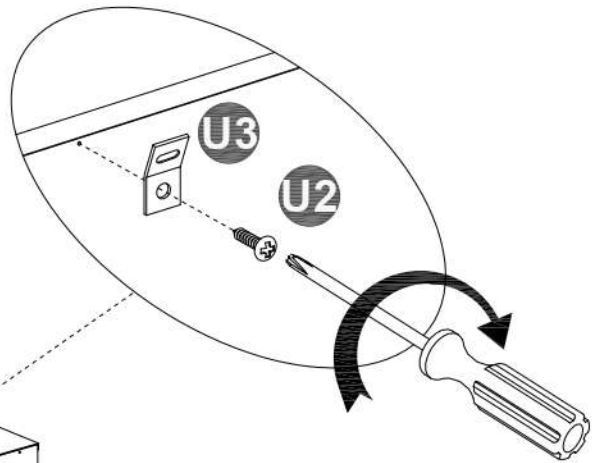
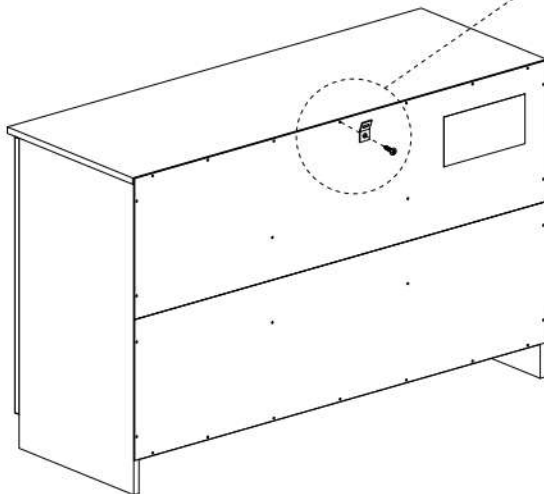
U2 x 1pc



U3 x 1pc

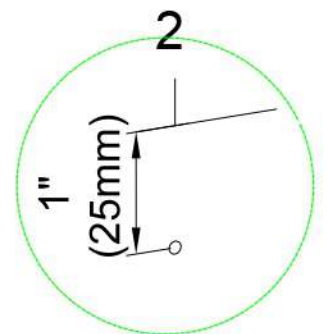
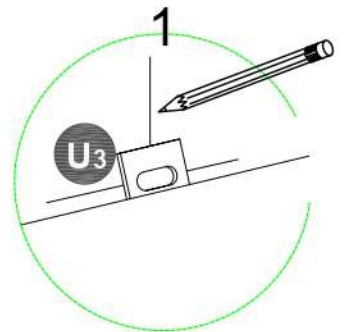
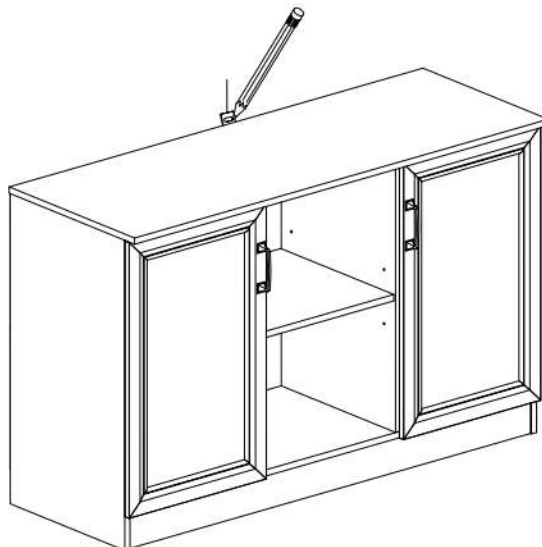


Connecting Plate



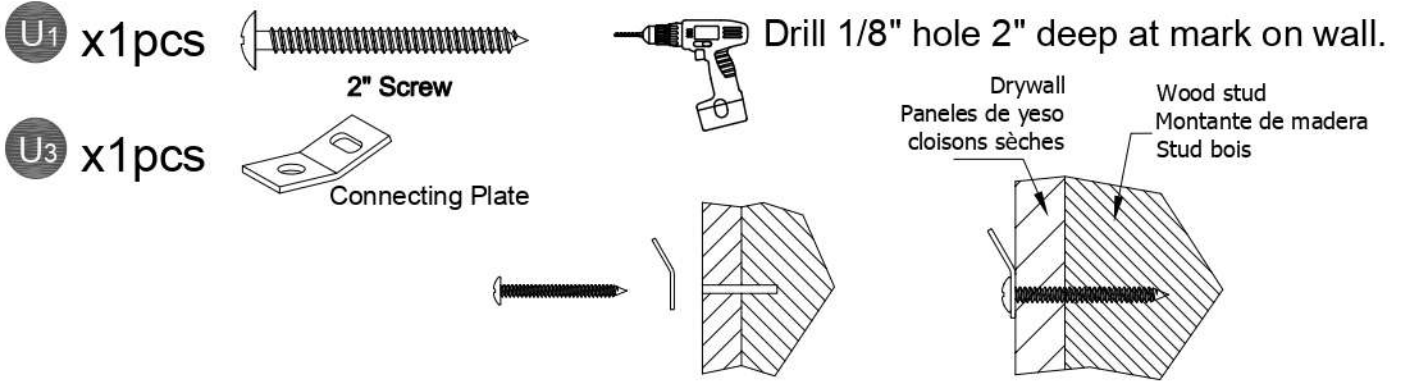
## STEP 13

1. Place unit in desired location.
2. Locate wall stud nearest unit center.
3. On wall, mark center of stud location 1" below top of unit.
4. If a wall stud cannot be located mark hollow wall at unit center.

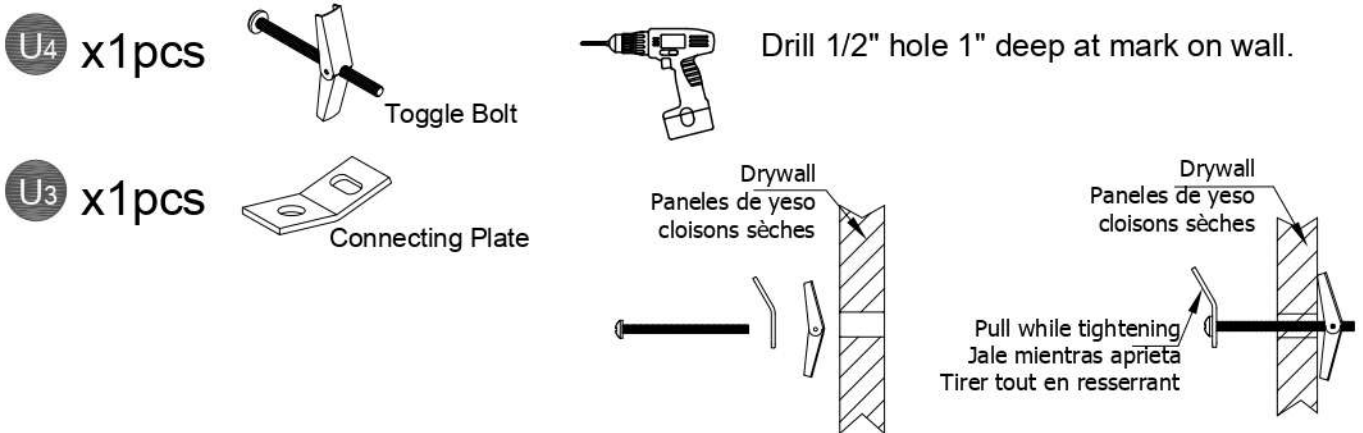


# STEP 14

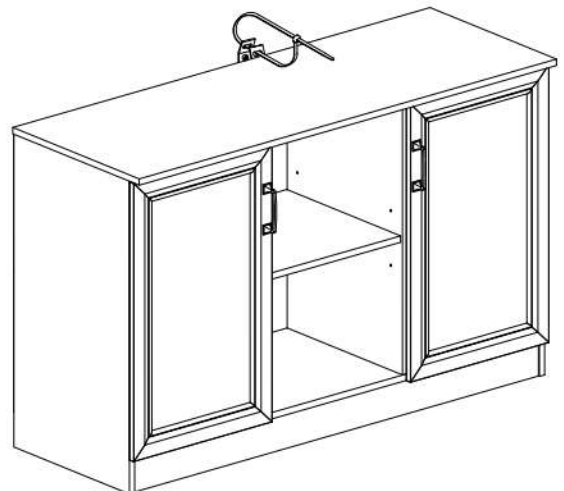
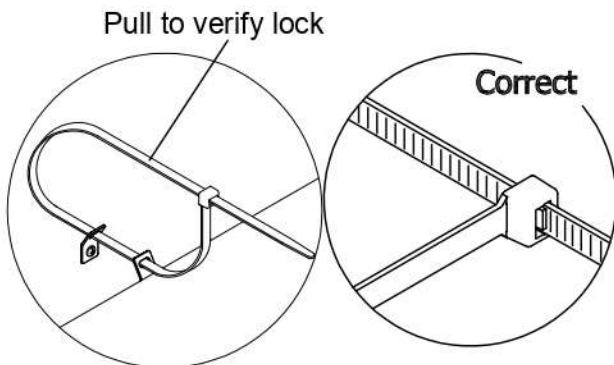
## WALL STUD ATTACHMENT



## HOLLOW WALL ATTACHMENT

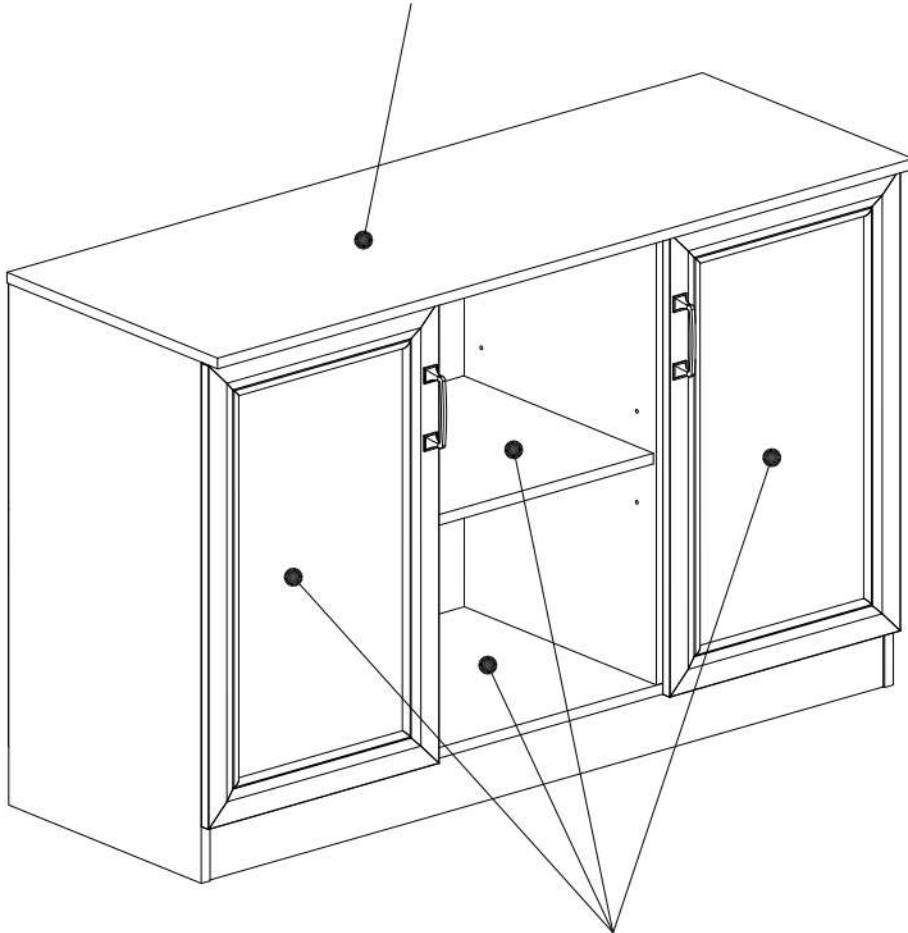


# STEP 15



## Maximum weight capacities

**MAXIMUM WEIGHT: 99 LBS (45 KG)**



**MAXIMUM WEIGHT: 22 LBS (10 KG)**